

PLEASE CHECK WWW.MOLEX.COM FOR LATEST PART INFORMATION

Part Number: [501594411](#)
Status: **Active**
Overview: [slimstack_mm016_pitch](#)
Description: 0.40mm (.016") Pitch Board-to-Board SlimStack™ Plug, SMT, Dual Row, Vertical Stacking, 0.90mm (.035") Stacking Height, With Solder Tabs, 44 Circuits

Documents:

[3D Model](#) [Product Specification PS-501591-002 \(PDF\)](#)
[Drawing \(PDF\)](#) [RoHS Certificate of Compliance \(PDF\)](#)

General

Product Family	PCB Headers
Series	501594
Application	Board-to-Board
Overview	slimstack_mm016_pitch
Product Name	SlimStack™

Physical

Breakaway	No
Circuits (Loaded)	44
Color - Resin	Black
Durability (mating cycles max)	20
Glow-Wire Compliant	No
Lock to Mating Part	Yes
Mated Height (in)	0.035 In
Mated Height (mm)	0.90 mm
Material - Metal	Phosphor Bronze
Material - Plating Mating	Gold
Number of Rows	2
Orientation	Vertical
PCB Locator	No
PCB Retention	Yes
Packaging Type	Embossed Tape on Reel
Pitch - Mating Interface (in)	0.016 In
Pitch - Mating Interface (mm)	0.40 mm
Polarized to Mating Part	No
Polarized to PCB	No
Stackable	No
Surface Mount Compatible (SMC)	Yes
Temperature Range - Operating	-25°C to +85°C
Termination Interface: Style	Surface Mount

Electrical

Current - Maximum per Contact	0.3A
Voltage - Maximum	50V AC (RMS)/DC

Material Info

Reference - Drawing Numbers

Packaging Specification	SPK-501594-001
Product Specification	PS-501591-002, RPS-501591-010, RPS-501591-012, RPS-501591-016, RPS-501591-019, RPS-501591-020
Sales Drawing	SD-501594-005, SD-501594-006

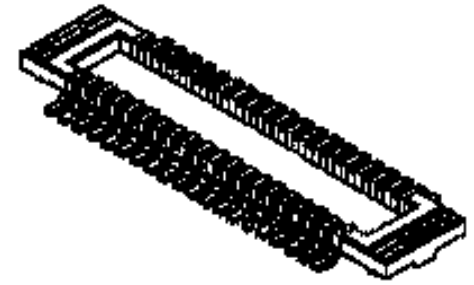


image - Reference only

Series

EU RoHS

ELV and RoHS Compliant
REACH SVHC
 Not Reviewed
Halogen-Free Status
 Not Reviewed

China RoHS



Need more information on product environmental compliance?

Email productcompliance@molex.com
 For a multiple part number RoHS Certificate of Compliance, [click here](#)

Please visit the [Contact Us](#) section for any non-product compliance questions.

Search Parts in this Series

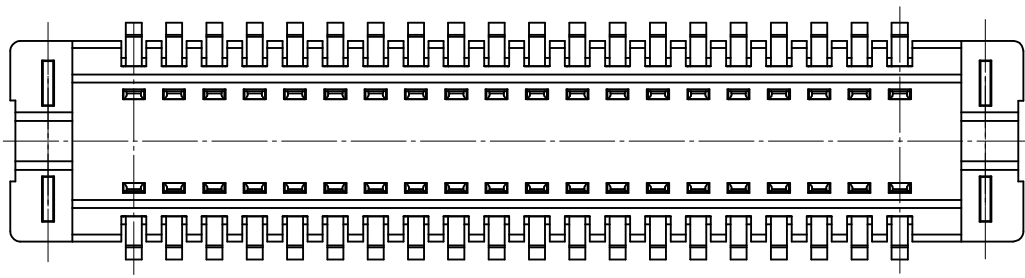
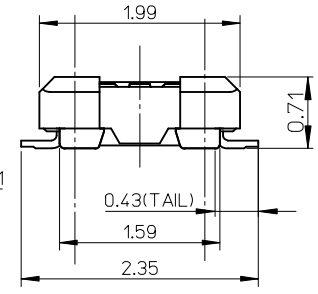
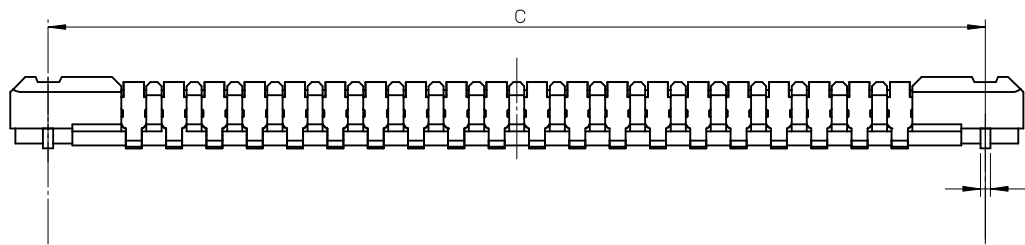
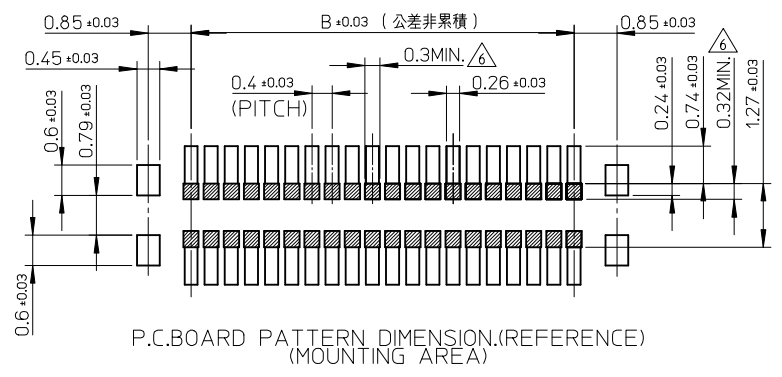
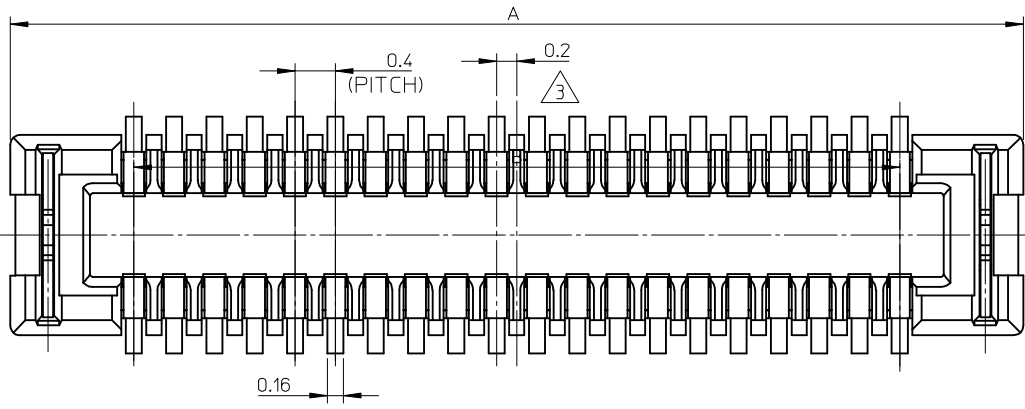
[501594Series](#)

Mates With

[501591](#) SlimStack™ Board-to-Board Receptacle

PLEASE CHECK WWW.MOLEX.COM FOR LATEST PART INFORMATION

10 9 8 7 6 5 4 3 2 1



15.3	13.6	16.05	501594-7011	501594-7010	70
12.1	10.4	12.85	501594-5411	501594-5410	54
11.3	9.6	12.05	501594-5011	501594-5010	50
10.1	8.4	10.85	501594-4411	501594-4410	44
9.3	7.6	10.05	501594-4011	501594-4010	40
8.1	6.4	8.85	501594-3411	501594-3410	34
7.3	5.6	8.05	501594-3011	501594-3010	30
6.5	4.8	7.25	501594-2611	501594-2610	26
6.1	4.4	6.85	501594-2411	501594-2410	24
5.7	4.0	6.45	501594-2211	501594-2210	22
5.3	3.6	6.05	501594-2011	501594-2010	20
3.7	2.0	4.45	501594-1211	501594-1210	12
3.3	1.6	4.05	501594-1011	501594-1010	10
C	B	A	EMBOSSED TAPE PACKAGE	MATERIAL NO.	CIRCUIT
			ORDER No.		

REVISED EC NO: J2008-3370 DRW:KSEI 2008/06/17 CHK:D:MSASAO 2008/06/17 APPR:MSASAO 2008/06/25	GENERAL TOLERANCES (UNLESS SPECIFIED)		DIMENSION STYLE MM ONLY		SCALE ---	DESIGN UNITS METRIC		THIRD ANGLE PROJECTION		
	10 UNDER ±0.2	10 OVER 30 UNDER ±0.25	30 OVER ±0.3	DRAWN BY T. ASAKAWA	DATE 2006/07/10	TITLE 0.4MM PITCH B/B CONN. H=0.9 W=3.4 PLUG ASSY				
	ANGULAR ±3 °			CHECKED BY M. SASAO	DATE 2006/07/10	MOLEX INCORPORATED				
	DRAFT WHERE APPLICABLE MUST REMAIN WITHIN DIMENSIONS			APPROVED BY M. SASAO	DATE 2006/07/10	MATERIAL NO. SEE TABLE	DOCUMENT NO. SD-501594-005	SHEET NO. 1 OF 2		

注記 NOTES

1.使用材料
MATERIAL

ハウジング：液晶ポリマー (LCP) ガラス充填 UL-94V-0 (黒)
HOSING : LIQUID CRYSTAL POLYMER (GLASS FILLED) UL94V-0 (COLOR:BLACK)

ターミナル：りん青銅 (t=0.08)
TERMINAL : PHOSHOR BRONZE (t=0.08)

金具：りん青銅 (t=0.1)
FITTING NAIL : PHOSHOR BRONZE (t=0.1)

2.メッキ仕様
PLATING

ターミナル
TERMINAL

金メッキ 0.1マイクロメートル以上 (コンタクト部)
GOLD 0.1 MICROMETER MINIMUM (CONTACT AREA)

金メッキ 0.03マイクロメートル以上 (テール部)
GOLD 0.03 MICROMETER MINIMUM (TAIL AREA)

下地メッキ：ニッケルメッキ 1.0 マイクロメートル以上
UNDER PLATING : NICKEL 1.0 MICROMETER MINIMUM

金具
FITTING NAIL

錫メッキ :1.0マイクロメートル以上
TIN PLATING :1.0 MICROMETER MINIMUM

下地メッキ :ニッケル1.0マイクロメートル以上
UNDER PLATING :NICKEL 1.0 MICROMETER MINIMUM

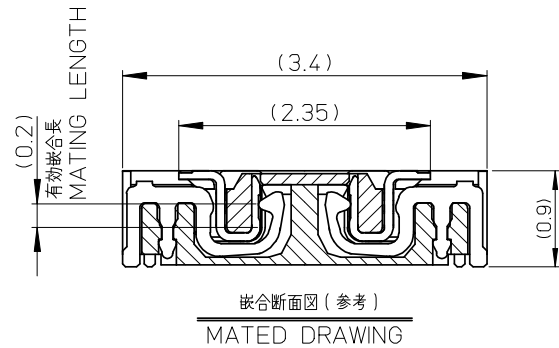
③ (全極数/2)=偶数の場合に適用
APPLY FOR (CIRCUIT/2)=EVEN

4.嵌合相手 : 501591-**10シリーズ
WITH MATE : 501591-**10SERIES

5.テール及び金具の平坦度は、0.1以下
TAIL AND FITTING NAIL COPLANARITY TO BE 0.1 MAXIMUM

⑥ 斜線部はパターン書き込み禁止範囲と半田禁止範囲を示す。
ただし、斜線部に同一配線を配置する場合はレジストを施し、この部分に半田は無きこと。
NO PATTERN CIRCUIT AND NO SOLDER ALLOWED IN THE SHADED AREA.
HOWEVER, IF NEEDED TO ADD A TRACE OF THE SAME CIRCUIT, PUT THE SOLDER-RESIST,
YET NO SOLDER ALLOWED IN THE AREA.

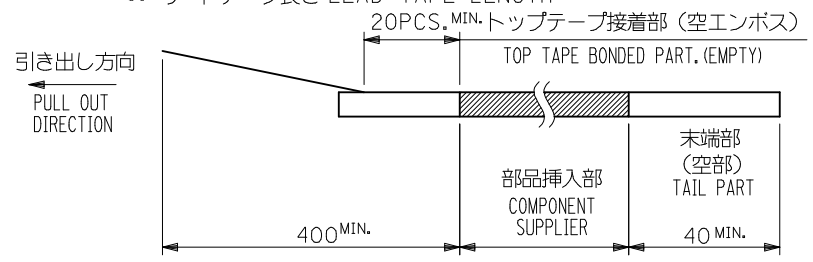
7.ELV AND RoHS COMPLIANT.



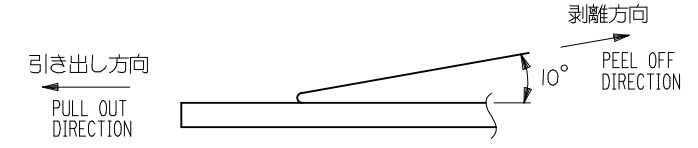
REVISED EC NO: J2008-3370 DRAWN:KSETO 2008/06/17 CHKD:MSASAO 2008/06/17 APPR:MSASAO 2008/06/25 DESCRIPTION	GENERAL TOLERANCES (UNLESS SPECIFIED)		DIMENSION STYLE MM ONLY		SCALE ---	DESIGN UNITS METRIC	THIRD ANGLE PROJECTION	
	10 UNDER	±0.2	DRAWN BY T. ASAKAWA	DATE 2006/07/10	TITLE 0.4MM PITCH B/B CONN. H=0.9 W=3.4 PLUG ASSY			
	10 OVER 30 UNDER	±0.25	CHECKED BY M. SASAO	DATE 2006/07/10				
	30 OVER	±0.3	APPROVED BY M. SASAO	DATE 2006/07/10	MOLEX INCORPORATED			
	ANGULAR	±3 °	MATERIAL NO.					
	DRAFT WHERE APPLICABLE MUST REMAIN WITHIN DIMENSIONS		SEE SHEET 1		SD-501594-005		2 OF 2	
SIZE A3 THIS DRAWING CONTAINS INFORMATION THAT IS PROPRIETARY TO MOLEX INCORPORATED AND SHOULD NOT BE USED WITHOUT WRITTEN PERMISSION								

NOTES

- 製品詳細寸法については製品単体図面を参照下さい。
RE DETAILED DIMENSION, SEE PRODUCT DRAWING.
- 梱包数量：3000 個/リール
NUMBER OF CONNECTORS : 3000 PCS/REEL
- リードテープ長さ LEAD TAPE LENGTH

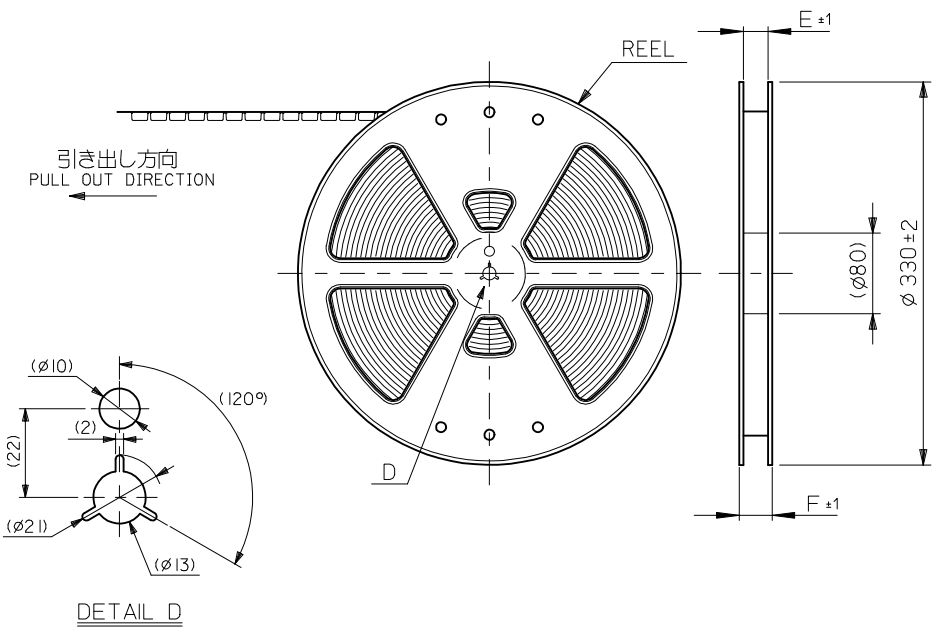


- トップテープの剥離強度：JES-59 参照
剥離方向は下図参照。
PEELING OFF STRENGTH OF TOP TAPE : REFER TO JES-59
PEELING DIRECTION AS SHOWN IN FOLLOWING FIGURE.



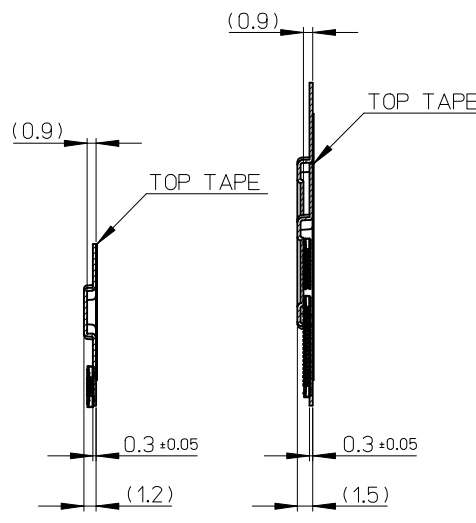
- 材料 MATERIAL
キャリアテープ (CARRIER TAPE) : ポリスチレン (POLYSTYRENE)
トップテープ (TOPTAPE) : PET , PE , PEF
リール (REEL) : ポリスチレン (PS) <リサイクル材を含む>
POLYSTYRENE (PS) <RECYCLE MATERIAL CONTAINED>

6.ELV AND RoHS COMPLIANT.



REVISED EC NO.: J2008-3370 2008/06/17 DRW:KSETO 2008/06/17 CHKD:MSASAO 2008/06/17 APPR:MSASAO 2008/06/25	DESCRIPTION D	GENERAL TOLERANCES (UNLESS SPECIFIED)		DIMENSION STYLE MM ONLY		SCALE ---	501594-**11	MODEL NO.	
		10 UNDER	±0.2	DRAWN BY TASAKAWA	DATE 2006/07/10	TITLE	0.4MM PITCH B/B CONN. PLUG ASSY (HGT=0.9) EMBSTP PKG		
		10 OVER 30 UNDER	±0.25	CHECKED BY MSASAO	DATE 2006/07/10	MOLEX INCORPORATED			
		30 OVER	±0.3	APPROVED BY MSASAO	DATE 2006/07/10				
ANGULAR ±3 °		DRAFT WHERE APPLICABLE MUST REMAIN WITHIN DIMENSIONS		MATERIAL NO. SEE SHEET 1		DOCUMENT NO. SD-501594-006		SHEET NO. 1 OF 2	
THIS DRAWING CONTAINS INFORMATION THAT IS PROPRIETARY TO MOLEX INCORPORATED AND SHOULD NOT BE USED WITHOUT WRITTEN PERMISSION									

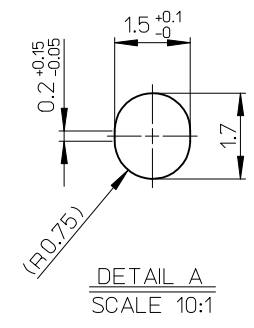
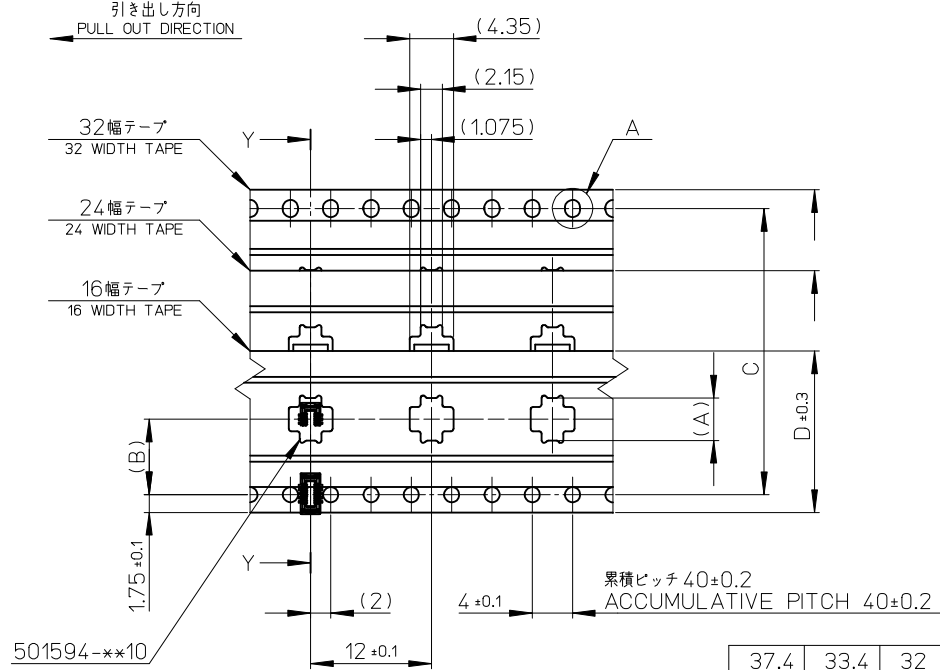
10 9 8 7 6 5 4 3 2 1



SECT Y-Y
(FOR 16 WIDTH TAPE)

SECT Y-Y
(FOR 24 WIDTH TAPE AND 32 WIDTH TAPE)

引き出し方向
PULL OUT DIRECTION



37.4	33.4	32	28.4	14.2	16.21	501594-7011	70
29.4	25.4	24	—	11.5	13.01	501594-5411	54
					12.21	501594-5011	50
					11.01	501594-4411	44
					10.21	501594-4011	40
					9.01	501594-3411	34
					8.21	501594-3011	30
					7.41	501594-2611	26
21.4	17.4	16	—	7.5	7.01	501594-2411	24
					6.61	501594-2211	22
F	E	D	C	(B)	6.21	501594-2011	20
					4.61	501594-1211	12
					4.21	501594-1011	10
					(A)	MATERIAL NO.	極数 CKT.

REVISED EC NO: J2008-3370 DRW:KSETO 2008/06/17 CHK:D:MSASAO 2008/06/17 APPR:MSASAO 2008/06/25 REV:	GENERAL TOLERANCES (UNLESS SPECIFIED)		DIMENSION STYLE MM ONLY		SCALE ---	DESIGN UNITS METRIC	501594-**11	MODEL NO.
	10 UNDER	± 0.2	DRAWN BY TASAKAWA	DATE 2006/07/10	TITLE 0.4MM PITCH B/B CONN. PLUG ASSY (HGT=0.9) EMBSTP PKG			
	10 OVER 30 UNDER	± 0.25	CHECKED BY MSASAO	DATE 2006/07/10	APPROVED BY MSASAO 2006/07/10			
	30 OVER	± 0.3	APPROVED BY MSASAO 2006/07/10		MATERIAL NO. SEE TABLE			
	ANGULAR ± 3 °		DRAFT WHERE APPLICABLE MUST REMAIN WITHIN DIMENSIONS		DOCUMENT NO. SD-501594-006		SHEET NO. 2 OF 2	