

PLEASE CHECK WWW.MOLEX.COM FOR LATEST PART INFORMATION

Part Number: [0877469011](#)
Status: **Active**
Description: 1.00mm (.039") Pitch DDR-II DIMM Socket, Vertical, Press-fit, 1.8V Center Keys, 3.30mm (.130") Tail Length, Beige Latches, 240 Circuits, 0.76µm(30µ") Selective Gold(Au) Plating, Lead-free

Documents:

[3D Model](#)
[Drawing \(PDF\)](#)

[RoHS Certificate of Compliance \(PDF\)](#)

General

Product Family	Memory Module Sockets
Series	87746
Comments	Latches in Beige
Component Type	Socket
JEDEC Outline	MO-237
Product Name	DDR2 DIMM

Physical

Circuits (Loaded)	240
Color - Resin	Black, Natural
Durability (mating cycles max)	25
Entry Angle	Vertical (Top Entry)
Keying to Mating Part	Yes
Material - Metal	Phosphor Bronze
Material - Plating Mating	Gold
Material - Plating Termination	Tin
Material - Resin	High Temperature Thermoplastic
PC Tail Length (in)	0.130 In
PC Tail Length (mm)	3.30 mm
PCB Locator	Yes
PCB Retention	Yes
PCB Thickness Recommended (in)	0.140 In
PCB Thickness Recommended (mm)	3.60 mm
Packaging Type	Tray
Pitch - Mating Interface (in)	0.039 In
Pitch - Mating Interface (mm)	1.00 mm
Plating min: Mating (µin)	30
Plating min: Mating (µm)	0.76
Plating min: Termination (µin)	15
Plating min: Termination (µm)	0.38
Temperature Range - Operating	-55°C to +85°C
Termination Interface: Style	Through Hole - Compliant Pin

Electrical

Current - Maximum per Contact	0.5A
Voltage - Maximum	30V
Voltage Key	1.8V, Center

Material Info

Reference - Drawing Numbers

Sales Drawing	SD-87746-001
---------------	--------------

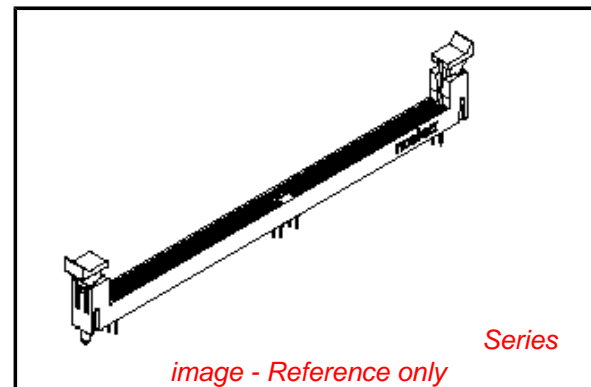


image - Reference only

EU RoHS

**ELV and RoHS
Compliant**
**REACH SVHC
Contains SVHC: No
Halogen-Free
Status**

China RoHS



**Need more information on product
environmental compliance?**

Email productcompliance@molex.com
 For a multiple part number RoHS Certificate of Compliance, [click here](#)

Please visit the [Contact Us](#) section for any non-product compliance questions.

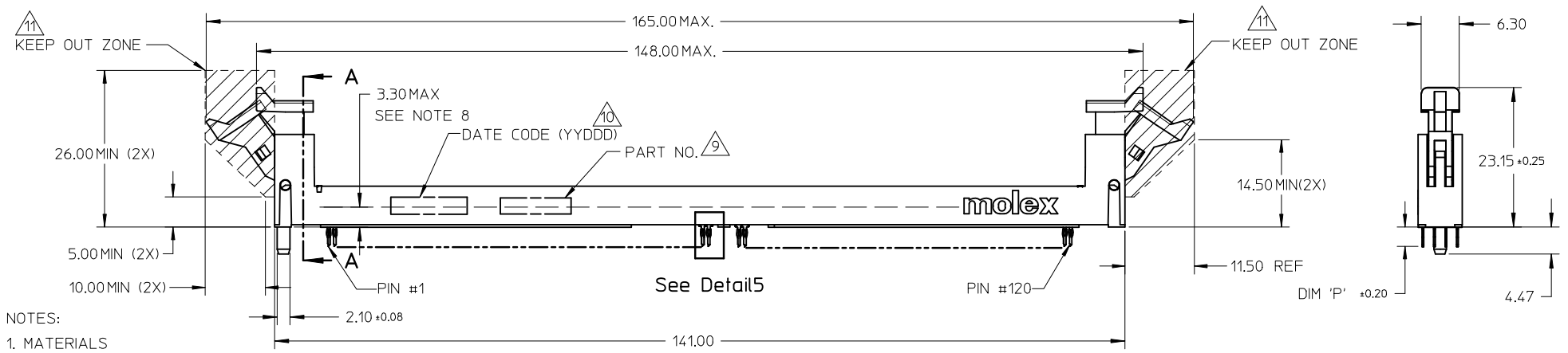
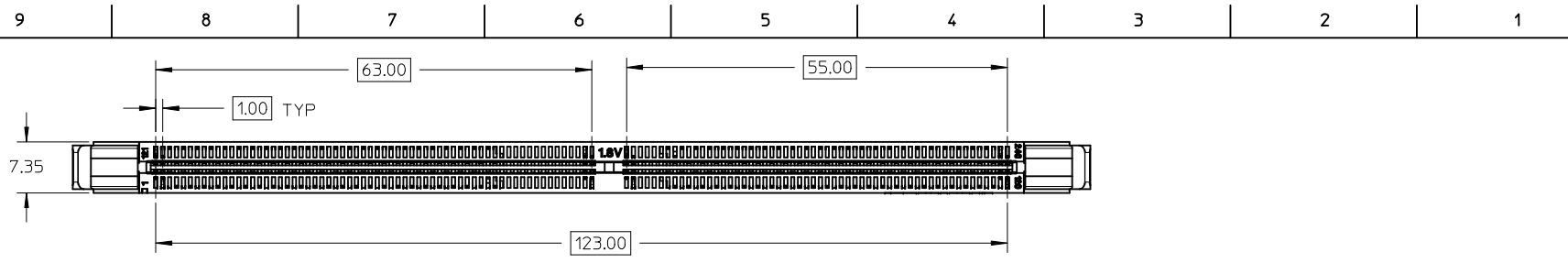
Search Parts in this Series

87746Series

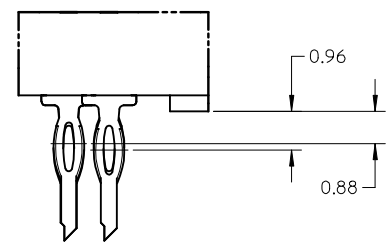
Mates With

JEDEC standard 1.27mm modules

PLEASE CHECK WWW.MOLEX.COM FOR LATEST PART INFORMATION



- NOTES:
- MATERIALS
HOUSING - HIGH TEMP. NYLON, GLASS-FILLED, UL 94V-0.
LATCH - HIGH TEMP. NYLON, GLASS-FILLED, UL 94V-0 - NATURAL
POLYSULFONE, UL 94HB - CLEAR
(COLOUR OF THE HOUSING AND LATCHES REFER TO TABLE ON SHEET 5 & 6).
TERMINAL - PHOSPHOR BRONZE
 - FINISHES - CONTACT AREA - SEE TABLE IN SHEET 5.
TAIL AREA - 15µIN(0.38µM) TO 60µIN(1.52µM) MIN.
90/10 TIN/LEAD OR TIN OVER 50µIN(1.27µM) MIN. NICKEL.
 - REFER TO PRODUCT SPEC. PS-87746-002 FOR PERFORMANCE SPECIFICATIONS.
 - PRODUCT SHALL BE PACKED IN TRAY.
 - CARD SLOT ACCEPTS 1.27±0.10 MM MODULE THICKNESS. (MEASURED OVER P.C. PADS)
 - RECOMMENDED MODULE LAYOUT SHALL BE AS PER JEDEC MO-237.
 - RECOMMENDED PLATING ON MODULE PADS: 30µIN(0.76µM) MIN. HARD GOLD OVER 79µIN(2µM) MIN. NICKEL.
 - DIMM MODULE SEATING PLANE FROM TOP OF PCB.
 - PART NUMBER SHALL BE MARKED LEGIBLY AS : 87746 XXXX
 - DATE CODE SHALL BE MARKED LEGIBLY AS SHOWN : YYDDD
 - KEEP OUT CROSS HATCHED ARE RESERVED FOR SOCKET EJECTORS AT BOTH ENDS.
 - KEEP OUT ZONE IS HEIGHT LIMITED PER 11.



Detail5

1. MATERIALS
2. FINISHES
3. REFER TO PRODUCT SPEC.
4. PRODUCT SHALL BE PACKED IN TRAY.
5. CARD SLOT ACCEPTS 1.27±0.10 MM MODULE THICKNESS. (MEASURED OVER P.C. PADS)
6. RECOMMENDED MODULE LAYOUT SHALL BE AS PER JEDEC MO-237.
7. RECOMMENDED PLATING ON MODULE PADS: 30µIN(0.76µM) MIN. HARD GOLD OVER 79µIN(2µM) MIN. NICKEL.
8. DIMM MODULE SEATING PLANE FROM TOP OF PCB.
9. PART NUMBER SHALL BE MARKED LEGIBLY AS : 87746 XXXX
10. DATE CODE SHALL BE MARKED LEGIBLY AS SHOWN : YYDDD
11. KEEP OUT CROSS HATCHED ARE RESERVED FOR SOCKET EJECTORS AT BOTH ENDS.
12. KEEP OUT ZONE IS HEIGHT LIMITED PER 11.

PART NO UPDATED EC NO: S2009-0883 DRWN: TARUMGHAM 2009/05/22 CHKD: CGTAN 2009/05/22 APPR: SHLENI 2009/05/25	QUALITY SYMBOLS ▽=0 ◻=0	GENERAL TOLERANCES (UNLESS SPECIFIED)		DIMENSION STYLE	SCALE	DESIGN UNITS	THIRD ANGLE PROJECTION	
				MM ONLY	NTS	METRIC		
				DRAWN BY	DATE	TITLE		
				CHEKED BY	DATE	DDR2 DIMM, 100MM PITCH 240 CKTS, VERT. PRESSFIT		
		APPROVED BY	DATE	MOLEX MOLEX INCORPORATED				
		ANGULAR ± 5 °		MATERIAL NO.	DOCUMENT NO.		SHEET NO.	
		DRAFT WHERE APPLICABLE MUST REMAIN WITHIN DIMENSIONS		SEE TABLE	SD-87746-001		1 OF 6	
		THIS DRAWING CONTAINS INFORMATION THAT IS PROPRIETARY TO MOLEX INCORPORATED AND SHOULD NOT BE USED WITHOUT WRITTEN PERMISSION						

10 9 8 7 6 5 4 3 2 1

F

E

D

C

B

A

F

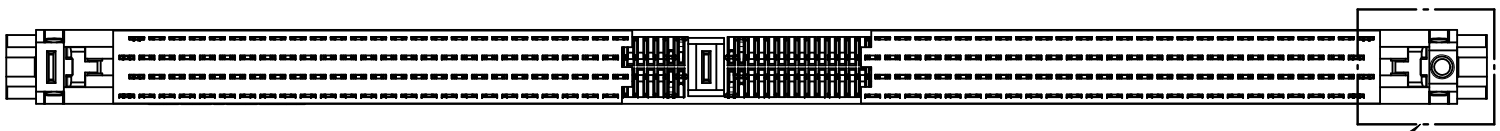
E

D

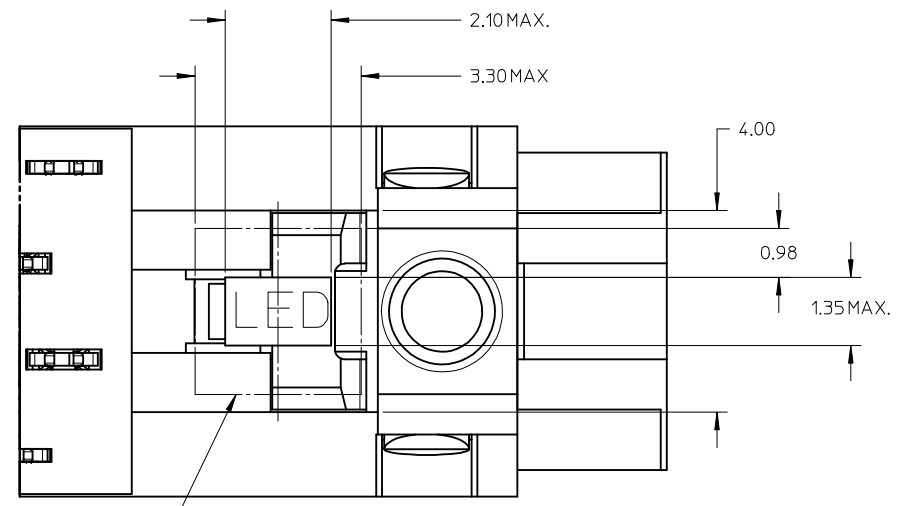
C

B

A

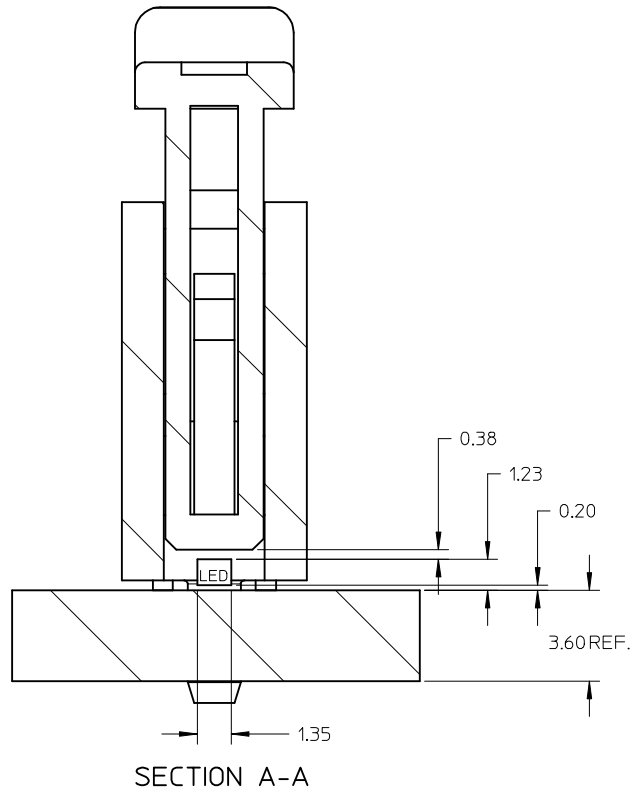


Detail3



Detail3

LED PLACEMENT AREA



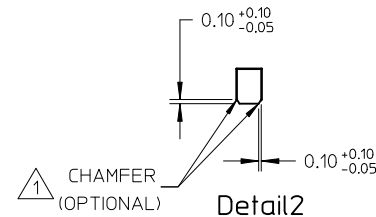
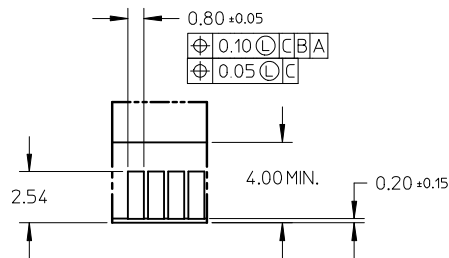
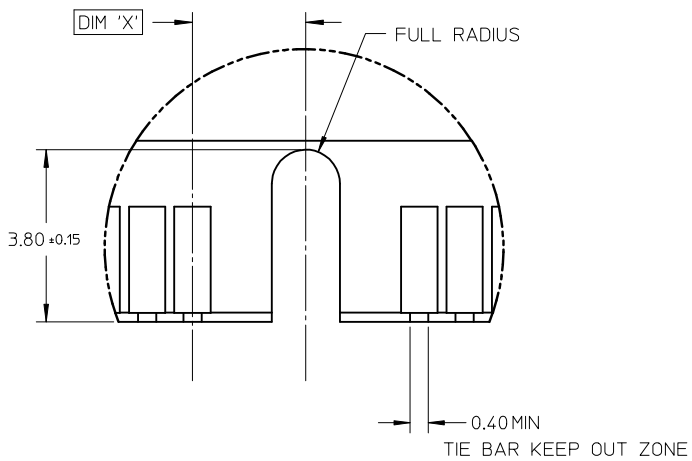
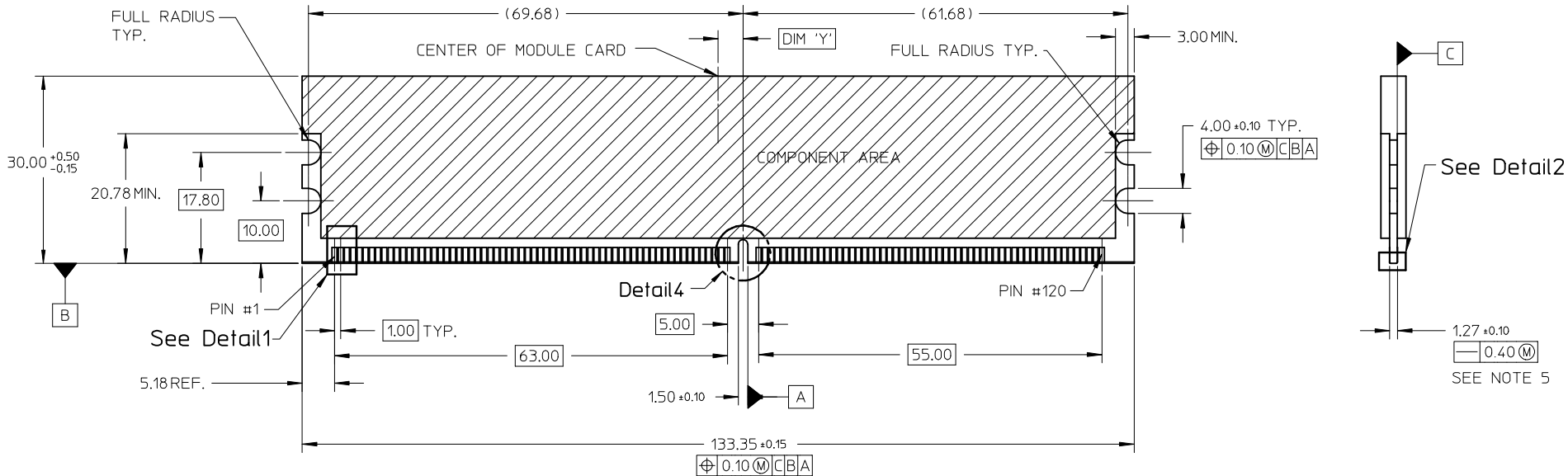
SECTION A-A

PART NO UPDATED EC NO: S2009-0883 DRWN: TARUUGHAM 2009/05/22 CHKD: CGTAN 2009/05/22 APPR: SILENI 2009/05/25	QUALITY SYMBOLS	GENERAL TOLERANCES (UNLESS SPECIFIED)		DIMENSION STYLE	SCALE	DESIGN UNITS	THIRD ANGLE PROJECTION		
	$\nabla=0$ $\sphericalangle=0$	mm	INCH	MM ONLY	NTS	METRIC			
		4 PLACES	± ---	± ---	DRAWN BY	DATE	TITLE		
		3 PLACES	± ---	± ---	CGOH	2002/06/13	DDR2 DIMM, 100MM PITCH		
		2 PLACES	± 0.20	± ---	CHECKED BY	DATE	240 CKTS, VERT. PRESSFIT		
	1 PLACE	± ---	± ---	DSOH	2002/08/07				
		ANGULAR ± 5 °		APPROVED BY	DATE				
		DRAFT WHERE APPLICABLE MUST REMAIN WITHIN DIMENSIONS		SKTOH	2002/08/08				
				MATERIAL NO.	DATE				
				SEE TABLE					
				SIZE	THIS DRAWING CONTAINS INFORMATION THAT IS PROPRIETARY TO MOLEX INCORPORATED AND SHOULD NOT BE USED WITHOUT WRITTEN PERMISSION				
				A3					
						MOLEX INCORPORATED		SHEET NO.	
						SD-87746-001		2 OF 6	

9 8 7 6 5 4 3 2 1

10 9 8 7 6 5 4 3 2 1

RECOMMENDED MODULE LAYOUT



Detail 4

Detail 1

Detail 2

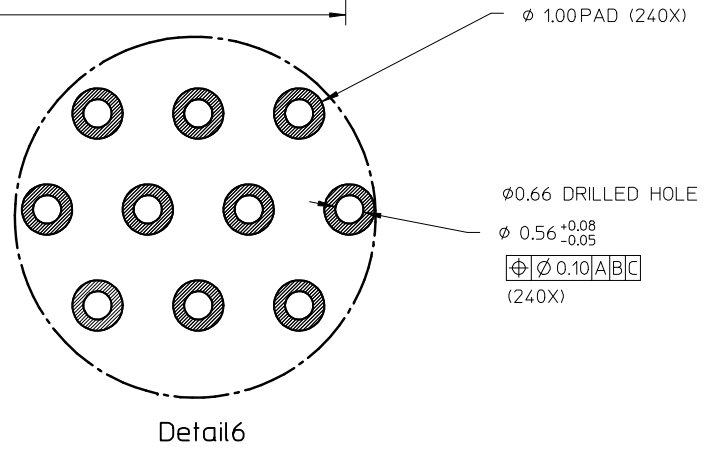
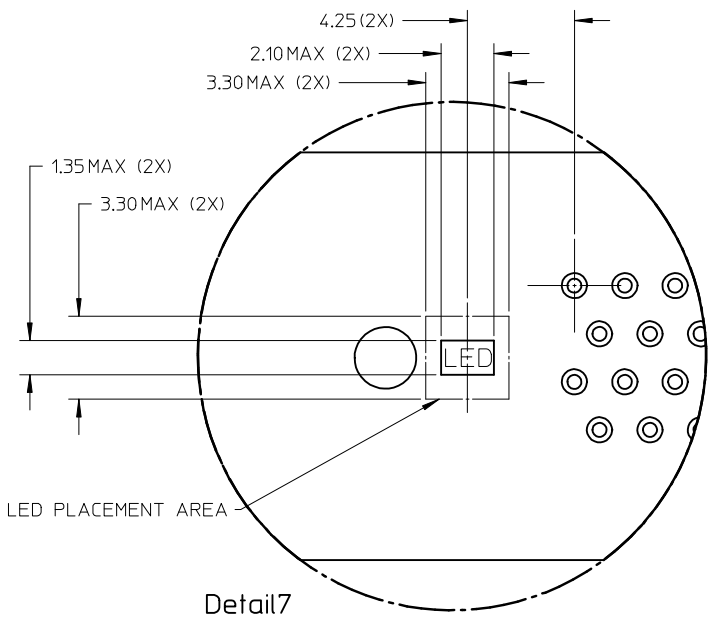
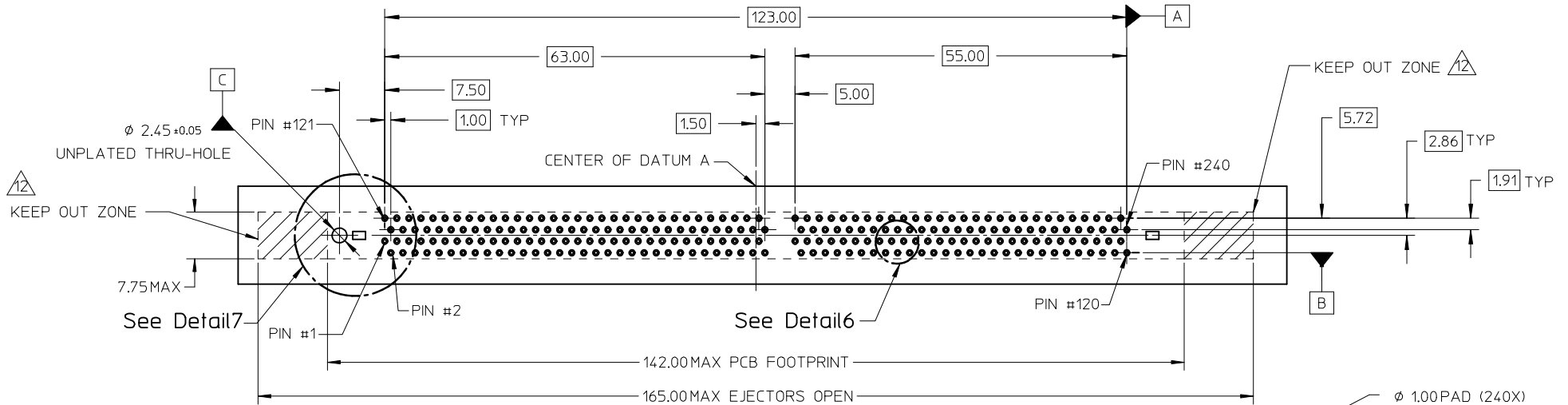
KEY LOCATION	VOLTAGE	DIM 'X'	DIM 'Y'
CENTER	1.8V	2.50	4.00

NOTES :
 1 MODULE CARD USED IN PRODUCT TESTING ARE CHAMFERED.

PART NO UPDATED EC NO: S2009-0883 DRWN: TARUNGHAM 2009/05/22 CHKD: CGTAN 2009/05/22 APPR: SHLENI 2009/05/25	QUALITY SYMBOLS	GENERAL TOLERANCES (UNLESS SPECIFIED)	DIMENSION STYLE	SCALE	DESIGN UNITS	THIRD ANGLE PROJECTION
	▽=0 C=0	mm INCH 4 PLACES ± --- ± --- 3 PLACES ± --- ± --- 2 PLACES ± 0.20 ± --- 1 PLACE ± --- ± --- ANGULAR ± 5 °	MM ONLY	NTS	METRIC	
	REV	DRAFT WHERE APPLICABLE MUST REMAIN WITHIN DIMENSIONS	DRAWN BY: CGOH DATE: 2002/06/13 CHECKED BY: DS0H DATE: 2002/08/07 APPROVED BY: SKTOH DATE: 2002/08/08	TITLE	DDR2 DIMM, 100MM PITCH 240 CKTS, VERT. PRESSFIT	
	D8	SIZE A3	MATERIAL NO. SEE TABLE	MOLEX INCORPORATED DOCUMENT NO. SD-87746-001	SHEET NO. 3 OF 6	

9 8 7 6 5 4 3 2 1

RECOMMENDED PCB HOLE PATTERN
SEE TABLE IN SHEET 5 FOR
RECOMMENDED PCB THICKNESS



PART NO UPDATED EC NO: S2009-0883 DRWN: TARUMIGHAM 2009/05/22 CHKD: CGTAN 2009/05/22 APPR: SILENI 2009/05/25	QUALITY SYMBOLS	GENERAL TOLERANCES (UNLESS SPECIFIED)		DIMENSION STYLE MM ONLY		SCALE NTS	DESIGN UNITS METRIC	THIRD ANGLE PROJECTION	
	▽=0 ∇=0			mm	INCH	DRAWN BY CGOH	DATE 2002/06/13	TITLE DDR2 DIMM, 100MM PITCH 240 CKTS, VERT. PRESSFIT	
		4 PLACES	± ---	± ---		CHECKED BY DSOH	DATE 2002/08/07	MOLEX INCORPORATED	
		3 PLACES	± ---	± ---		APPROVED BY SKTOH	DATE 2002/08/08	DOCUMENT NO. SD-87746-001	SHEET NO. 4 OF 6
D8	DESCRIPTION	DRAFT WHERE APPLICABLE MUST REMAIN WITHIN DIMENSIONS		SEE TABLE		THIS DRAWING CONTAINS INFORMATION THAT IS PROPRIETARY TO MOLEX INCORPORATED AND SHOULD NOT BE USED WITHOUT WRITTEN PERMISSION			

PART NO.	VOLTAGE KEY POS.	VOLTAGE KEY TEXT	TAIL LENGTH P±0.20	RECOMMENDED PCB THICKNESS	LUBRICATION	PLATING OPTION	LATCH COLOR	PLATING OPTION	HOUSING COLOR
87746-0001	CENTER	1.8V	4.20	4.57	NO	SELECTIVE GOLD 0.38µM/ 15µIN MIN. GOLD OVER 1.27µM/ 50µIN MIN. NICKEL			
87746-1001			3.30	3.60					
87746-0011	CENTER	1.8V	4.20	4.57	NO	SELECTIVE GOLD 0.76µM/ 30µIN MIN. GOLD OVER 1.27µM/ 50µIN MIN. NICKEL	NATURAL (OFF WHITE)		
87746-1011			3.30	3.60					
87746-0091	CENTER	1.8V	4.20	4.57	YES	SELECTIVE GOLD 0.76µM/ 30µIN MIN. GOLD OVER 1.27µM/ 50µIN MIN. NICKEL		TIN/LEAD	BLACK
87746-1091			3.30	3.60					
87746-5001	CENTER	1.8V	4.20	4.57	NO	SELECTIVE GOLD 0.38µM/ 15µIN MIN. GOLD OVER 1.27µM/ 50µIN MIN. NICKEL			
87746-5101			3.30	3.60					
87746-5011	CENTER	1.8V	4.20	4.57	NO	SELECTIVE GOLD 0.76µM/ 30µIN MIN. GOLD OVER 1.27µM/ 50µIN MIN. NICKEL	CLEAR		
87746-5111			3.30	3.60					
87746-5091	CENTER	1.8V	4.20	4.57	YES	SELECTIVE GOLD 0.76µM/ 30µIN MIN. GOLD OVER 1.27µM/ 50µIN MIN. NICKEL			
87746-5191			3.30	3.60					

PART NO UPDATED EC NO: S2009-0883 DRWN: TARUUGHAM 2009/05/22 CHKD: CGTAN 2009/05/22 APPR: SILENI 2009/05/25	QUALITY SYMBOLS	GENERAL TOLERANCES (UNLESS SPECIFIED)		DIMENSION STYLE MM ONLY		SCALE NTS	DESIGN UNITS METRIC	THIRD ANGLE PROJECTION		
	▼=0 ◻=0	mm	INCH	DRAWN BY	DATE	TITLE				
		4 PLACES ± --- ± ---	CGOH	2002/06/13	DDR2 DIMM, 100MM PITCH 240 CKTS, VERT. PRESSFIT					
		3 PLACES ± --- ± ---	CHECKED BY	DATE	MOLEX INCORPORATED					
		2 PLACES ± 0.20 ± ---	DSOH	2002/08/07	DOCUMENT NO. SD-87746-001					
	1 PLACE ± --- ± ---	APPROVED BY	DATE	SHEET NO. 5 OF 6						
	ANGULAR ± 5 °	SKTOH	2002/08/08	THIS DRAWING CONTAINS INFORMATION THAT IS PROPRIETARY TO MOLEX INCORPORATED AND SHOULD NOT BE USED WITHOUT WRITTEN PERMISSION						
		DRAFT WHERE APPLICABLE MUST REMAIN WITHIN DIMENSIONS		SEE TABLE						
		SIZE	A3							

PART NO.	VOLTAGE KEY POS.	VOLTAGE KEY TEXT	TAIL LENGTH P±0.20	RECOMMENDED PCB THICKNESS	LUBRICATION	PLATING OPTION	LATCH COLOR	PLATING OPTION	HOUSING COLOR
87746-8001	CENTER	1.8V	4.20	4.57	NO	SELECTIVE GOLD 0.38µM/ 15µIN MIN. GOLD OVER 1.27µM/ 50µIN MIN. NICKEL			
87746-9001			3.30	3.60					
87746-8011	CENTER	1.8V	4.20	4.57	NO	SELECTIVE GOLD 0.76µM/ 30µIN MIN. GOLD OVER 1.27µM/ 50µIN MIN. NICKEL	NATURAL (OFF WHITE)		
87746-9011			3.30	3.60					
87746-8091	CENTER	1.8V	4.20	4.57	YES	SELECTIVE GOLD 0.76µM/ 30µIN MIN. GOLD OVER 1.27µM/ 50µIN MIN. NICKEL		TIN	BLACK
87746-9091			3.30	3.60					
87746-5201	CENTER	1.8V	4.20	4.57	NO	SELECTIVE GOLD 0.38µM/ 15µIN MIN. GOLD OVER 1.27µM/ 50µIN MIN. NICKEL			
87746-5301			3.30	3.60					
87746-5211	CENTER	1.8V	4.20	4.57	NO	SELECTIVE GOLD 0.76µM/ 30µIN MIN. GOLD OVER 1.27µM/ 50µIN MIN. NICKEL	CLEAR		
87746-5311			3.30	3.60					
87746-5291	CENTER	1.8V	4.20	4.57	YES	SELECTIVE GOLD 0.76µM/ 30µIN MIN. GOLD OVER 1.27µM/ 50µIN MIN. NICKEL			
87746-5391			3.30	3.60					
87746-5381			3.30	3.60					BLUE

PART NO UPDATED EC NO: S2009-0883 DRWN: TARUUGHAM 2009/05/22 CHKD: CGTAN 2009/05/22 APPR: SILENI 2009/05/25	QUALITY SYMBOLS ▽=0 ◻=0	GENERAL TOLERANCES (UNLESS SPECIFIED)		DIMENSION STYLE MM ONLY		SCALE NTS	DESIGN UNITS METRIC	THIRD ANGLE PROJECTION		
			mm	INCH	DRAWN BY CGOH	DATE 2002/06/13	TITLE DDR2 DIMM, 100MM PITCH 240 CKTS, VERT. PRESSFIT			
		4 PLACES	± ---	± ---	CHECKED BY DSOH	DATE 2002/08/07	MOLEX INCORPORATED DOCUMENT NO. SD-87746-001			
		3 PLACES	± ---	± ---	APPROVED BY SKTOH	DATE 2002/08/08				
2 PLACES	± 0.20	± ---	DRAFT WHERE APPLICABLE MUST REMAIN WITHIN DIMENSIONS		SEE TABLE		THIS DRAWING CONTAINS INFORMATION THAT IS PROPRIETARY TO MOLEX INCORPORATED AND SHOULD NOT BE USED WITHOUT WRITTEN PERMISSION			
1 PLACE	± ---	± ---			SIZE A3					
		ANGULAR ± 5 °								