

PLEASE CHECK WWW.MOLEX.COM FOR LATEST PART INFORMATION

Part Number: **0474690001**
Status: **Active**
Description: 2.54mm (.100") Pitch Low Profile SIM Card Connector, 6 Circuits, Housing Height 1.03mm (.041"), 0.30µm (12µ") Gold (Au) Plating over 1.27µm (50 µ") Nickel on Contact Area

Documents:

[3D Model](#) [Product Specification PS-47469-001 \(PDF\)](#)
[Drawing \(PDF\)](#) [RoHS Certificate of Compliance \(PDF\)](#)

General

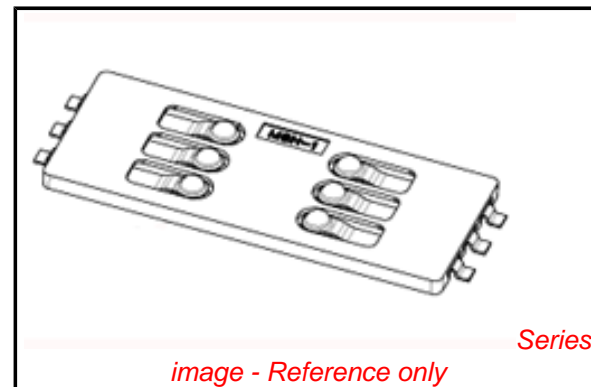
Product Family	Memory Card Sockets
Series	<u>47469</u>
Button Type	N/A
Comments	0.60mm (.024") Contact Height above Top Housing Surface
Component Type	Header/Socket (Host)
Product Name	SIM
Type	N/A

Physical

Card Detection Switch	No
Circuits (Loaded)	6
Circuits (maximum)	6
Color - Resin	Black
Durability (mating cycles max)	500
Ejector Button Side	No Ejector Button Present
Entry Angle	90° Angle
Keying to Mating Part	None
Material - Metal	Copper Alloy, Phosphor Bronze
Material - Plating Mating	Gold
Material - Plating Termination	Gold
Material - Resin	High Temperature Thermoplastic
PC Tail Length (in)	0.000 In
PC Tail Length (mm)	0.00 mm
PCB Locator	No
PCB Mounting Side	Normal
PCB Retention	None
Packaging Type	Embossed Tape on Reel
Pitch - Mating Interface (in)	0.100 In
Pitch - Mating Interface (mm)	2.54 mm
Pitch - Term. Interface (in)	0.100 In
Pitch - Term. Interface (mm)	2.54 mm
Plating min: Mating (µin)	12
Plating min: Mating (µm)	0.30
Plating min: Termination (µin)	1
Plating min: Termination (µm)	0.025
Ports	0
Temperature Range - Operating	-40°C to +85°C
Termination Interface: Style	Surface Mount

Electrical

Current - Maximum per Contact	0.01A
Shielded	No
Voltage - Maximum	5V



EU RoHS

**ELV and RoHS
Compliant**
REACH SVHC
 Not Reviewed
**Halogen-Free
Status**
Not Reviewed

China RoHS



**Need more information on product
environmental compliance?**

Email productcompliance@molex.com
 For a multiple part number RoHS Certificate of Compliance, [click here](#)

Please visit the [Contact Us](#) section for any non-product compliance questions.

Search Parts in this Series

[47469Series](#)

Mates With

Standard SIM Card

Material Info

Reference - Drawing Numbers

Product Specification

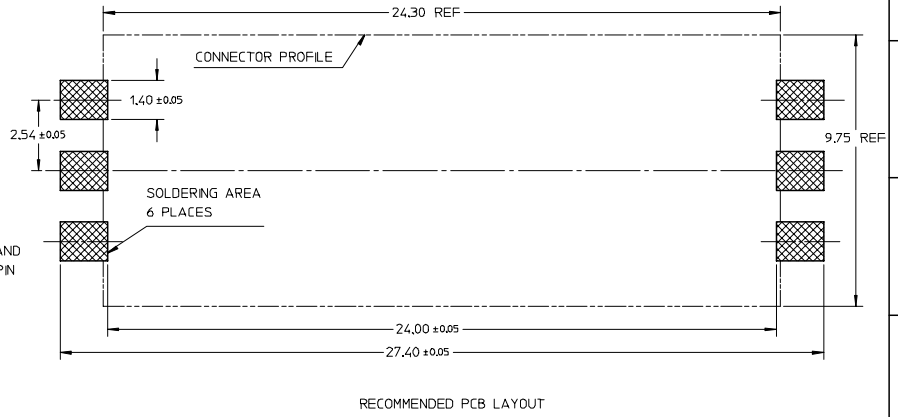
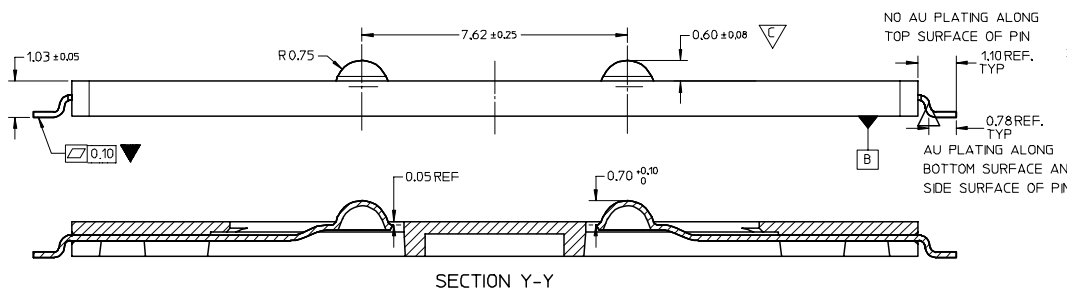
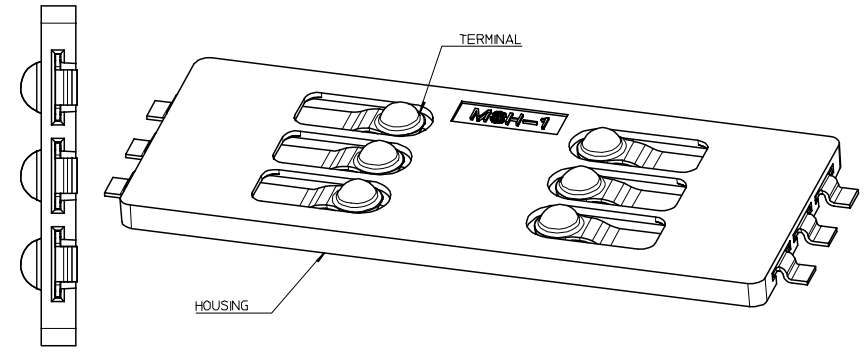
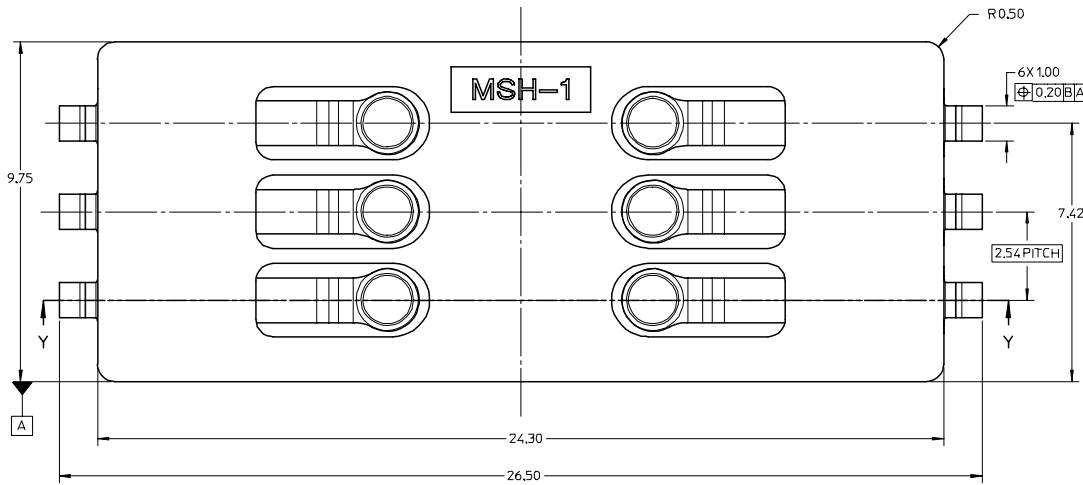
PS-47469-001

Sales Drawing

SD-47469-001

This document was generated on 03/31/2010

PLEASE CHECK WWW.MOLEX.COM FOR LATEST PART INFORMATION



NOTE:
 1 MATERIAL:
 HOUSING : HIGH TEMPERATURE THERMOPLASTIC, COLOR BLACK
 TERMINAL : COPPER ALLOY, PHOSPHOR-BRONZE
 2 FINISH:
 CONTACT AREA: 0.3 MICRON MIN GOLD PLATING OVER 1.27 MICRON NICKEL MIN
 SOLDER AREA : GOLD PLATING 0.025-0.075 MICRON OVER 1.27 MICRON NICKEL MIN
 3 COPLANARITY: 0.1 MAX AMONG THESE SOLDER TAILS.

NEW PRODUCT EC NO. 2006/0516 DRAWN: CYZHU CHKD: APPR:	QUALITY SYMBOLS	GENERAL TOLERANCES (UNLESS SPECIFIED)		DIMENSION STYLE	SCALE	DESIGN UNITS	THIRD ANGLE PROJECTION
	▼=1 ▽=1	mm	INCH	MM ONLY	10:1	METRIC	
		4 PLACES ±---	±---	DRAWN BY	DATE	TITLE	
		3 PLACES ±---	±---	CYZHU	2006/02/27	ASSEMBLY LOW PROFILE SIM READER	
	2 PLACES ±0.15	±---	1 PLACE ±0.2	±---	DATE	MOLEX INCORPORATED	
	ANGULAR ±1/2°		APPROVED BY		DATE	SHEET NO.	
	DRAFT WHERE APPLICABLE MUST REMAIN WITHIN DIMENSIONS		MATERIAL NO.		DOCUMENT NO.	1 OF 1	
	SIZE A2		474690001		SD-47469-001	THIS DRAWING CONTAINS INFORMATION THAT IS PROPRIETARY TO MOLEX INCORPORATED AND SHOULD NOT BE USED WITHOUT WRITTEN PERMISSION	