



Approved by:

Checked by:

Issued by:

SPECIFICATION

PRODUCT: SAW FILTER

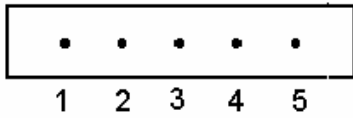
MODEL: HB3891M (X6922M) SIP5K

HOPE MICROELECTRONICS CO., LIMITED

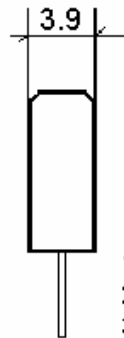
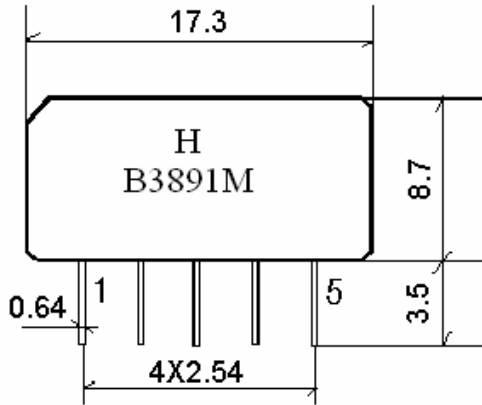
1. Construction

1.1 Dimension and materials

Type : B3891M

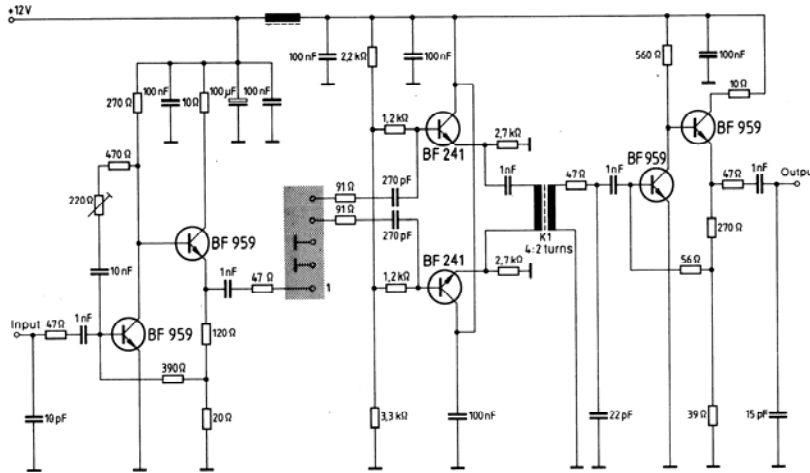


Unit : mm



- 1 Input
- 2 Input-ground
- 3 ground
- 4 Output
- 5 Output

1.2. Circuit construction, measurement circuit



Test circuit for SIP-5 filter

Input impedance of the symmetrical post-amplifier: 2 kΩ in parallel with 3 pF

2.Characteristics

Standard atmospheric conditions

Unless otherwise specified , the standard range of atmospheric conditions for making measurements and tests is as follows;

- Ambient temperature : 15°C to 35°C
- Relative humidity : 25% to 85%
- Air pressure : 86kPa to 106kPa

Operating temperature rang

Operating temperature rang is the rang of ambient temperatures in which the filter can be operated continuously. $-10^{\circ}\text{C} \sim +60^{\circ}\text{C}$

Storage temperature rang

Storage temperature rang is the rang of ambient temperatures at which the filter can be stored without damage.

Conditions are as specified elsewhere in these specifications. $-40^{\circ}\text{C} \sim +70^{\circ}\text{C}$

Reference temperature $+25^{\circ}\text{C}$

2.1 Maximum Rating

DC voltage	VDC	12	V	Between any terminals
AC voltage	Vpp	10	V	Between any terminals

2.2 Electrical Characteristics

Source impedance $Z_S=50\ \Omega$

Load impedance $Z_L=2k\ \Omega //3pF$ $T_A=25^{\circ}\text{C}$

Item	Freq	min	typ	max	
Center frequency	Fo	-	38.912	-	MHz
Insertion attenuation Reference level	38.912MHz	16.7	18.7	20.7	dB
Pass bandwidth	B3dB	-	1.52	-	MHz
	B30dB	-	2.62	-	MHz
Sidelobe	30.01~36.27MHz	38.0	47.0		dB
	36.27~37.31MHz	36.0	44.0		dB
	40.61~41.41MHz	36.0	42.0		dB
	41.41~50.01MHz	38.0	45.0		dB
Temperature coefficient			-18		ppm/k

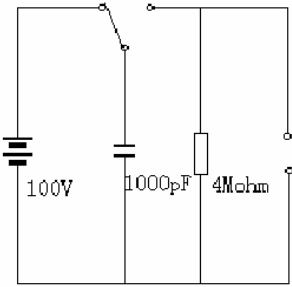
2.3 Environmental Performance Characteristics

Item Test condition	Allowable change of absolute Level at center frequency(dB)
High temperature test 70°C 1000H	< 1.0
Low temperature test -40°C 1000H	< 1.0
Humidity test 40°C 90-95% 1000H	< 1.0
Thermal shock $-20^{\circ}\text{C} \rightleftharpoons 25^{\circ}\text{C} \rightleftharpoons 80^{\circ}\text{C}$ 20 cycle 30M 10M 30M	< 1.0
Solder temperature test Sold temp. 260°C for 10 sec.	< 1.0
Soldering Immerse the pins melt solder at $260^{\circ}\text{C} \pm 5^{\circ}\text{C}$ for 5 sec.	More then 95% of total area of the pins should be covered with solder

2.4 Mechanical Test

Item Test condition	Allowable change of absolute Level at center frequency(dB)
Vibration test 600-3300rpm amplitude 1.5mm 3 directions 2 H each	<1.0
Drop test On maple plate from 1 m high 3 times	<1.0
Lead pull test Pull with 1 kg force for 30 seconds	<1.0
Lead bend test 90° bending with 500g weigh 2 times	<1.0

2.5 Voltage Discharge Test

Item Test condition	Allowable change of absolute Level at center frequency(dB)
Surge test Between any two electrode 	<1.0

2.6 Frequency response:

