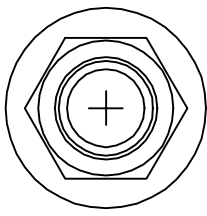
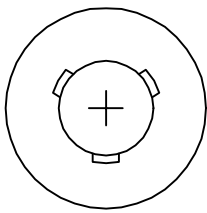
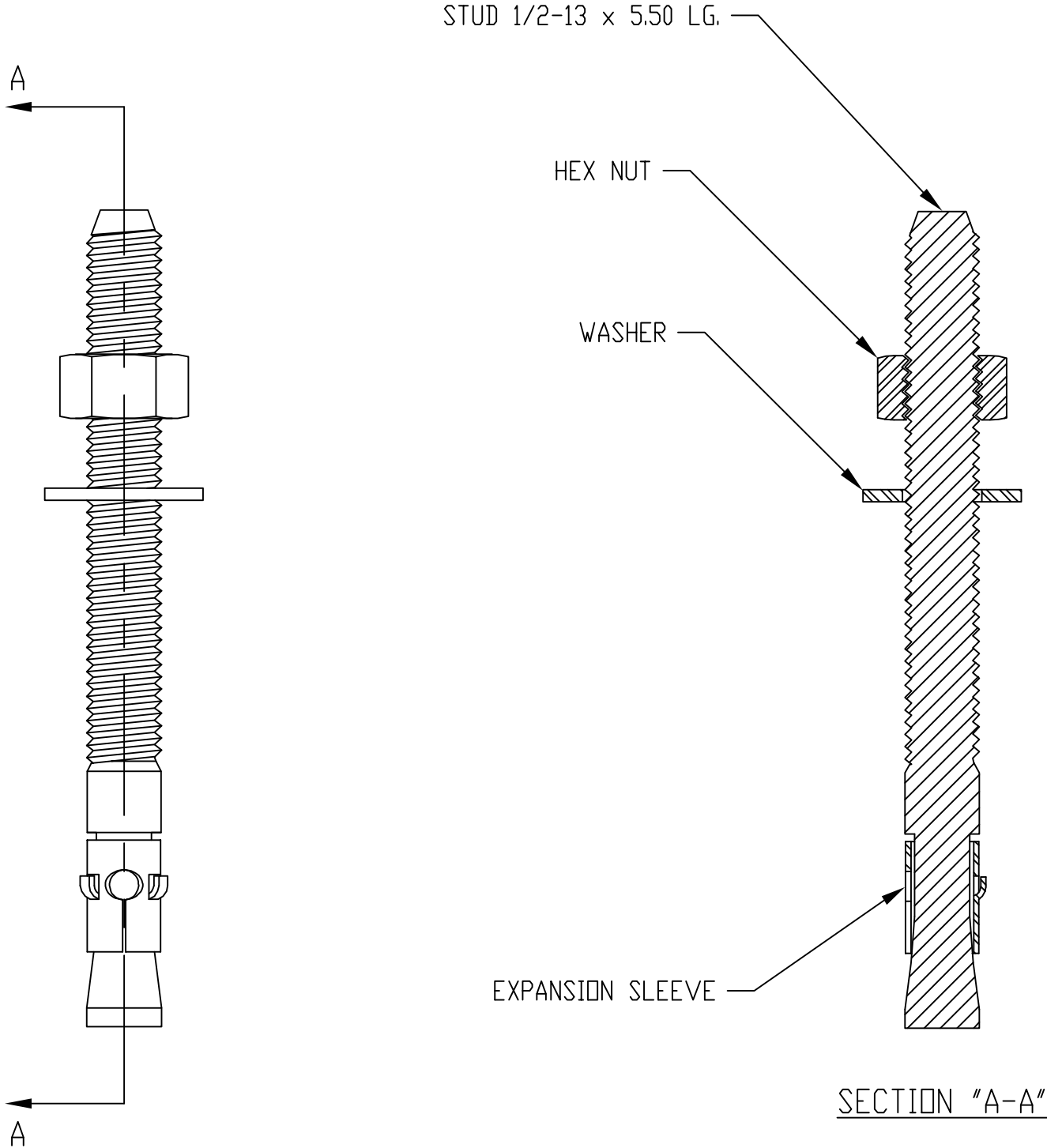


PART NAME	SEISMIC ANCHOR KIT	PART No.	AK-8850	REV. DATE	8-31-05
-----------	--------------------	----------	---------	-----------	---------



MATERIAL: STEEL
FINISH: ZINC PLATE



TENSION TEST

CONCRETE STRENGTH: 2,000 psi
DEPTH OF EMBEDMENT: 2.25 inches min.
AVERAGE TORQUE OF NUT: 55 ft. lbs.
AVERAGE PULLOUT: 4,660 lbs.

SHEAR TEST

CONCRETE STRENGTH: 2,000 psi
DEPTH OF EMBEDMENT: 2.25 inches min.
AVERAGE TORQUE OF NUT: 55 ft. lbs.
AVERAGE PULLOUT: 4,760 lbs.

APPROVALS/LISTINGS

MEETS OR EXCEEDS U.S. GOVERNMENT G.S.A. SPECIFICATION FF-S-325 GROUP II,
TYPE 4, CLASS 1
UNDERWRITERS LABORATORIES
FACTORY MUTUAL
ICBO EVALUATION SERVICE, INC. - #ER-1372 (INCLUDING
SEISMIC LOADING CONDITIONS)
METRO-DADE COUNTY - #01-0504.12
CITY OF LOS ANGELES - #RR2748
SBCCI COMPLIANCE REPORT - #9570
CALIFORNIA STATE FIRE MARSHAL
CAL TRANS

INSTALLATION

0.50" DIA. CARBIDE TIPPED HAMMER DRILL BITS
ANCHOR DIAMETER EQUALS HOLE DIAMETER