

PLEASE CHECK WWW.MOLEX.COM FOR LATEST PART INFORMATION

Part Number: [5009130702](#)
Status: **Active**
Description: 0.40mm (.016") Pitch SlimStack™ Board-to-Board PCB Receptacle, Surface Mount, Dual Row, Vertical Stacking, Mated Height of 1.80mm (071"), with Solder Tabs, 70 Circuits

Documents:

[3D Model](#) [Product Specification PS-500913-001 \(PDF\)](#)
[Drawing \(PDF\)](#) [RoHS Certificate of Compliance \(PDF\)](#)

General

| | |
|----------------|------------------------------------|
| Product Family | PCB Receptacles |
| Series | 500913 |
| Application | Board-to-Board |
| Comments | Solder Tab Plating: Lead-Free, Tin |
| Product Name | SlimStack™ |

Physical

| | |
|--------------------------------|--------------------------------|
| Circuits (Loaded) | 70 |
| Circuits (maximum) | 70 |
| Color - Resin | Black |
| Durability (mating cycles max) | 30 |
| Glow-Wire Compliant | No |
| Lock to Mating Part | Yes |
| Mated Height (in) | 0.071 In |
| Mated Height (mm) | 1.80 mm |
| Material - Metal | Phosphor Bronze |
| Material - Plating Mating | Gold |
| Material - Plating Termination | Gold |
| Material - Resin | High Temperature Thermoplastic |
| Number of Rows | 2 |
| Orientation | Vertical |
| PC Tail Length (in) | 0.000 In |
| PC Tail Length (mm) | 0.00 mm |
| PCB Locator | No |
| PCB Retention | None |
| PCB Thickness Recommended (in) | 0.000 In |
| PCB Thickness Recommended (mm) | 0.00 mm |
| Packaging Type | Embossed Tape on Reel |
| Pitch - Mating Interface (in) | 0.016 In |
| Pitch - Mating Interface (mm) | 0.40 mm |
| Pitch - Term. Interface (in) | 0.016 In |
| Pitch - Term. Interface (mm) | 0.40 mm |
| Plating min: Mating (µin) | 10 |
| Plating min: Mating (µm) | 0.25 |
| Plating min: Termination (µin) | 2 |
| Plating min: Termination (µm) | 0.05 |
| Polarized to Mating Part | No |
| Polarized to PCB | No |
| Stackable | No |
| Surface Mount Compatible (SMC) | Yes |
| Temperature Range - Operating | -25°C to +85°C |
| Termination Interface: Style | Surface Mount |

Electrical

| | |
|-------------------------------|------|
| Current - Maximum per Contact | 0.3A |
|-------------------------------|------|

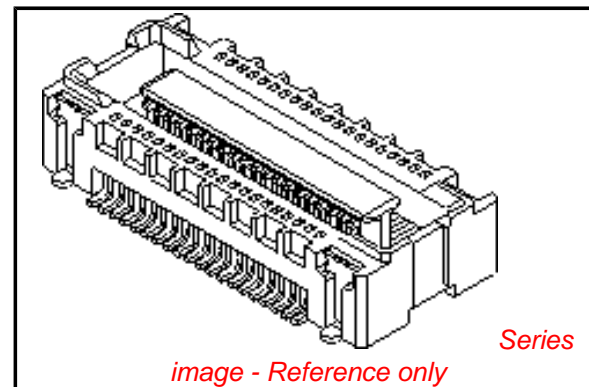


image - Reference only

EU RoHS

**ELV and RoHS
Compliant**

REACH SVHC

Not Reviewed

Halogen-Free

Status

Not Reviewed

**Need more information on product
environmental compliance?**

Email productcompliance@molex.com
 For a multiple part number RoHS Certificate of
 Compliance, [click here](#)

Please visit the [Contact Us](#) section for any
 non-product compliance questions.

China RoHS



Search Parts in this Series

500913Series

Mates With

55909 PCB Header

Voltage - Maximum

50V AC (RMS)/DC

Material Info

Reference - Drawing Numbers

Packaging Specification

SPK-500913-001

Product Specification

PS-500913-001, RPS-500913-001, RPS-500913-003,

RPS-500913-005

Sales Drawing

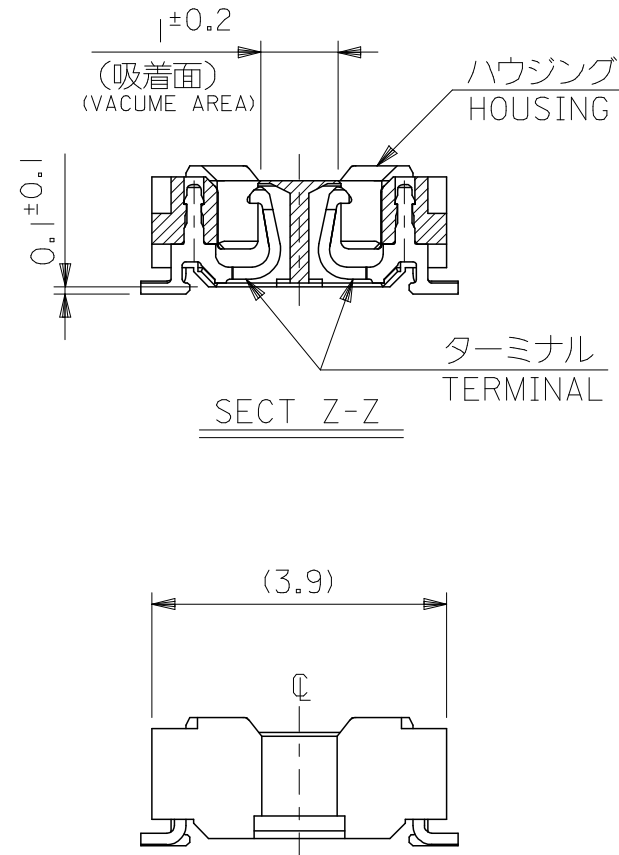
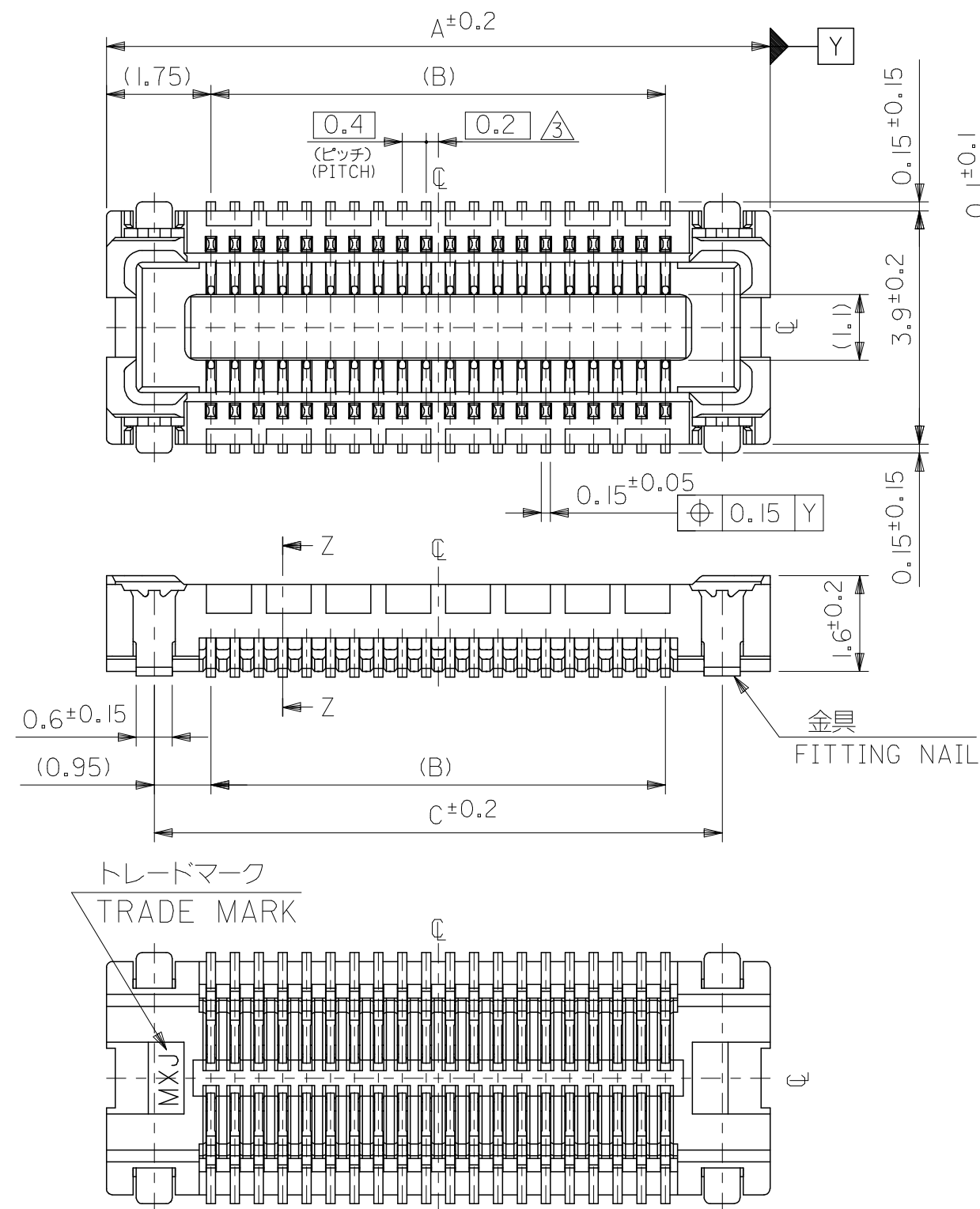
SD-500913-001, SD-500913-002

This document was generated on 05/21/2010

PLEASE CHECK WWW.MOLEX.COM FOR LATEST PART INFORMATION

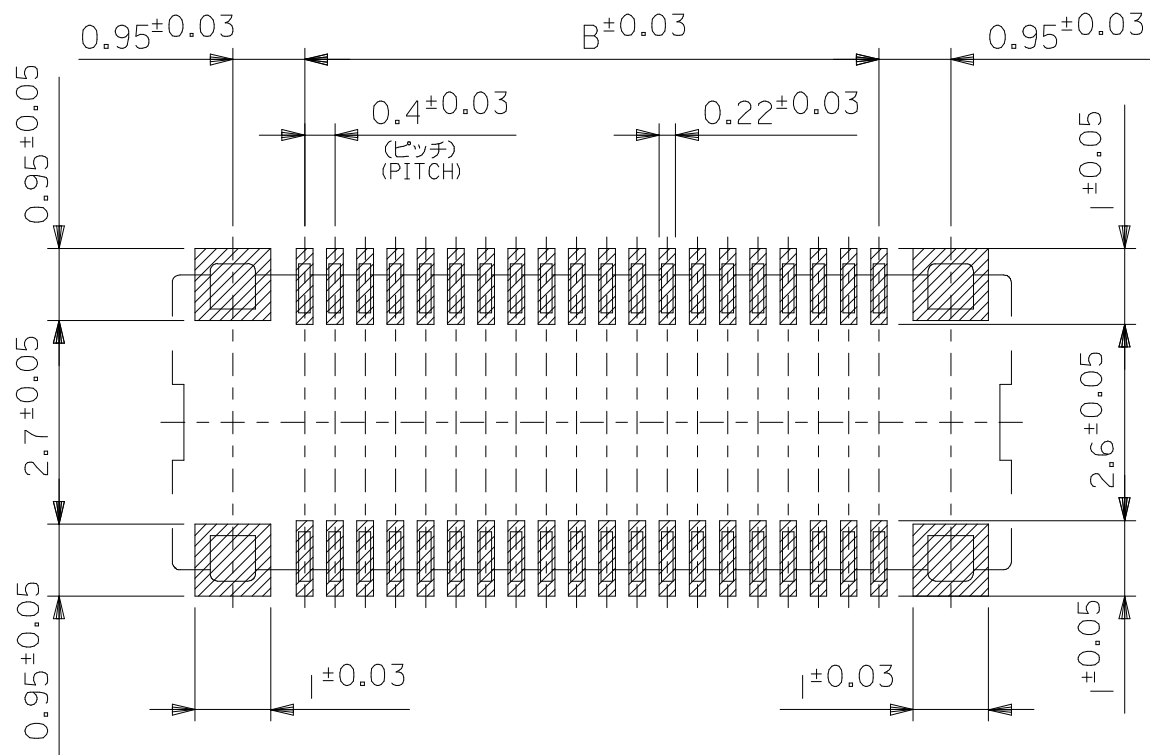
注記 NOTES:

- 使用材料 MATERIAL
 ハウジング: 液晶ポリマー (LCP) ガラス充填 UL94V-0 (黒)
 HOUSING: LIQUID CRYSTAL POLYMER (GLASS FILLED)
 UL94V-0 (COLOR: BLACK)
 ターミナル: リン青銅 (t=0.15)
 TERMINAL: PHOSPHOR BRONZE (t=0.15)
 金具: リン青銅 (t=0.15)
 FITTING NAIL: PHOSPHOR BRONZE (t=0.15)
 - メッキ仕様 PLATING
 ターミナル TERMINAL
 金メッキ 0.2マイクロメートル以上 (コンタクト部)
 GOLD 0.2MICROMETER MINIMUM (CONTACT AREA)
 金メッキ 0.4マイクロメートル以下 (テール部)
 GOLD 0.4MICROMETER MAXIMUM (TAIL AREA)
 下地メッキ: ニッケルメッキ 1.5マイクロメートル以上
 UNDER PLATING: NICKEL 1.5MICROMETER MINIMUM
 *コンタクト部とテール部はニッケルメッキによって分断されている金メッキです。
 DIVIDE INTO PARTS THE GOLD PLATING OF THE CONTACT AND THE TAIL PART BY THE NICKEL PLATING.
 金具 FITTING NAIL
 錫メッキ 1.0マイクロメートル以上
 TIN PLATING 1.0MICROMETER MINIMUM
 下地メッキ: ニッケルメッキ 1.0マイクロメートル以上
 UNDER PLATING: NICKEL 1.0MICROMETER MINIMUM
- △3 (全極数/2) = 偶数の場合に適用。
 APPLY FOR (CIRCUIT/2) = EVEN.
- 嵌合相手: 55909シリーズ
 MATE WITH: 55909 SERIES.
 - テール及び金具の平坦度は、0.1以下
 TAIL AND FITTING NAIL COPLANARITY TO BE 0.1 MAXIMUM

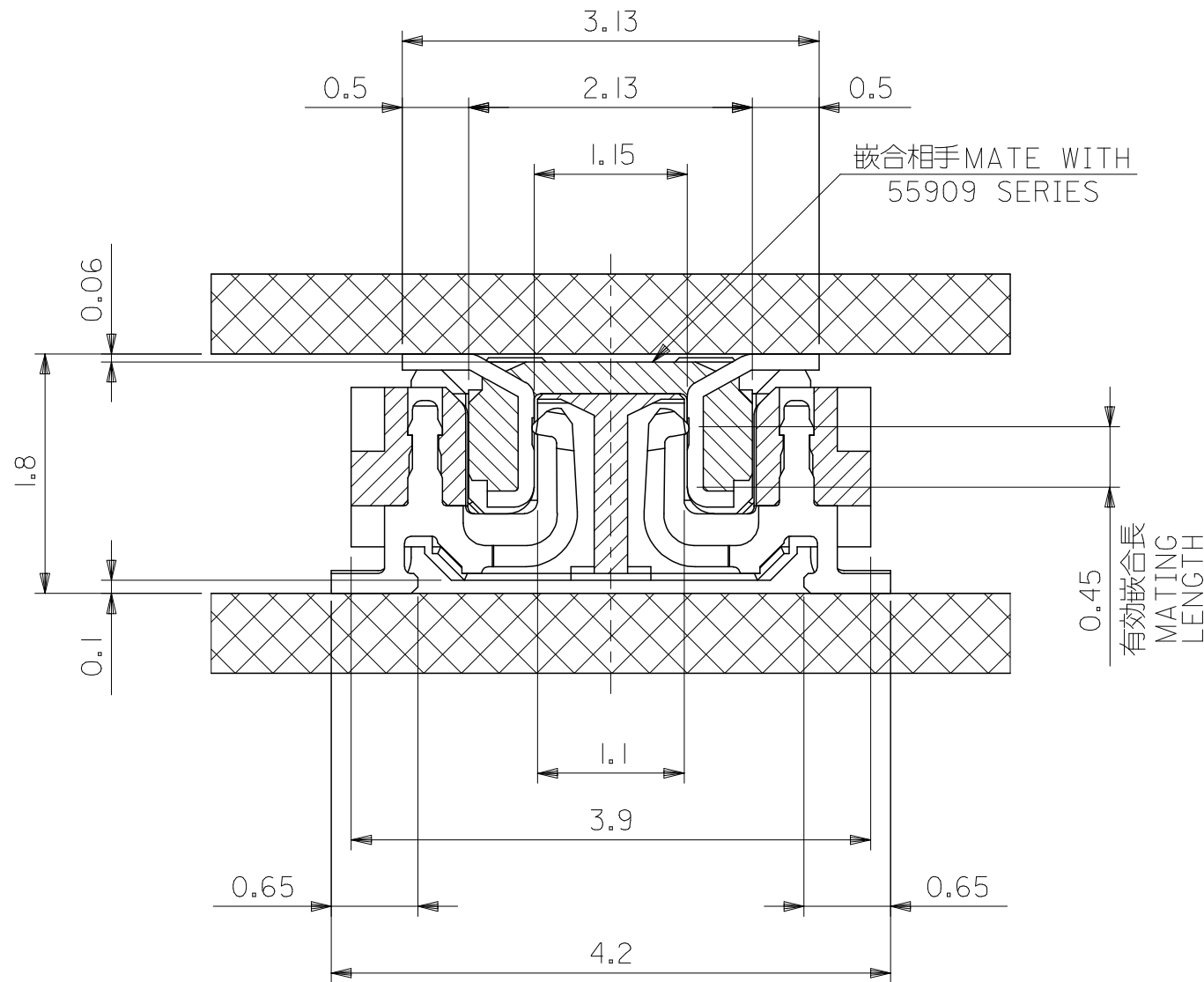


| | | | | |
|------|------|------|--------------|---------|
| 21.5 | 19.6 | 23.1 | 500913-1008 | 100 |
| 19.5 | 17.6 | 21.1 | 500913-0908 | 90 |
| 15.5 | 13.6 | 17.1 | 500913-0708 | 70 |
| 13.5 | 11.6 | 15.1 | 500913-0608 | 60 |
| 11.5 | 9.6 | 13.1 | 500913-0508 | 50 |
| 9.5 | 7.6 | 11.1 | 500913-0408 | 40 |
| 7.5 | 5.6 | 9.1 | 500913-0308 | 30 |
| 6.3 | 4.4 | 7.9 | 500913-0248 | 24 |
| C | B | A | MATERIAL NO. | CIRCUIT |

| | | | | | | | | | |
|--|-------------|---------------------------------------|---|----------------------------|--------------------|---|------------------------|------------------------|--|
| REVISED EC NO: J2007-1419 DRWN: MNABEI 2006/11/16 CHKD: KTOYODA 2006/11/20 APPR: NUKITA 2006/11/21 | DESCRIPTION | GENERAL TOLERANCES (UNLESS SPECIFIED) | | DIMENSION STYLE MM ONLY | | 500913-***8 | | MODEL NO. | |
| | | 10 UNDER ±--- | | DRAWN BY R. SUMIYA | DATE 2004/04/19 | SCALE 10:1 | DESIGN UNITS METRIC | THIRD ANGLE PROJECTION | |
| | | 10 ^{OVER} 30 UNDER ±--- | | CHECKED BY M. SASAO | DATE 2004/04/19 | TITLE 0.4 B-TO-B CONN REC HSG ASSY (HGT=1.8MM) -LEAD FREE- | | | |
| | | 30 ^{OVER} ±--- | | APPROVED BY M. SASAO | DATE 2004/04/19 | | | MOLEX INCORPORATED | |
| | | ANGULAR ±--- ° | | MATERIAL NO. SEE CHART | | DOCUMENT NO. SD-500913-001 | SHEET NO. 1 OF 2 | | |
| DRAFT WHERE APPLICABLE MUST REMAIN WITHIN DIMENSIONS | | SIZE A3 | THIS DRAWING CONTAINS INFORMATION THAT IS PROPRIETARY TO MOLEX INCORPORATED AND SHOULD NOT BE USED WITHOUT WRITTEN PERMISSION | | | | | | |

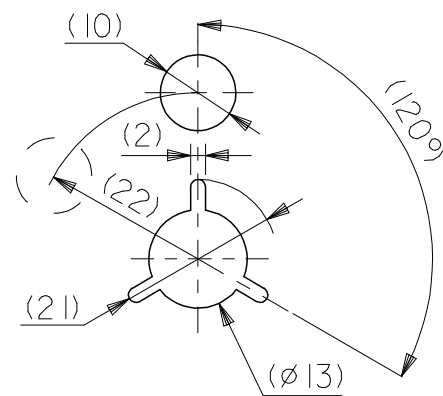
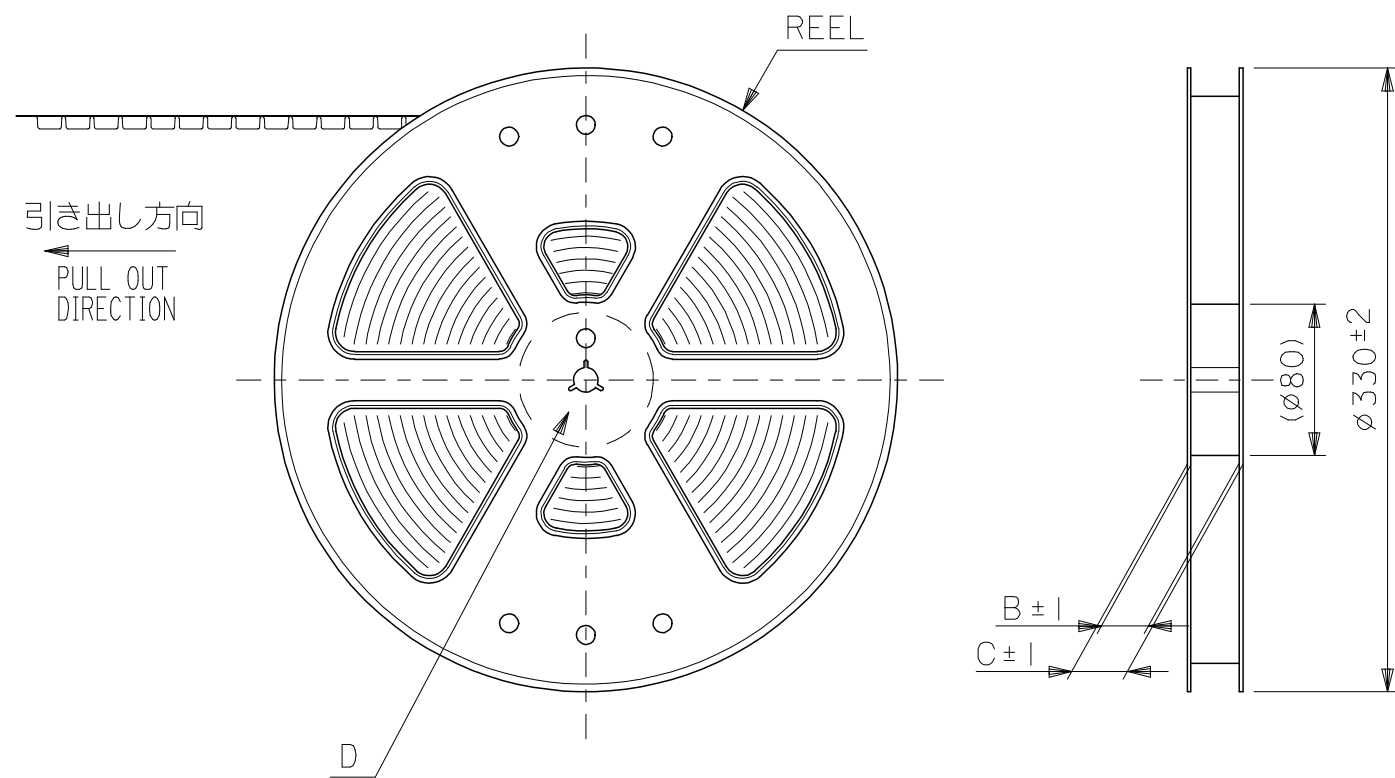


参考基板レイアウト (マウント面)
 P.C.BOARD PATTERN DIMENSION. (REFERENCE)
 (MOUNTING AREA)



嵌合断面図 (参考)
 MATED DRAWING (REFERENCE)

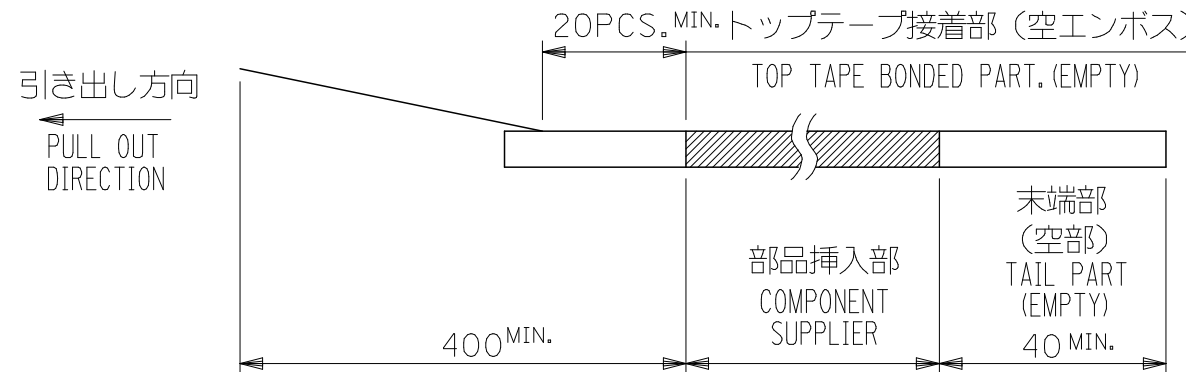
| | | | | | | | | | | |
|---|--------------------|---------------------------------------|--|---|--|---|---------------------|------------------------|------------------|--|
| REVISED EC NO: J2007-1419 DRWN: MNABEI 2006/11/16 CH'KD: KTOYODA 2006/11/20 APPR: NUKITA 2006/11/21 | DESCRIPTION REV | GENERAL TOLERANCES (UNLESS SPECIFIED) | | DIMENSION STYLE MM ONLY | | 500913-***8 | | MODEL NO. | | |
| | | 10 UNDER ± --- | | DRAWN BY R. SUMIYA DATE 2004/04/19 | | SCALE --- | DESIGN UNITS METRIC | THIRD ANGLE PROJECTION | | |
| | | 10 ^{OVER} 30 UNDER ± --- | | CHECKED BY M. SASAO DATE 2004/04/19 | | TITLE 0.4 B-TO-B CONN REC HSG ASSY (HGT=1.8MM) -LEAD FREE- | | | | |
| | | 30 ^{OVER} ± --- | | APPROVED BY M. SASAO DATE 2004/04/19 | | MOLEX MOLEX INCORPORATED | | | | |
| | | ANGULAR ± --- ° | | MATERIAL NO. SEE CHART | | DOCUMENT NO. SD-500913-001 | | | SHEET NO. 2 OF 2 | |
| DRAFT WHERE APPLICABLE MUST REMAIN WITHIN DIMENSIONS | | SIZE A3 | | THIS DRAWING CONTAINS INFORMATION THAT IS PROPRIETARY TO MOLEX INCORPORATED AND SHOULD NOT BE USED WITHOUT WRITTEN PERMISSION | | | | | | |



DETAIL D

NOTES

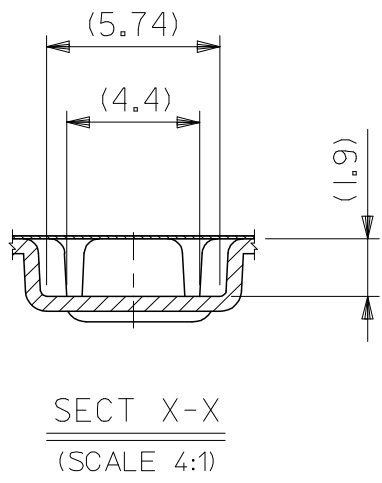
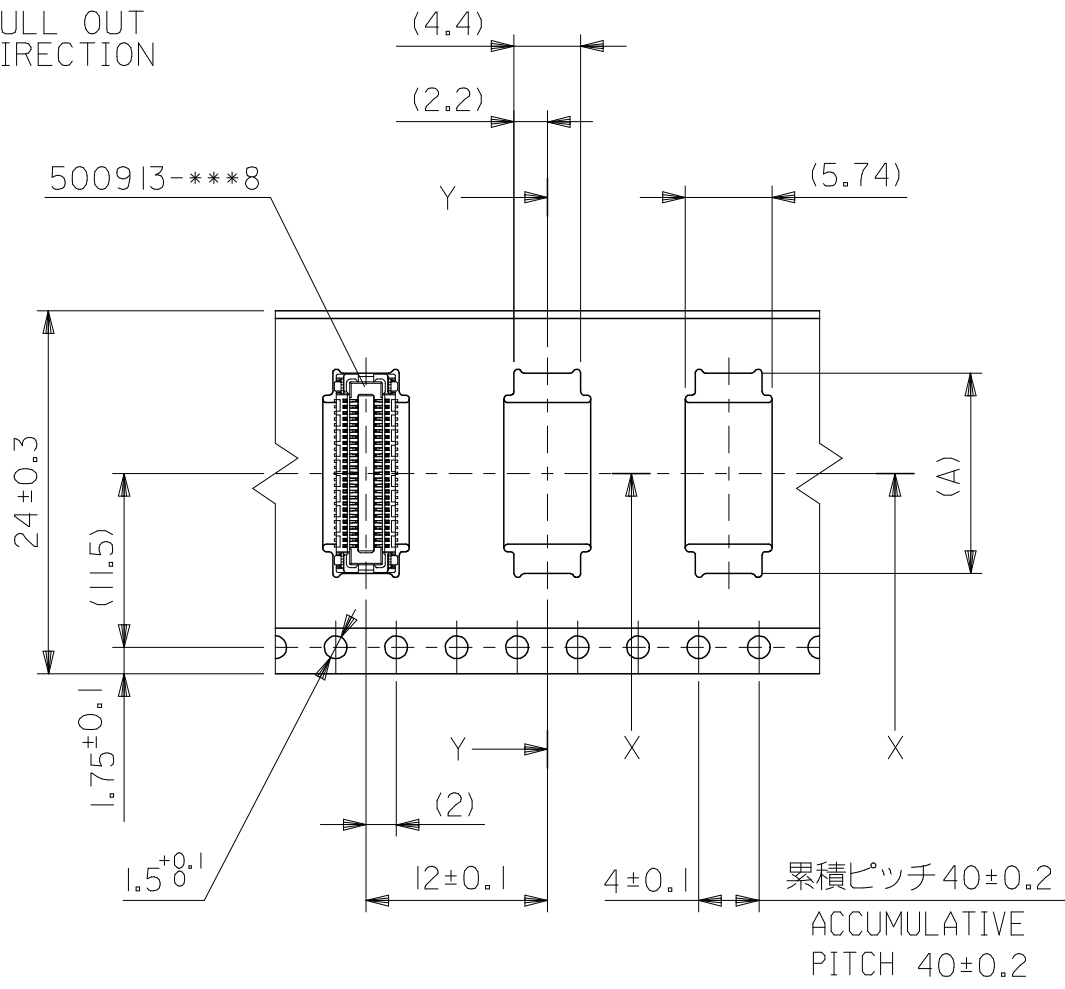
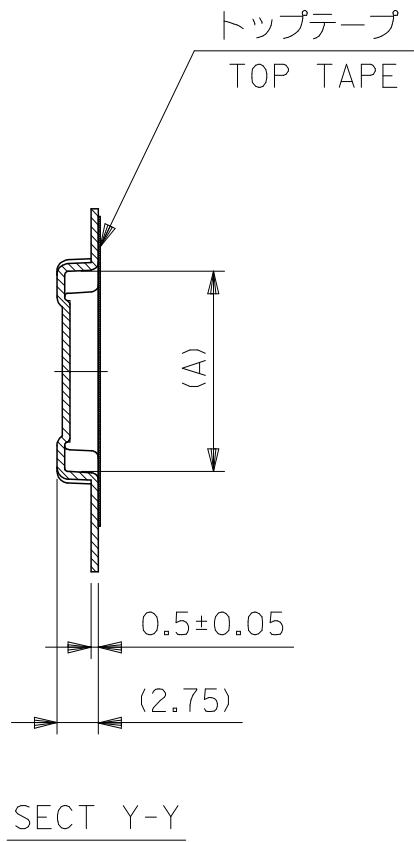
- 1. 製品詳細寸法については製品単体図面SD-500913-001を参照下さい。
RE DETAILED DIMENSION, SEE PRODUCT DRAWING NO. SD-500913-001.
- 2. 梱包数量：1500個/リール
NUMBER OF CONNECTORS : 1500PCS/REEL
- 3. リードテープ長さ LEAD TAPE LENGTH



- 4. 材料 MATERIAL
 キャリアテープ (CARRIER TAPE) : ポリプロピレン (POLYPROPYLENE)
 トップテープ (TOPTAPE) : PET , PE , PEF
 リール (REEL) : ポリスチレン (PS) <リサイクル材を含む>
 POLYSTYRENE (PS) <RECYCLE MATERIAL CONTAINED>

| | | | | | | | | | |
|--|-------------|---------------------------------------|--|---|--|--|--|----------------------------|--|
| REVISED EC NO: J2007-1419 DRWN: MNABEI 2006/11/16 CHKD: KTOYODA 2006/11/20 APPR: NUKITA 2006/11/21 | DESCRIPTION | GENERAL TOLERANCES (UNLESS SPECIFIED) | | DIMENSION STYLE MM ONLY | | 500913-***2 | | MODEL NO. | |
| | | 10 UNDER ±--- | | DRAWN BY R. SUMIYA DATE 2004/04/19 | | SCALE --- | | DESIGN UNITS METRIC | |
| | | 10 OVER 30 UNDER ±--- | | CHECKED BY M. SASAO DATE 2004/04/19 | | TITLE | | THIRD ANGLE PROJECTION | |
| | | 30 OVER ±--- | | APPROVED BY M. SASAO DATE 2004/04/19 | | 0.4 B-TO-B REC HSG ASSY (HGT=1.8) EMBSTP PKG -LEAD FREE- | | | |
| | | ANGULAR ±--- ° | | MATERIAL NO. | | MOLEX MOLEX INCORPORATED | | DOCUMENT NO. SD-500913-002 | |
| DRAFT WHERE APPLICABLE MUST REMAIN WITHIN DIMENSIONS | | SEE CHART | | THIS DRAWING CONTAINS INFORMATION THAT IS PROPRIETARY TO MOLEX INCORPORATED AND SHOULD NOT BE USED WITHOUT WRITTEN PERMISSION | | | | | |
| REV | | SIZE A3 | | | | | | | |

引き出し方向
PULL OUT
DIRECTION

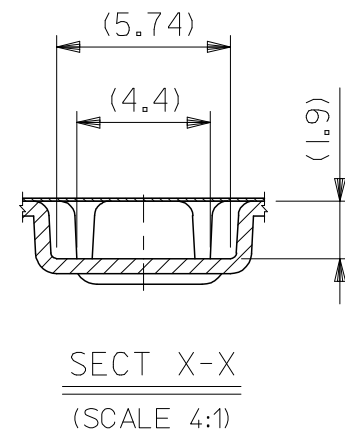
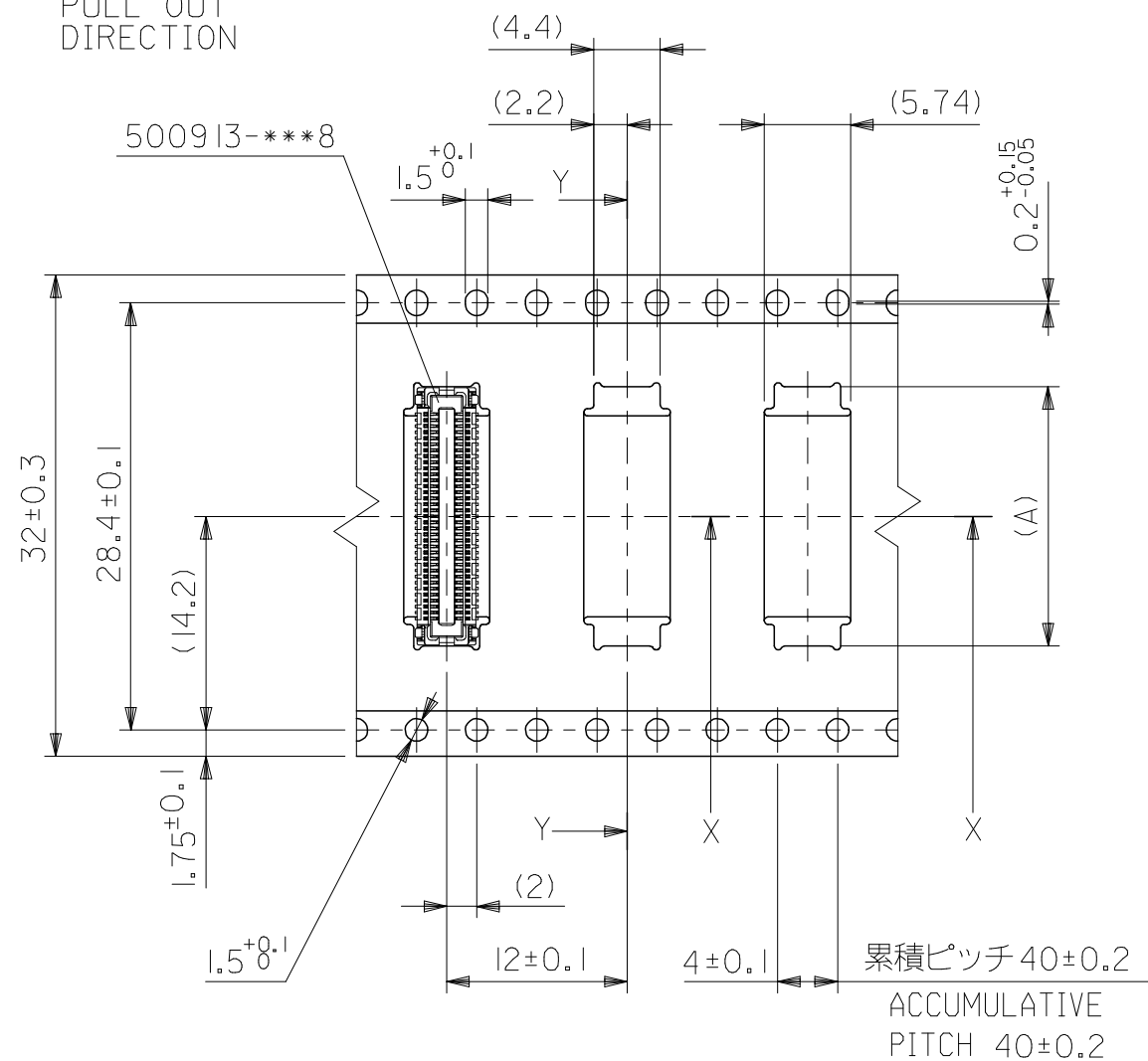
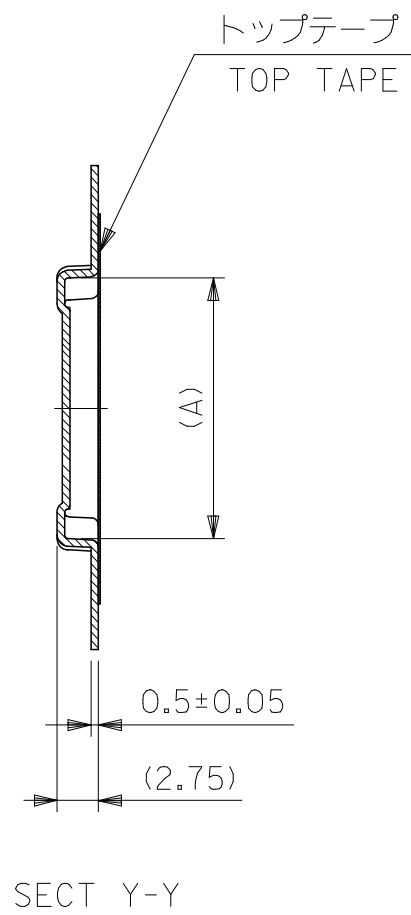


24mm幅キャリアテープ
24mm WIDTH CARRIER TAPE

| | | | | | |
|--------------------------------|------|------|-------|--------------|---------|
| 24 | 29.4 | 25.4 | 15.26 | 500913-0602 | 60 |
| | | | 13.26 | 500913-0502 | 50 |
| | | | 11.26 | 500913-0402 | 40 |
| | | | 9.26 | 500913-0302 | 30 |
| | | | 8.06 | 500913-0242 | 24 |
| キャリアテープ幅 CARRIER TAPE WIDTH | C | B | (A) | MATERIAL NO. | CIRCUIT |

| | | | | | | | | | |
|---|-------------|---------------------------------------|------------|----------------------------|------------|---|--------------|------------------------|--|
| REVISED EC NO: J2007-1419 DRWN: MNABEI CHKD: KTOYODA APPR: NUKITA | DESCRIPTION | GENERAL TOLERANCES (UNLESS SPECIFIED) | | DIMENSION STYLE MM ONLY | | 500913-****2 | | MODEL NO. | |
| | | 10 UNDER | ±--- | DRAWN BY | DATE | SCALE | DESIGN UNITS | THIRD ANGLE PROJECTION | |
| | | 10 OVER 30 UNDER | ±--- | R. SUMIYA | 2004/04/19 | 2:1 | METRIC | | |
| | | 30 OVER | ±--- | CHECKED BY | DATE | TITLE 0.4 B-TO-B REC HSG ASSY (HGT=1.8) EMBSTP PKG -LEAD FREE- | | | |
| | | ANGULAR | ±--- ° | M. SASAO | 2004/04/19 | | | | |
| DRAFT WHERE APPLICABLE MUST REMAIN WITHIN DIMENSIONS | | APPROVED BY | DATE | MOLEX INCORPORATED | | DOCUMENT NO. | SHEET NO. | | |
| | | M. SASAO | 2004/04/19 | SEE CHART | | SD-500913-002 | 2 OF 4 | | |
| | | MATERIAL NO. | | | | THIS DRAWING CONTAINS INFORMATION THAT IS PROPRIETARY TO MOLEX INCORPORATED AND SHOULD NOT BE USED WITHOUT WRITTEN PERMISSION | | | |
| | | SIZE | A3 | | | | | | |

引き出し方向
PULL OUT
DIRECTION

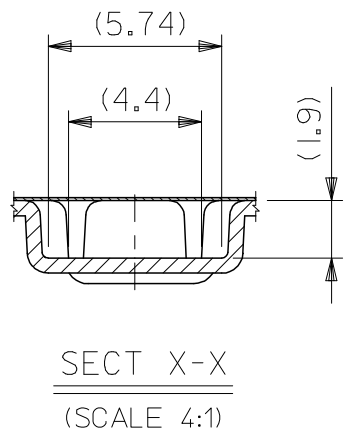
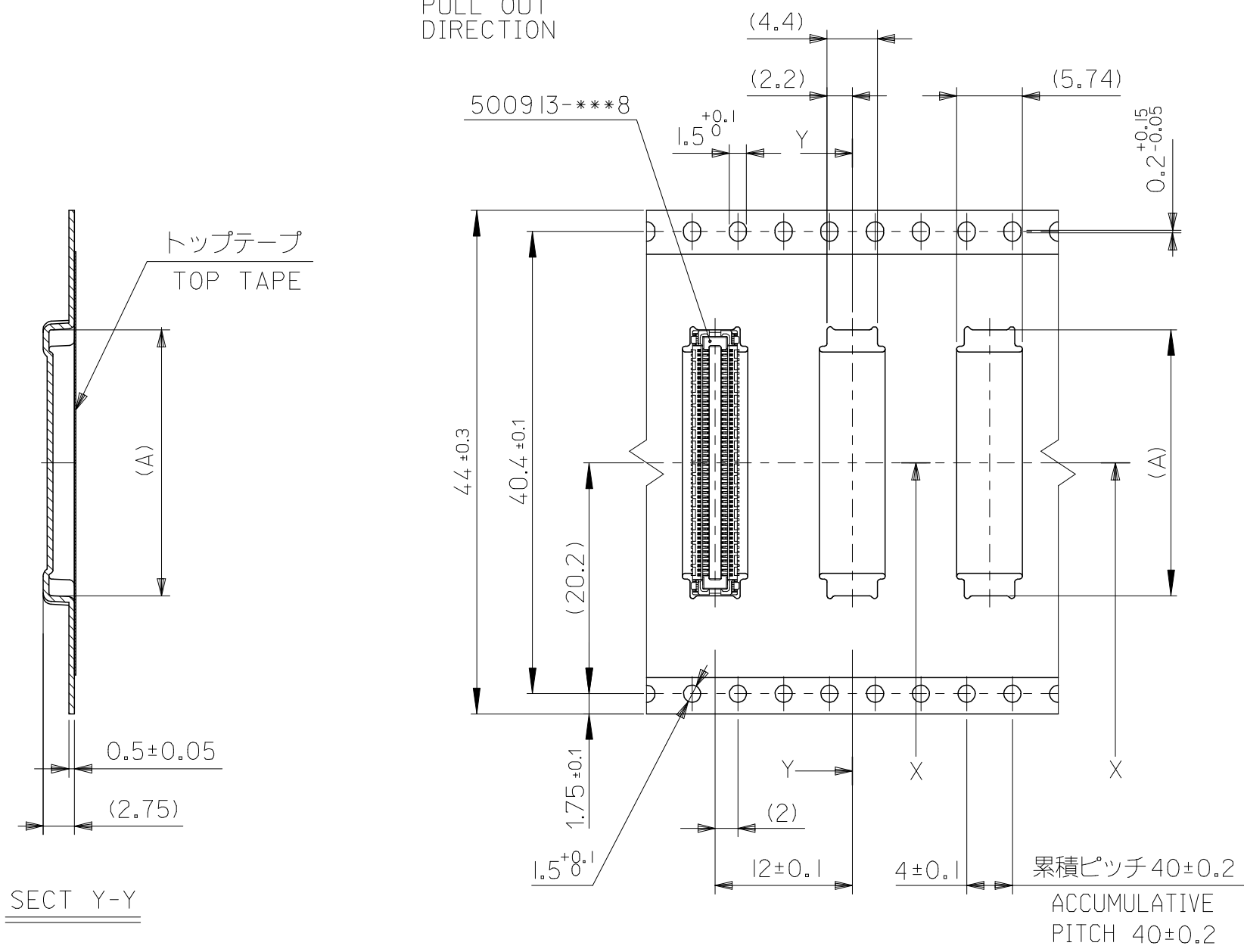


32mm幅キャリアテープ
32mm WIDTH CARRIER TAPE

| | | | | | |
|--------------------------------|------|------|-------|--------------|---------|
| 32 | 41.4 | 37.4 | 21.26 | 500913-0902 | 90 |
| | 37.4 | 33.4 | 17.26 | 500913-0702 | 70 |
| キャリアテープ幅 CARRIER TAPE WIDTH | C | B | (A) | MATERIAL NO. | CIRCUIT |

| | | | | | | | | | | | |
|---|---|----------------------------|--------|---------------|------------|--|--|--|--|---------------------------|--|
| REVISED EC NO: J2007-1419 DRWN: MNABEI 2006/11/16 CH'KD: KTOYODA 2006/11/20 APPR: NUKITA 2006/11/21 | DESCRIPTION GENERAL TOLERANCES (UNLESS SPECIFIED) | DIMENSION STYLE MM ONLY | | SCALE 2:1 | | DESIGN UNITS METRIC | | MODEL NO. 500913-***2 | | THIRD ANGLE PROJECTION | |
| | | 10 UNDER | ±--- | DRAWN BY | DATE | TITLE | | | | | |
| | | 10 OVER 30 UNDER | ±--- | R. SUMIYA | 2004/04/19 | 0.4 B-TO-B REC HSG ASSY (HGT=1.8) EMBSTP PKG -LEAD FREE- | | | | | |
| | | 30 OVER | ±--- | CHECKED BY | DATE | MOLEX INCORPORATED | | | | | |
| | | ANGULAR | ±--- ° | M. SASAO | 2004/04/19 | MATERIAL NO. | | DOCUMENT NO. | | SHEET NO. | |
| DRAFT WHERE APPLICABLE MUST REMAIN WITHIN DIMENSIONS | | SEE CHART | | SD-500913-002 | | 3 OF 4 | | THIS DRAWING CONTAINS INFORMATION THAT IS PROPRIETARY TO MOLEX INCORPORATED AND SHOULD NOT BE USED WITHOUT WRITTEN PERMISSION | | | |

引き出し方向
PULL OUT
DIRECTION



44 mm幅キャリアテープ
44 mm WIDTH CARRIER TAPE

| | | | | | |
|--------------------------------|------|------|-------|--------------|---------|
| 44 | 49.4 | 45.4 | 23.26 | 500913-1002 | 100 |
| キャリアテープ幅 CARRIER TAPE WIDTH | C | B | (A) | MATERIAL NO. | CIRCUIT |

| | | | | | | | | | | | |
|---|---|----------------------------|--------|--|--------------------|---|--|-------------------------------|--|---------------------------|--|
| REVISED EC NO: J2007-1419 DRWN: MNABEI 2006/11/16 CH'KD: KTOYD0A 2006/11/20 APPR: NUKITA 2006/11/21 | DESCRIPTION GENERAL TOLERANCES (UNLESS SPECIFIED) | DIMENSION STYLE MM ONLY | | SCALE 2:1 | | DESIGN UNITS METRIC | | MODEL NO. 500913-***2 | | THIRD ANGLE PROJECTION | |
| | | 10 UNDER | ±--- | DRAWN BY Y. SAKIYA | DATE 2004/07/30 | TITLE 0.4 B-TO-B REC HSG ASSY (HGT=1.8) EMBSTP PKG -LEAD FREE- | | | | | |
| | | 10 OVER 30 UNDER | ±--- | CHECKED BY M. SASAO | DATE 2004/07/30 | MOLEX INCORPORATED | | | | | |
| | | 30 OVER | ±--- | APPROVED BY M. SASAO | DATE 2004/07/30 | MATERIAL NO. SEE CHART | | DOCUMENT NO. SD-500913-002 | | SHEET NO. 4 OF 4 | |
| | | ANGULAR | ±--- ° | THIS DRAWING CONTAINS INFORMATION THAT IS PROPRIETARY TO MOLEX INCORPORATED AND SHOULD NOT BE USED WITHOUT WRITTEN PERMISSION | | | | | | | |
| DRAFT WHERE APPLICABLE MUST REMAIN WITHIN DIMENSIONS | | | | | | | | | | | |