

**PLEASE CHECK WWW.MOLEX.COM FOR LATEST PART INFORMATION**

**Part Number:** [5007972794](#)  
**Status:** **Active**  
**Description:** 0.30mm (.012") Pitch Easy-On™ Type FPC Connector, 1.05mm (.041") Mated Height, Right Angle, SMT, Bottom Contact Style, 27 Circuits, Lead-free

**Documents:**

[3D Model](#)  
[Drawing \(PDF\)](#)

[Product Specification PS-500797-003 \(PDF\)](#)  
[RoHS Certificate of Compliance \(PDF\)](#)

**General**

Product Family FFC/FPC Connectors  
 Series [500797](#)  
 Product Name Easy-On™

**Physical**

Circuits (Loaded) 27  
 Contact Position Bottom  
 Durability (mating cycles max) 20  
 Entry Angle 90° Angle  
 Mated Height (in) 0.041 In  
 Mated Height (mm) 1.05 mm  
 Material - Metal Copper Alloy, Phosphor Bronze  
 Material - Plating Mating Gold  
 Number of Rows 1  
 Orientation Right Angle  
 PCB Locator No  
 PCB Retention Yes  
 Packaging Type Embossed Tape on Reel  
 Pitch - Mating Interface (in) 0.012 In  
 Pitch - Mating Interface (mm) 0.30 mm  
 Polarized to PCB Yes  
 Stackable No  
 Temperature Range - Operating -20°C to +85°C  
 Termination Interface: Style Surface Mount  
 Wire/Cable Type FPC only

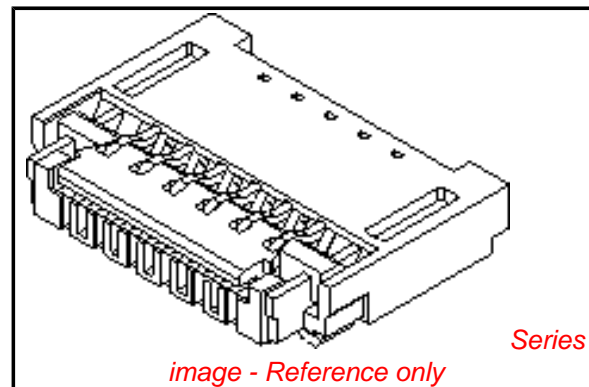
**Electrical**

Current - Maximum per Contact 0.2A  
 Voltage - Maximum 50V

**Material Info**

**Reference - Drawing Numbers**

Product Specification PS-500797-003, RPS-500797-007, RPS-500797-008, RPS-500797-009, RPS-500797-010, RPS-500797-012, RPS-500797-013, RPS-500797-016, RPS-500797-017, RPS-500797-019  
 Sales Drawing SD-500797-005, SD-500797-006



*image - Reference only*

**EU RoHS**

**ELV and RoHS  
 Compliant**  
**REACH SVHC**  
 Not Reviewed  
**Halogen-Free  
 Status**  
**Not Reviewed**

**China RoHS**

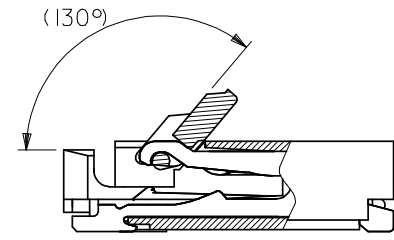
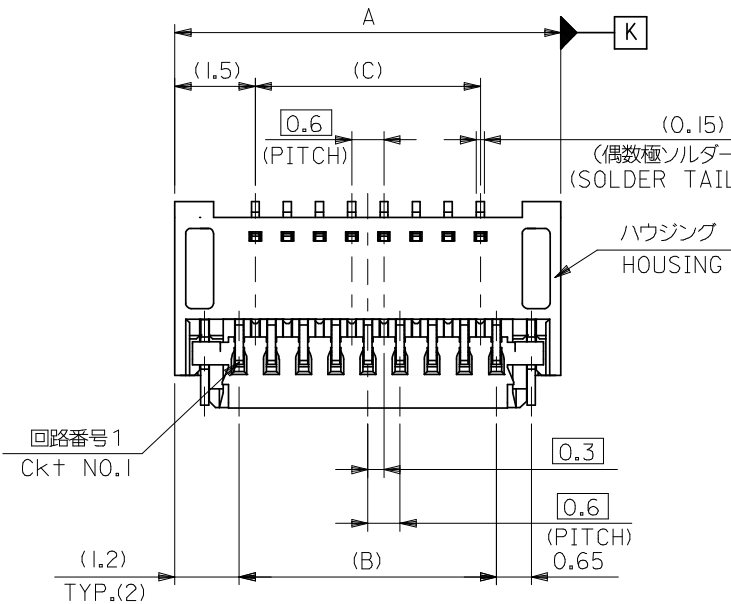


**Need more information on product  
 environmental compliance?**

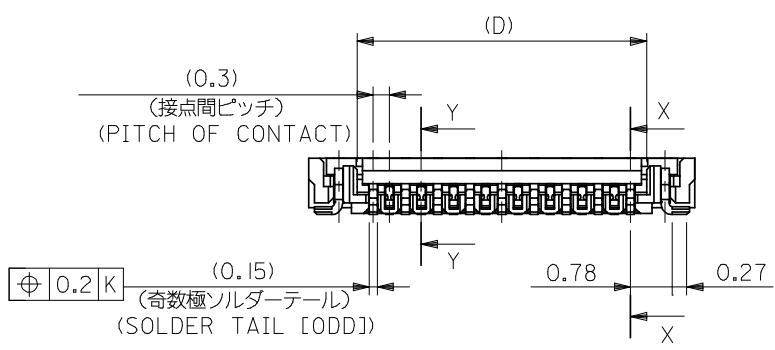
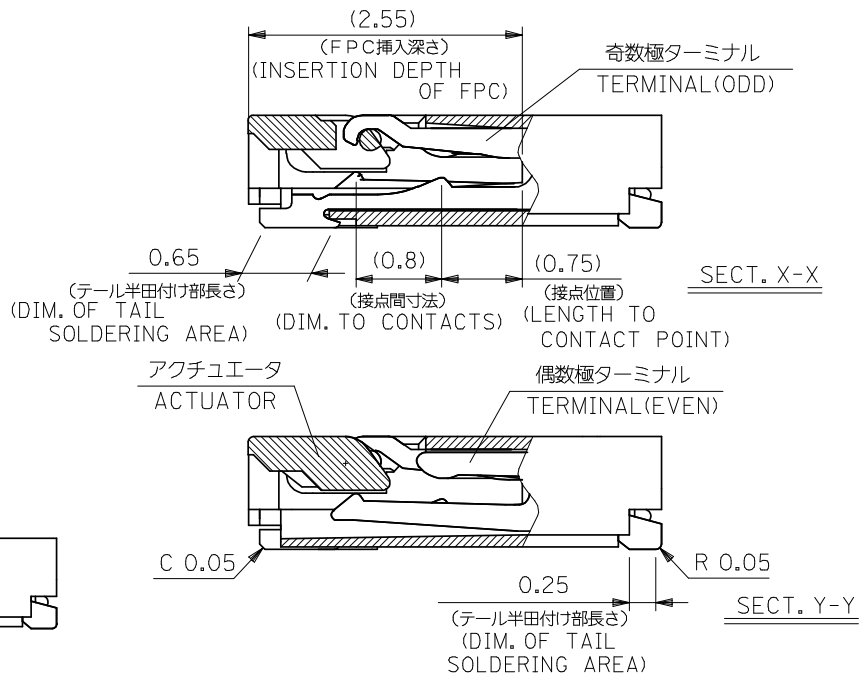
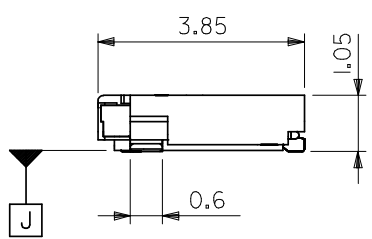
Email [productcompliance@molex.com](mailto:productcompliance@molex.com)  
 For a multiple part number RoHS Certificate of Compliance, [click here](#)

Please visit the [Contact Us](#) section for any non-product compliance questions.

**Search Parts in this Series**  
[500797Series](#)

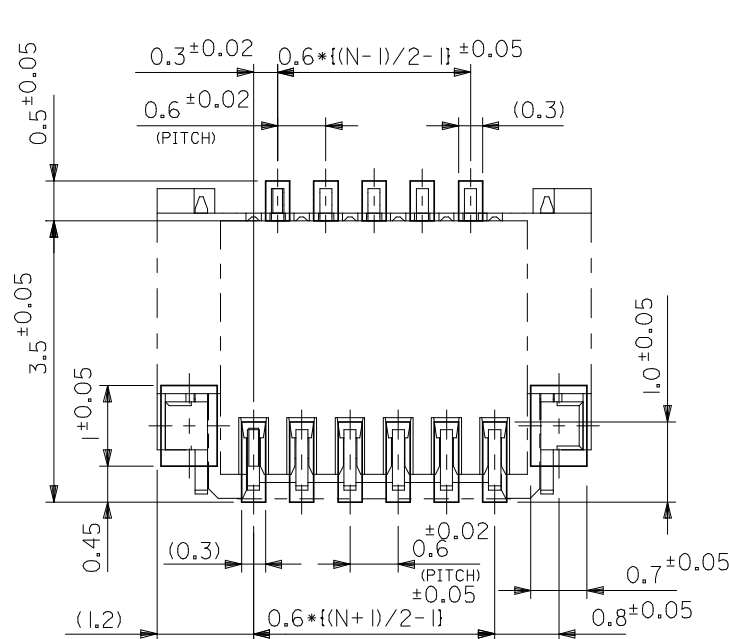


アクチュエータを開口した状態  
WHEN ACTUATOR IS OPENED



15.6	14.4	15.0	17.4	500797-5194	500797-5150	51
12.6	11.4	12.0	14.4	500797-4194	500797-4150	41
12.0	10.8	11.4	13.8	500797-3994	500797-3950	39
10.8	9.6	10.2	12.6	500797-3594	500797-3550	35
10.2	9.0	9.6	12.0	500797-3394	500797-3350	33
9.6	8.4	9.0	11.4	500797-3194	500797-3150	31
8.4	7.2	7.8	10.2	500797-2794	500797-2750	27
7.8	6.6	7.2	9.6	500797-2594	500797-2550	25
7.2	6.0	6.6	9.0	500797-2394	500797-2350	23
5.4	4.2	4.8	7.2	500797-1794	500797-1750	17
4.8	3.6	4.2	6.6	500797-1594	500797-1550	15
3.6	2.4	3.0	5.4	500797-1194	500797-1150	11
D	C	B	A	EMBOSSED TAPE		MATERIAL NO.
				ORDER No. オーダー番号		CKT.

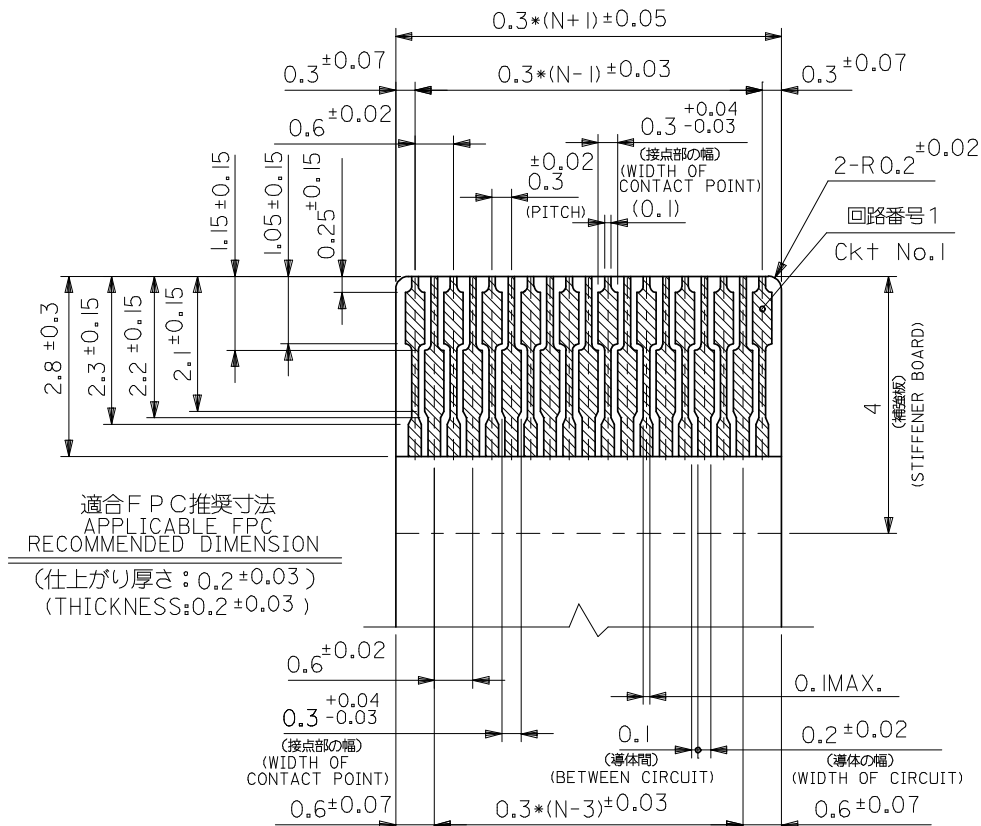
REVISED EC NO: J2008-4034 DRWN:MNABEI 2008/05/28 CH'KD:THARUYAMA 2008/05/28 APPR:NUKITA 2008/05/28	GENERAL TOLERANCES (UNLESS SPECIFIED)		DIMENSION STYLE MM ONLY		SCALE ---	DESIGN UNITS METRIC	THIRD ANGLE PROJECTION	
	10 UNDER	±0.2	DRAWN BY YMAEDA	DATE 2006/03/07	TITLE 0.3 FPC CONN E/O HSG ASSY (HGT=1.05MM) GOLD PLATING -LEAD FREE-			
	10 OVER 30 UNDER	±0.25	CHECKED BY MTANAKA	DATE 2006/03/07				
	30 OVER	±0.3	APPROVED BY NUKITA	DATE 2006/03/07	MOLEX INCORPORATED			
	ANGULAR ±3 °		MATERIAL NO. SEE TABLE		DOCUMENT NO. SD-500797-005		SHEET NO. 1 OF 2	
DRAFT WHERE APPLICABLE MUST REMAIN WITHIN DIMENSIONS		THIS DRAWING CONTAINS INFORMATION THAT IS PROPRIETARY TO MOLEX INCORPORATED AND SHOULD NOT BE USED WITHOUT WRITTEN PERMISSION						



参考基板レイアウト図  
(マウント面)  
(MOUNTING SIDE)

注記 NOTES

1. 使用材料 MATERIAL  
 ハウジング : 液晶ポリマー ガラス充填 UL94V-0  
 HOUSING : LIQUID CRYSTAL POLYMER (GLASS FILLED) UL94V-0  
 アクチュエータ : 46 ナイロン ガラス充填 UL94V-0  
 ACTUATOR : 46 NYLON (GLASS FILLED) UL94V-0  
 ターミナル : 銅合金 (t=0.15), ニッケル下地金メッキ  
 TERMINAL : COPPER ALLOY, GOLD OVER NICKEL PLATING.  
 金具 : リン青銅 (t=0.15), ニッケル下地スズメッキ  
 FITTING NAIL : PHOSPHOR-BRONZE, TIN OVER NICKEL PLATING.  
 △ ソルダータール半田付け面のズレ量、及び金具半田付け面のズレ量は、基準面 **J** に対し、  
 上方向 0.1 MAXIMUM 下方向 0.15 MAXIMUM とする。  
 又、相互のバラつき量は 0.1 MAXIMUM とする。  
 MISALIGNMENT OF SOLDER TAILS AND FITTING NAILS FROM **J**  
 UPPER DIRECTION : 0.1 MAXIMUM, LOWER DIRECTION : 0.15 MAXIMUM.  
 OFFSET BETWEEN SOLDER TAILS AND FITTING NAILS : 0.1 MAXIMUM.



適合FPC推奨寸法  
APPLICABLE FPC  
RECOMMENDED DIMENSION

(仕上がり厚さ: 0.2±0.03)  
(THICKNESS: 0.2±0.03)

FPCについて:

- 打抜き方向は導体側から補強板側を推奨いたします。  
 導体部については軟銅箔35マイクロメートルまたは50マイクロメートルを推奨致します。  
 補強フィルム材質はポリイミドを推奨します。  
 接着剤は熱硬化接着剤を推奨します。

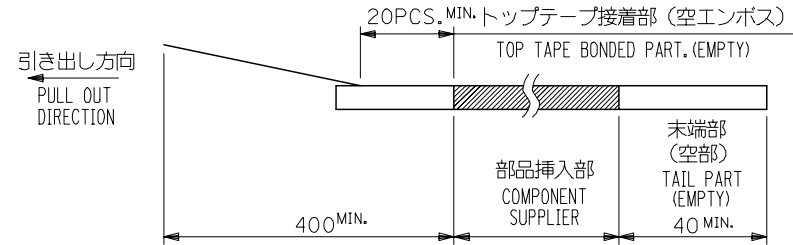
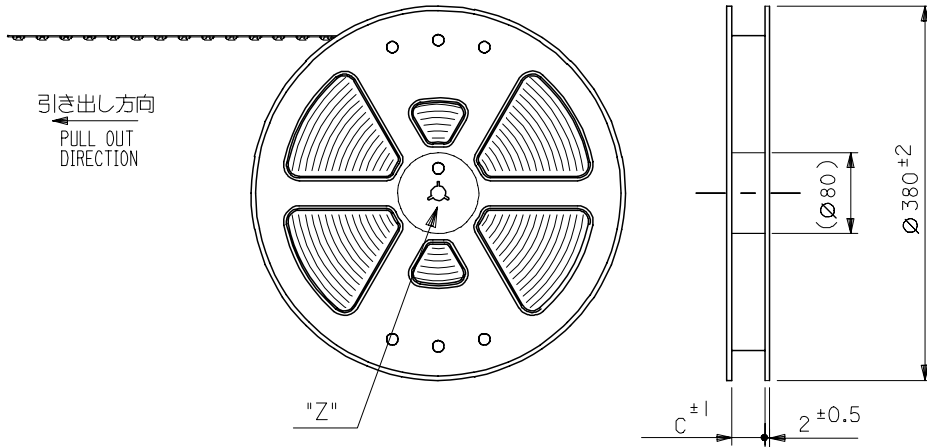
ABOUT FPC

- RECOMMENDED PUNCHER DIRECTION : FROM CONDUCTOR SIDE TO STIFFENER FILM SIDE.  
 RECOMMENDED CONDUCTOR SPEC :  
 THICKNESS OF SOFT COPPER FOIL : 35 MICROMETER OR 50 MICROMETER  
 RECOMMENDED MATERIAL :  
 STIFFENER FILM : POLYIMIDE  
 BONDING AGENT : THERMOSETTING BONDING AGENT

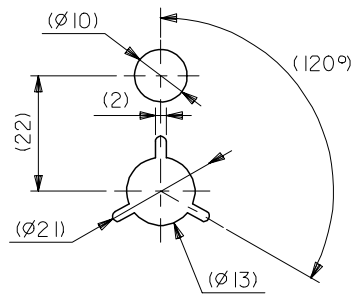
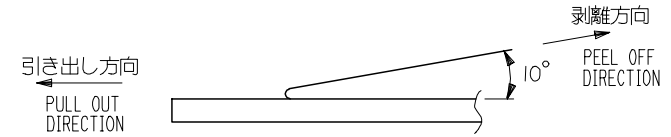
REVISED EC NO: J2008-4034 DRWN:WABEI CHKD:THARUYAMA APPR:NUKITA	DESCRIPTION 2008/05/28 2008/05/28 2008/05/28	GENERAL TOLERANCES (UNLESS SPECIFIED)		DIMENSION STYLE MM ONLY		SCALE ---	DESIGN UNITS METRIC	THIRD ANGLE PROJECTION	
		10 UNDER	±0.2	DRAWN BY YMAEDA	DATE 2006/03/06	TITLE 0.3 FPC CONN E/O HSG ASSY (HGT=1.05MM) GOLD PLATING -LEAD FREE-			
		10 OVER 30 UNDER	±0.25	CHECKED BY MTANAKA	DATE 2006/03/06	MOLEX INCORPORATED			
		30 OVER	±0.3	APPROVED BY NUKITA	DATE 2006/03/06	MATERIAL NO. SEE SHEET 1	DOCUMENT NO. SD-500797-005	SHEET NO. 2 OF 2	
D	REV	DRAFT WHERE APPLICABLE MUST REMAIN WITHIN DIMENSIONS		SIZE A3		THIS DRAWING CONTAINS INFORMATION THAT IS PROPRIETARY TO MOLEX INCORPORATED AND SHOULD NOT BE USED WITHOUT WRITTEN PERMISSION			

NOTES

- 製品詳細寸法については図面 SD-500797-005 を参照下さい。  
RE DETAILED DIMENSION, SEE SD-500797-005
- 梱包数量：3000個/リール  
NUMBER OF CONNECTORS : 3000PCS/REEL
- リードテープ長さ LEAD TAPE LENGTH



- トップテープの剥離強度：0.1N ~ 1.3N(10.2gf ~ 132.6gf)  
(剥離方向は下図参照)  
尚、本規格値は出荷時に適用。(但し、輸送時に剥離が発生しないこと。)  
PEELING OFF FORCE OF TOP TAPE : 0.1N ~ 0.7N(10.2gf ~ 71.4gf)  
(PEELING DIRECTION AS SHOWN IN FOLLOWING FIG.)  
THIS REQUIREMENT SHOULD BE APPLIED AT SHIPMENT.  
PEEL OFF SHOULD NOT BE ALLOWED , DURING TRANSPORTATION.



DETAIL "Z"

- 材料(MATERIAL)  
キャリアテープ(CARRIER TAPE)：ポリプロピレン(POLYPROPYLENE)  
トップテープ(TOPTAPE)：PET, PE, PEF  
リール(REEL)：ポリスチレン(PS) <リサイクル材含む>  
POLYSTYREN (PS) <RECYCLE MATERIAL CONTAINED>
- C寸法は SHEET 2 ~ 4 を参照下さい。  
SEE SHEET 2 ~ 4 (DIMENSION C).
- 欠品無きこと。  
THERE SHALL BE NO MISSING PRODUCTS.

500797-\*\*-94 MODEL NO.

REVISED EC NO: J2008-0003 DRW:YMAEDA 2007/07/02 CHK:K.MORIKAWA 2007/07/02 APP:K.MORIKAWA 2007/07/03	GENERAL TOLERANCES (UNLESS SPECIFIED)		DIMENSION STYLE MM ONLY	SCALE ---	DESIGN UNITS METRIC	THIRD ANGLE PROJECTION
	10 UNDER	±0.2	DRAWN BY YMAEDA	DATE 2006/03/07	TITLE EMBSTP PKG FOR 0.3 FPC CONN (HGT=1.05MM) GOLD PLATING -LEAD FREE-	
	10 OVER 30 UNDER	±0.25	CHECKED BY MTANAKA	DATE 2006/03/07	MOLEX INCORPORATED	
	30 OVER	±0.3	APPROVED BY NUKITA	DATE 2006/03/07	DOCUMENT NO. SD-500797-006	SHEET NO. 1 OF 4
	ANGULAR	±3 °	MATERIAL NO. SEE CHART			
DRAFT WHERE APPLICABLE MUST REMAIN WITHIN DIMENSIONS		SIZE A3		THIS DRAWING CONTAINS INFORMATION THAT IS PROPRIETARY TO MOLEX INCORPORATED AND SHOULD NOT BE USED WITHOUT WRITTEN PERMISSION		

10 9 8 7 6 5 4 3 2 1

F

F

E

E

D

D

C

C

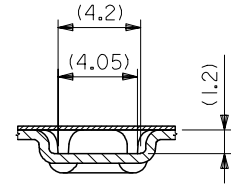
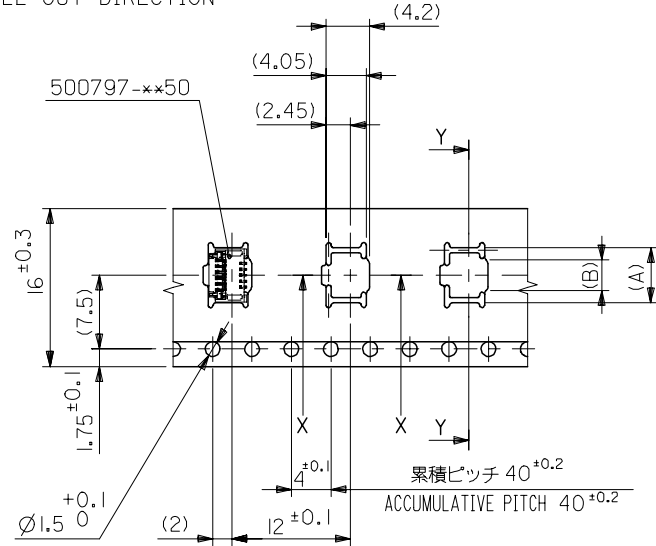
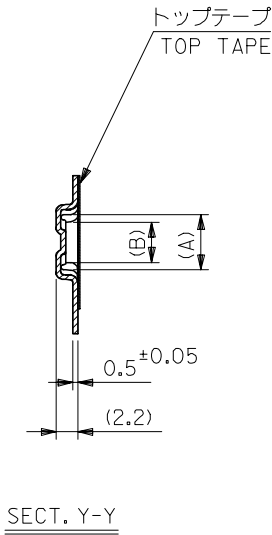
B

B

A

A

引き出し方向  
PULL OUT DIRECTION



16mm幅キャリアテープ  
16mm WIDTH CARRIER TAPE

16	17.5	4.6	6.8	500797-1594	15
キャリアテープ幅 CARRIER TAPE WIDTH	C	(B)	(A)	製品番号 MATERIAL No.	極数 CK+
				500797-xx94	MODEL No.

REVISED EC NO: J2008-0003 DRWN:MIYASHI 2007/07/02 CHKDK: MORIKAWA 2007/07/02 APPR: MORIKAWA 2007/07/03	GENERAL TOLERANCES (UNLESS SPECIFIED)		DIMENSION STYLE MM ONLY		SCALE ---	DESIGN UNITS METRIC	THIRD ANGLE PROJECTION		
	10 UNDER	± 0.2	DRAWN BY YMAEDA		DATE 2006/03/07		TITLE EMBSTP PKG FOR 0.3 FPC CONN (HGT=1.05MM) GOLD PLATING -LEAD FREE-		
	10 OVER 30 UNDER	± 0.25	CHECKED BY MTANAKA		DATE 2006/03/07		MOLEX INCORPORATED		
	30 OVER	± 0.3	APPROVED BY NUKITA		DATE 2006/03/07		DOCUMENT NO. SD-500797-006		
	ANGULAR	± 3 °	MATERIAL NO.		SEE CHART		SHEET NO. 2 OF 4		
DRAFT WHERE APPLICABLE MUST REMAIN WITHIN DIMENSIONS		SIZE A3		THIS DRAWING CONTAINS INFORMATION THAT IS PROPRIETARY TO MOLEX INCORPORATED AND SHOULD NOT BE USED WITHOUT WRITTEN PERMISSION					

10 9 8 7 6 5 4 3 2 1

F

F

E

E

D

D

C

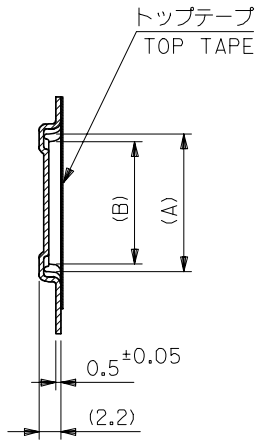
C

B

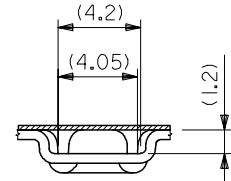
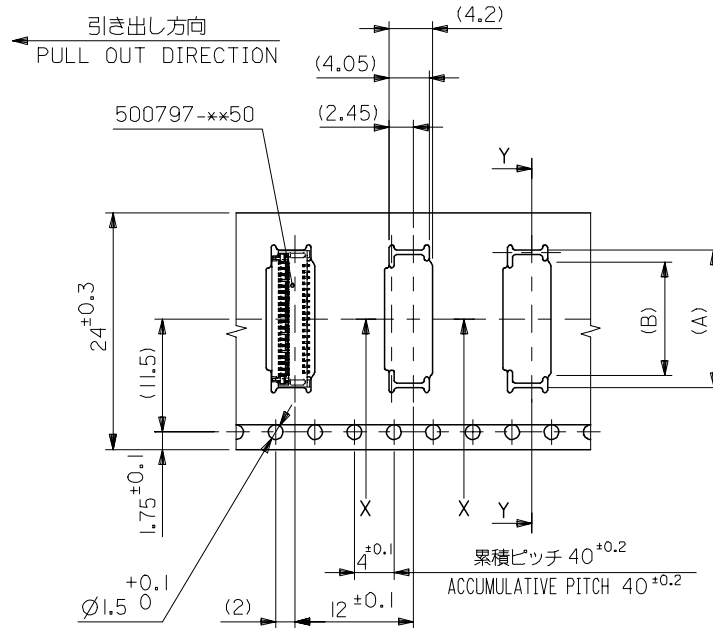
B

A

A



SECT. Y-Y



SECT. X-X

24mm幅キャリアテープ  
24mm WIDTH CARRIER TAPE

24	25.5	12.4	14.6	500797-4194	41	
		11.8	14.0	500797-3994	39	
		10.6	12.8	500797-3594	35	
		10.0	12.2	500797-3394	33	
		9.4	11.6	500797-3194	31	
		8.2	10.4	500797-2794	27	
		7.6	9.8	500797-2594	25	
		7.0	9.2	500797-2394	23	
		5.2	7.4	500797-1794	17	
キャリアテープ幅 CARRIER TAPE WIDTH		C	(B)	(A)	製品番号 MATERIAL No.	極数 Ck†

500797-\*\*94 MODEL No.

REVISED EC NO: J2008-0003 DRWN: M. YASHI 2007/07/02 CHKDK: MORIKAWA 2007/07/02 APPR: MORIKAWA 2007/07/03	GENERAL TOLERANCES (UNLESS SPECIFIED)		DIMENSION STYLE MM ONLY		SCALE ---	DESIGN UNITS METRIC	THIRD ANGLE PROJECTION
	10 UNDER	± 0.2	DRAWN BY YMAEDA	DATE 2006/03/07	TITLE EMBSTP PKG FOR 0.3 FPC CONN (HGT=1.05MM) GOLD PLATING -LEAD FREE-		
	10 OVER 30 UNDER	± 0.25	CHECKED BY MTANAKA	DATE 2006/03/07	MOLEX INCORPORATED		
	30 OVER	± 0.3	APPROVED BY NUKITA	DATE 2006/03/07	DOCUMENT NO. SD-500797-006		
	ANGULAR	± 3 °	MATERIAL NO. SEE CHART		SHEET NO. 3 OF 4		
DRAFT WHERE APPLICABLE MUST REMAIN WITHIN DIMENSIONS		SIZE A3		THIS DRAWING CONTAINS INFORMATION THAT IS PROPRIETARY TO MOLEX INCORPORATED AND SHOULD NOT BE USED WITHOUT WRITTEN PERMISSION			

9

8

7

6

5

4

3

2

10 9 8 7 6 5 4 3 2 1

F

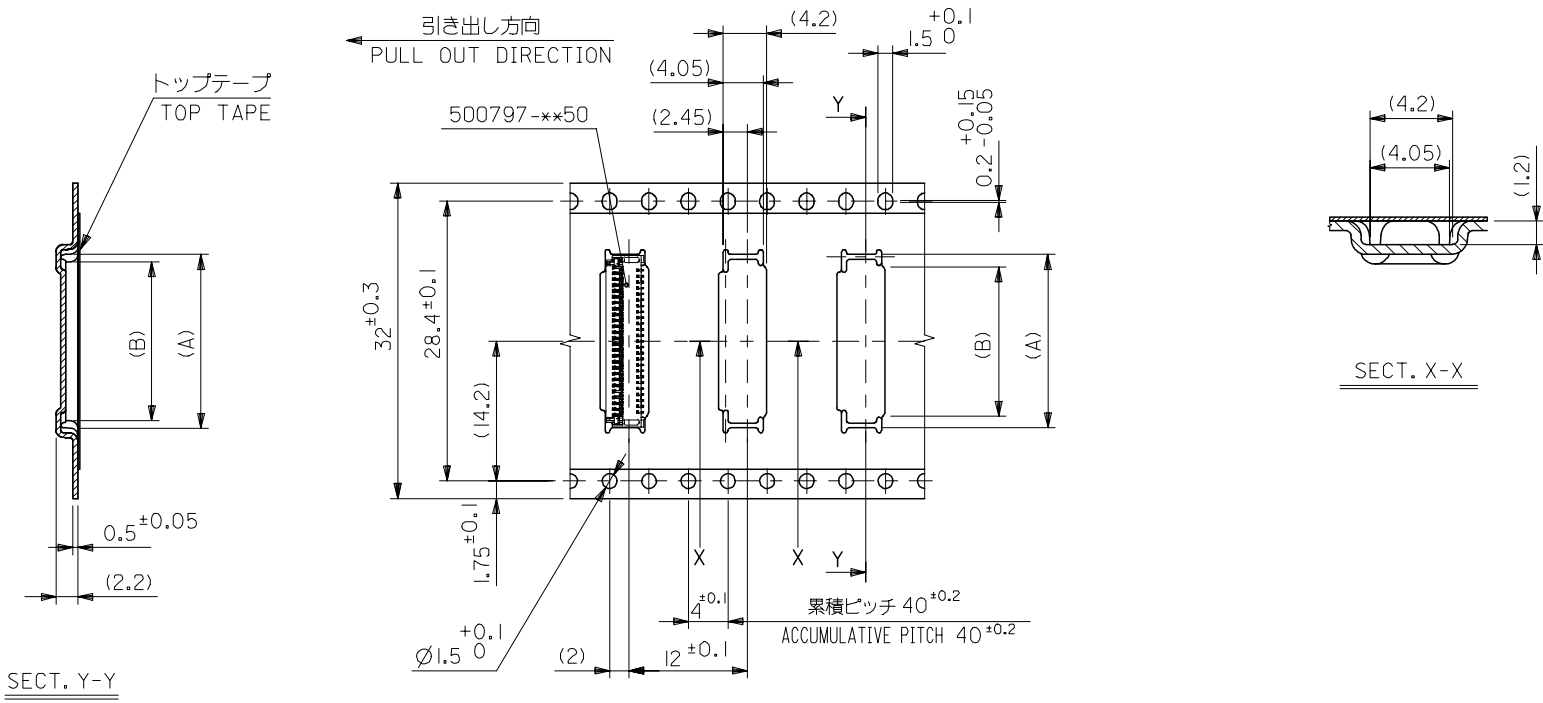
E

D

C

B

A



32mm幅キャリアテープ  
32mm WIDTH CARRIER TAPE

32	33.5	15.4	17.6	500797-5194	51
キャリアテープ幅 CARRIER TAPE WIDTH	C	(B)	(A)	製品番号 MATERIAL No.	極数 CK±
				500797-**94	MODEL No.

REVISED EC NO: J2008-0003 DRWN:MIYASHI 2007/07/02 CHKDK: MORIKAWA 2007/07/02 APPR: MORIKAWA 2007/07/03	GENERAL TOLERANCES (UNLESS SPECIFIED)		DIMENSION STYLE MM ONLY	SCALE ---	DESIGN UNITS METRIC	THIRD ANGLE PROJECTION	
	10 UNDER	±0.2	DRAWN BY YMAEDA	DATE 2006/03/07	TITLE EMBSTP PKG FOR 0.3 FPC CONN (HGT=1.05MM) GOLD PLATING -LEAD FREE-		
	10 OVER 30 UNDER	±0.25	CHECKED BY MTANAKA	DATE 2006/03/07	MOLEX INCORPORATED		
	30 OVER	±0.3	APPROVED BY NUKITA	DATE 2006/03/07	MATERIAL NO.	DOCUMENT NO. SD-500797-006	SHEET NO. 4 OF 4
	ANGULAR	±3 °	DRAFT WHERE APPLICABLE MUST REMAIN WITHIN DIMENSIONS		SIZE A3	THIS DRAWING CONTAINS INFORMATION THAT IS PROPRIETARY TO MOLEX INCORPORATED AND SHOULD NOT BE USED WITHOUT WRITTEN PERMISSION	

9

8

7

6

5

4

3

2