

**PLEASE CHECK WWW.MOLEX.COM FOR LATEST PART INFORMATION**

**Part Number:** [0495972037](#)  
**Status:** **Active**  
**Description:** 1.25mm (.049") FPC/FFC Backflip Housing, 20 Circuits, Black, Halogen Free

**Documents:**

[3D Model](#) [Product Specification PS-49597-001 \(PDF\)](#)  
[Drawing \(PDF\)](#) [RoHS Certificate of Compliance \(PDF\)](#)

**General**

Product Family FFC/FPC Connectors  
 Series [49597](#)  
 Product Name BackFlip™

**Physical**

Circuits (Loaded) 20  
 Circuits (maximum) 20  
 Color - Resin Black  
 Contact Position Bottom  
 Durability (mating cycles max) 250  
 Entry Angle Side Entry  
 Material - Metal Copper Nickel  
 Material - Plating Mating Tin  
 Material - Plating Termination Copper  
 Material - Resin Nylon  
 Number of Rows 1  
 Orientation Right Angle  
 PCB Locator No  
 PCB Retention None  
 Packaging Type Embossed Tape on Reel  
 Pitch - Mating Interface (in) 0.049 In  
 Pitch - Mating Interface (mm) 1.25 mm  
 Polarized to PCB No  
 Stackable No  
 Surface Mount Compatible (SMC) Yes  
 Temperature Range - Operating N/A  
 Termination Interface: Style IDT or Pierce  
 Wire/Cable Type FFC/FPC

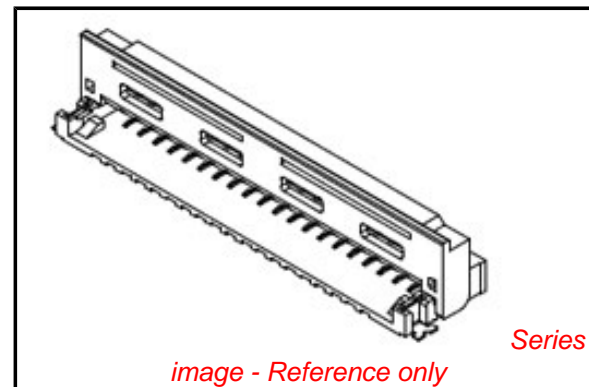
**Electrical**

Current - Maximum per Contact 1A  
 Voltage - Maximum 300V

**Material Info**

**Reference - Drawing Numbers**

Packaging Specification PK-49597-001  
 Product Specification PS-49597-001  
 Sales Drawing SD-49597-001



**EU RoHS**

**ELV and RoHS  
 Compliant**  
**REACH SVHC**  
 Not Reviewed  
**Halogen-Free  
 Status**

**China RoHS**



**Need more information on product  
 environmental compliance?**

Email [productcompliance@molex.com](mailto:productcompliance@molex.com)  
 For a multiple part number RoHS Certificate of  
 Compliance, [click here](#)

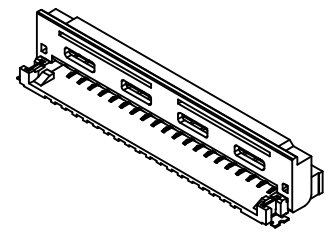
Please visit the [Contact Us](#) section for any  
 non-product compliance questions.

**Search Parts in this Series**

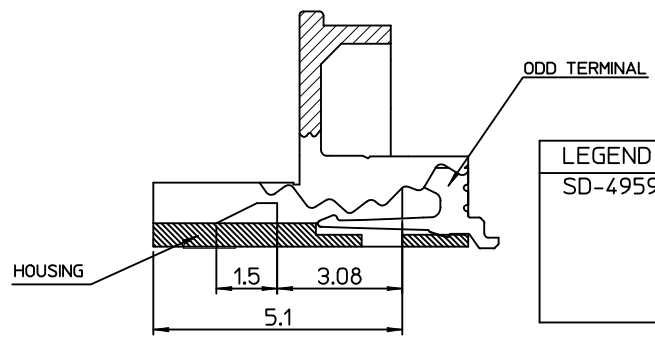
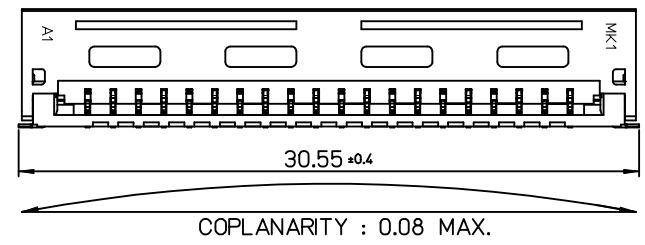
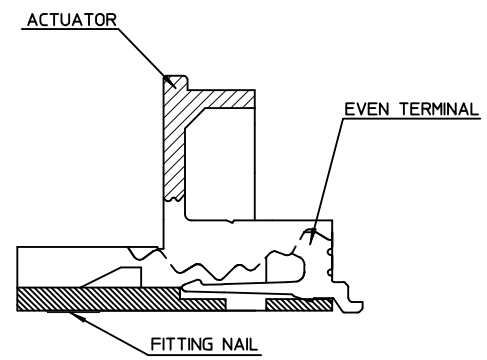
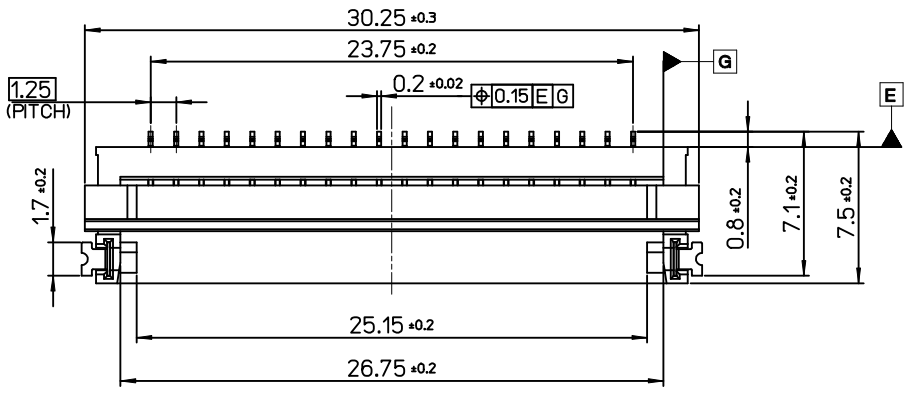
[49597Series](#)

10 9 8 7 6 5 4 3 2 1

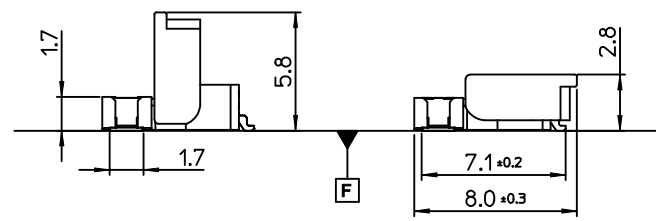
LEAD-FREE



ISOMETRIC VIEW



LEGEND	
SD-49597-20*7	COLOR
0	NATURAL
1	BLACK
3	NATURAL, HALOGEN FREE
4	BLACK, HALOGEN FREE



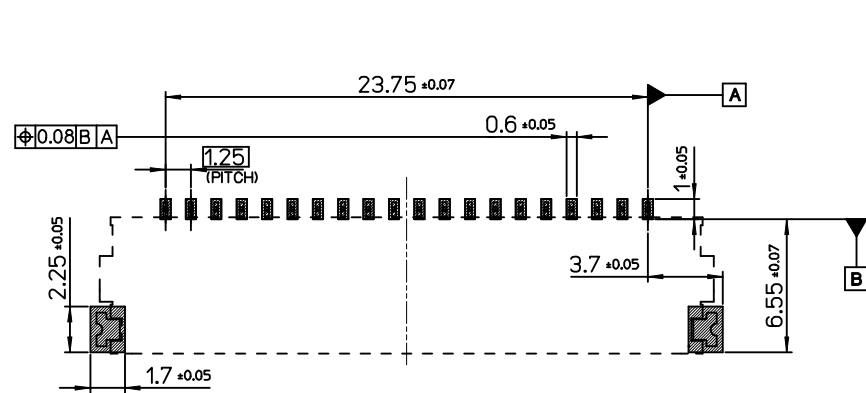
NOTES

- MATERIAL
  - HOUSING : PA46 ,GLASS FILLED. UL94V-0, COLOR: BEIGE.  
LCP, GLASS FILLED. UL94V-0, COLOR: NATURAL
  - ACTUATOR : LCP, GLASS FILLED. UL94V-0, COLOR: NATURAL, BLACK.
  - TERMINAL : COPPER ALLOY.
  - FITTING NAIL : COPPER ALLOY.
- FINISHES
  - TERMINAL : Tin[Sn] OVER NICKEL[Ni] PLATING.
  - FITTING NAIL : TIN[Sn] OVER NICKEL[Ni] PLATING.
- PRODUCT SPECIFICATION : PS-49597-001
- PACKING SPECIFICATION : PK-49597-001
- ACTUATOR IS OPEN IN THE EMBOSSED PACKING

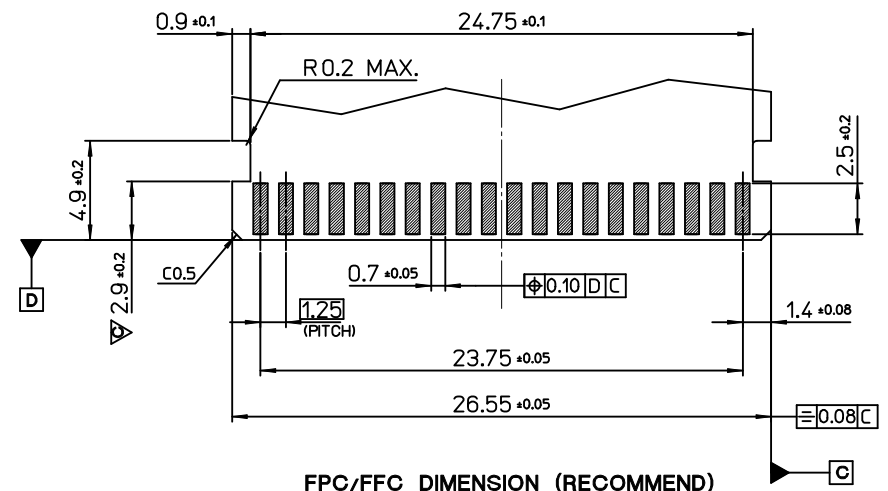
REVISED EC NO: KOR2010-0012 DRWN: JHJEONG 2009/07/24 CHKD: YS00KIM 2009/07/24 APPR: YUNSIKIM 2009/07/24	DESCRIPTION REV	QUALITY SYMBOLS	GENERAL TOLERANCES (UNLESS SPECIFIED)	DIMENSION STYLE	SCALE	DESIGN UNITS	THIRD ANGLE PROJECTION
		$\nabla=0$ $\nabla=0$	mm    INCH 4 PLACES ± --- ± --- 3 PLACES ± --- ± --- 2 PLACES ± 0.2 ± --- 1 PLACE ± 0.25 ± --- ANGULAR ± 1 °	MM ONLY	4:1	METRIC	DRAWN BY: JHLEE    DATE: 2007/03/09 CHECKED BY:    DATE: APPROVED BY: YS00KIM    DATE: 2007/03/09 MATERIAL NO.    DOCUMENT NO.
		DRAFT WHERE APPLICABLE MUST REMAIN WITHIN DIMENSIONS	SEE TABLE SIZE A3	TITLE: 1.25 FPC/FFC B/F CONN HOUSING ASS'Y 20P (BOTTOM CONTACT) MOLEX INCORPORATED SD-49597-001	SHEET NO. 1 OF 3		
		THIS DRAWING CONTAINS INFORMATION THAT IS PROPRIETARY TO MOLEX INCORPORATED AND SHOULD NOT BE USED WITHOUT WRITTEN PERMISSION					

9 8 7 6 5 4 3 2 1

**LEAD-FREE**

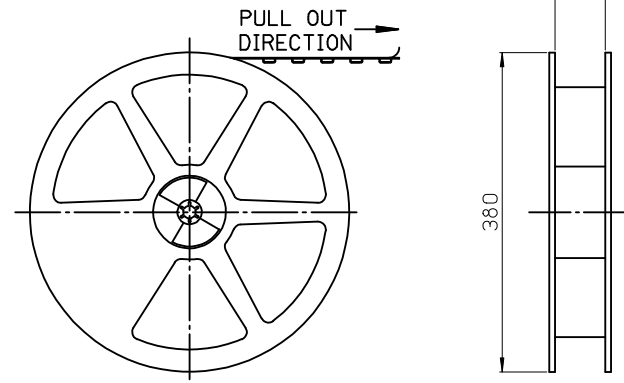
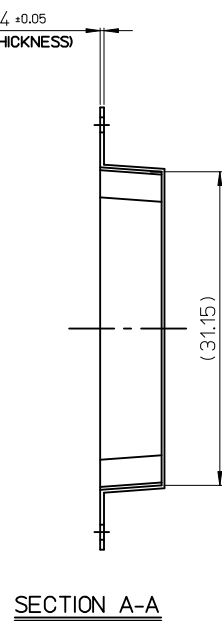
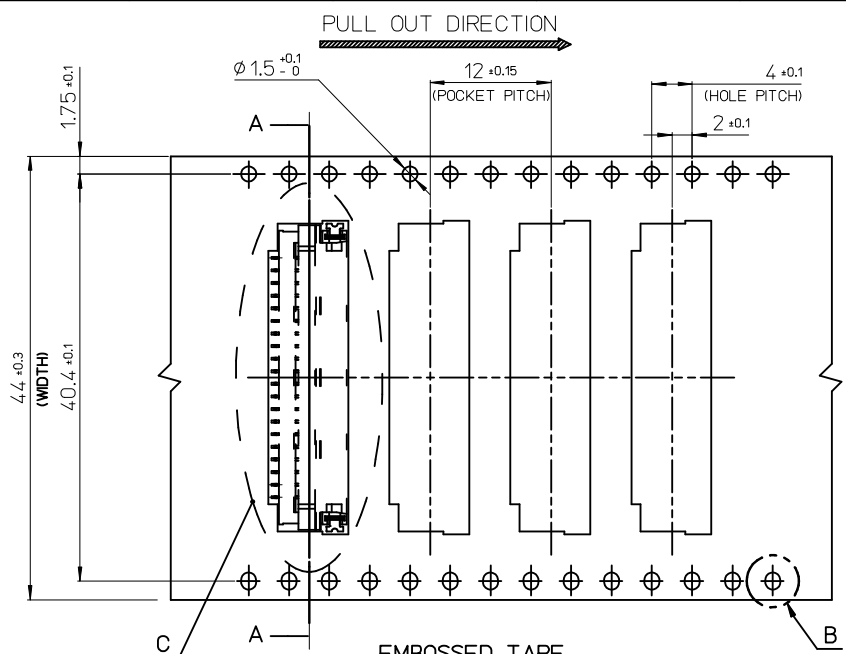


P.C. BOARD DIMENSION (RECOMMEND)

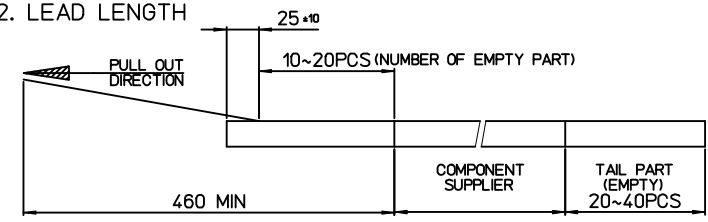


FPC/FFC DIMENSION (RECOMMEND)  
(FLIM THICKNESS = 0.3±0.05)

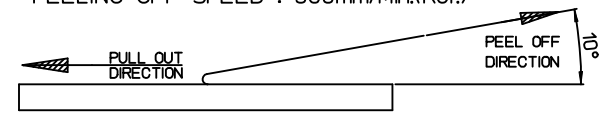
REVISED EC NO: KOR2010-0012 DRWN: JHJ CHKD: YS APPR: YS	DESCRIPTION 2009/07/24 2009/07/24 2009/07/24	QUALITY SYMBOLS ▽=0 ▽=0	GENERAL TOLERANCES (UNLESS SPECIFIED)		DIMENSION STYLE <b>MM ONLY</b>		SCALE 4:1	DESIGN UNITS METRIC	THIRD ANGLE PROJECTION			
				mm	INCH	DRAWN BY JHLEE	DATE 2007/03/09	TITLE <b>1.25 FPC/FFC B/F HOUSING ASS'Y 20P (BOTTOM CONTACT)</b>				
			4 PLACES	± ---	± ---	CHECKED BY KSKIM	DATE 2007/03/09					
			3 PLACES	± ---	± ---	APPROVED BY YSOOKIM	DATE 2007/03/09	MOLEX INCORPORATED				
2 PLACES	± 0.2	± ---	MATERIAL NO. SEE TABLE	DOCUMENT NO. SD-49597-001	SHEET NO. 2 OF 3							
DRAFT WHERE APPLICABLE MUST REMAIN WITHIN DIMENSIONS			ANGULAR ± 1 °		THIS DRAWING CONTAINS INFORMATION THAT IS PROPRIETARY TO MOLEX INCORPORATED AND SHOULD NOT BE USED WITHOUT WRITTEN PERMISSION							



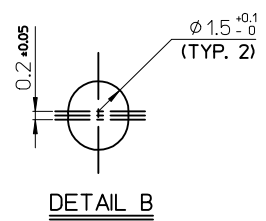
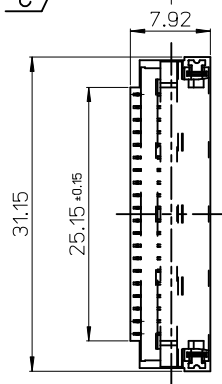
- NOTES
1. QUANTITY OF CONNECTORS : 1200PCS/REEL
  2. LEAD LENGTH



3. PEELING OFF FORCE OF COVER TAPE : 0.1N~0.59N(10.2GF~60GF)  
(PEELING DIRECTION AS SHOW IN FOLLOW FIG.)  
PEELING OFF SPEED : 300mm/Min.(Ref.)



4. FLASH IN ANY PORTION SHOULD BE LESS THAN 0.20mm MAX.



HALOGEN FREE	495972047	495972040	49597-9920	44mm	BLACK
	495972037	495972030			NATURAL
NON-HF	495972017	495972010			BLACK
	495972007	495972000			NATURAL
TYPE	MATERIAL NO.	CONNECTOR	EMBOSS TAPE	TAPE WIDTH	COLOR
3		PLASTIC BOBBIN	HI P.S		WHITE
2		COVER TAPE	P.E.T		37.5mm
1		CARRIER (EMBOSSD) TAPE	P.E.T		
NO.	DESCRIPTION		MATERIAL	REMARK	

REVISED

EC NO: KOR2010-0012

DRWN:HJEONG 2009/07/24

CHKD:YSOOKIM 2009/07/24

APPR:YUNSIKKIM 2009/07/24

QUALITY SYMBOLS	$\nabla=0$	GENERAL TOLERANCES (UNLESS SPECIFIED)	DIMENSION STYLE		SCALE	DESIGN UNITS	THIRD ANGLE PROJECTION
	$\sphericalcap=0$		MM ONLY	1:1	METRIC		
		mm	INCH	DRAWN BY	DATE	TITLE	
		4 PLACES	$\pm$ ---	$\pm$ ---	JHLEE	2007/03/09	1.25 FPC/FFC B/F CONN HOUSING ASS'Y 20P (BOTTOM CONTACT)
		3 PLACES	$\pm$ ---	$\pm$ ---	CHECKED BY	DATE	
		2 PLACES	$\pm 0.2$	$\pm$ ---	KSKIM	2007/03/09	MOLEX INCORPORATED
		1 PLACE	$\pm 0.25$	$\pm$ ---	APPROVED BY	DATE	
		ANGULAR $\pm 1^\circ$		YSOOKIM		2007/03/09	
		DRAFT WHERE APPLICABLE MUST REMAIN WITHIN DIMENSIONS		MATERIAL NO.	DOCUMENT NO.		
				SEE TABLE	SD-49597-001		

SIZE	THIS DRAWING CONTAINS INFORMATION THAT IS PROPRIETARY TO MOLEX INCORPORATED AND SHOULD NOT BE USED WITHOUT WRITTEN PERMISSION						
A3							
	SHEET NO.						
	3 OF 3						