

PLEASE CHECK WWW.MOLEX.COM FOR LATEST PART INFORMATION

Part Number: **0470182001**
Status: **Active**
Description: 1.27mm (.050") Pitch Serial ATA Host Receptacle, Mating Height 4.30mm (.169"), 0.76µm (30µ") Gold (Au) Plating, Light Tin Solder Area, Surface Mount, Right Angle, Top Mount Type, 22 Circuits, Lead Free

Documents:

[3D Model](#) [Product Specification PS-67492-001 \(PDF\)](#)
[Drawing \(PDF\)](#) [RoHS Certificate of Compliance \(PDF\)](#)

Agency Certification

CSA LR 19980
 UL E29179

General

Product Family PCB Receptacles
 Series [47018](#)
 Application Board-to-Board
 Comments Top Mount Type
 Product Name Serial ATA

Physical

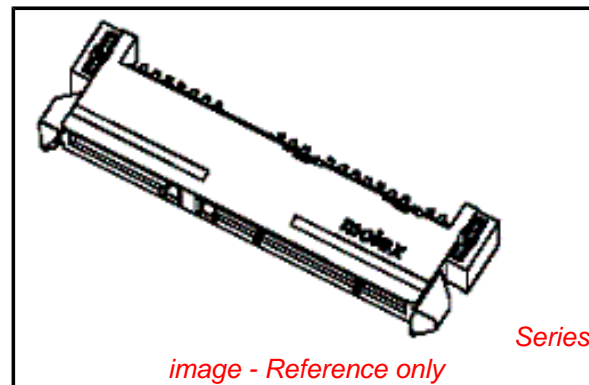
Circuits (Loaded) 22
 Color - Resin Black
 Durability (mating cycles max) 500
 Flammability 94V-0
 Glow-Wire Compliant No
 Keying to Mating Part Yes
 Lock to Mating Part None
 Material - Metal Copper Alloy
 Material - Plating Mating Gold
 Material - Plating Termination Tin
 Number of Rows 1
 Orientation Right Angle
 PCB Locator Yes
 PCB Retention Yes
 PCB Thickness Recommended (in) 0.062 In
 PCB Thickness Recommended (mm) 1.60 mm
 Packaging Type Tray
 Pitch - Mating Interface (in) 0.050 In
 Pitch - Mating Interface (mm) 1.27 mm
 Plating min: Mating (µin) 30
 Plating min: Mating (µm) 0.76
 Plating min: Termination (µin) 80
 Plating min: Termination (µm) 2.00
 Polarized to Mating Part Yes
 Polarized to PCB Yes
 Surface Mount Compatible (SMC) N/A
 Temperature Range - Operating -35°C to +85°C
 Termination Interface: Style Surface Mount

Electrical

Current - Maximum per Contact 1.5A
 Voltage - Maximum 15V DC

Solder Process Data

Lead-free Process Capability Reflow Capable (SMT only)



EU RoHS

ELV and RoHS Compliant
REACH SVHC
 Not Reviewed
Halogen-Free Status
 Not Reviewed

China RoHS



Need more information on product environmental compliance?

Email productcompliance@molex.com
 For a multiple part number RoHS Certificate of Compliance, [click here](#)

Please visit the [Contact Us](#) section for any non-product compliance questions.

Search Parts in this Series

47018Series

Mates With

87703-0001

Process Temperature max. C 230

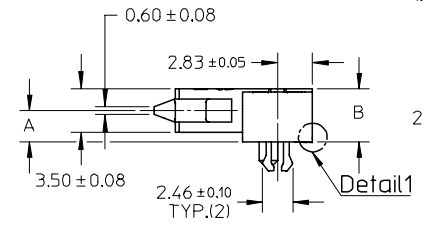
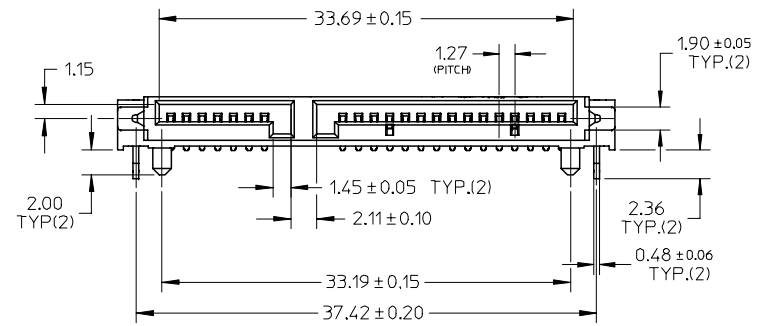
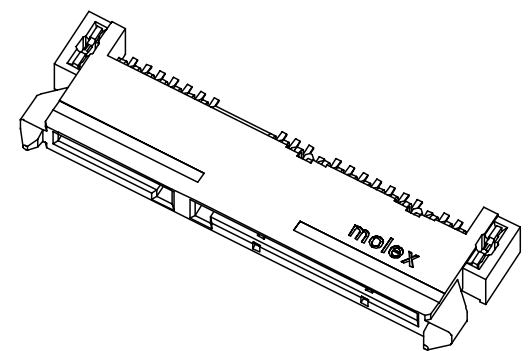
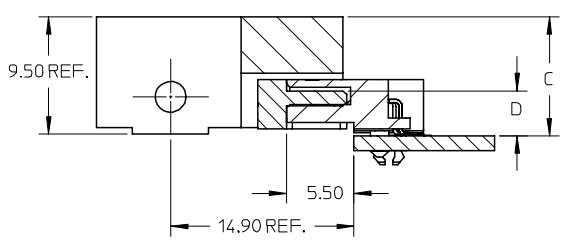
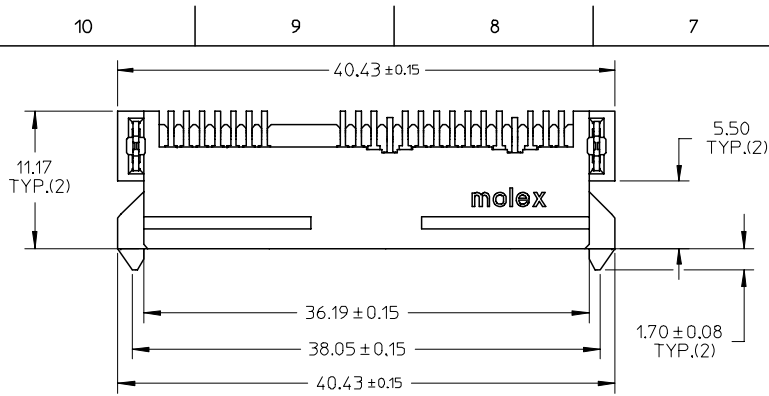
Material Info

Reference - Drawing Numbers

Packaging Specification	PK-67492-001
Product Specification	PS-67492-001
Sales Drawing	SD-47018-001

This document was generated on 05/04/2010

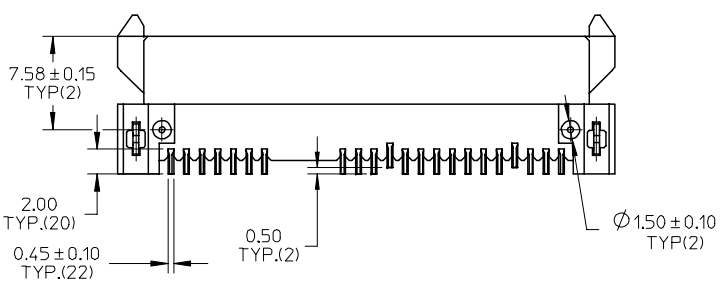
PLEASE CHECK WWW.MOLEX.COM FOR LATEST PART INFORMATION



Detail1

NOTES:

- MATERIAL:
 - HOUSING: THERMAL PLASTIC, GLASS FILLED, UL94V-0. COLOR: BLACK,
 - FORKLOCK: COPPER ALLOY,
 - TERMINALS: COPPER ALLOY.
- TERMINAL PLATING:
 - CONTACT AREA:
 - (a) GOLD FLASH;
 - (b) GOLD, THICKNESS=0.76 MICRONS MINIMUM,
 - (c) GOLD, THICKNESS=0.38 MICRONS MINIMUM,
 - SOLDER AREA: TIN, THICKNESS=2.00 MICRONS MINIMUM,
 - UNDER PLATE: NICKEL, THICKNESS=1.27 MICRONS MINIMUM.
- FORLOCK PLATING:
 - SOLDER AREA: TIN, THICKNESS=2.00 MICRONS MINIMUM,
 - UNDER PLATING: NICKEL, THICKNESS=1.27 MICRONS MINIMUM.
- PRODUCT SPECIFICATION: PS-67492-001.
- PACKAGING METHOD: 47018-400*, TAPE REEL, DETAIL REFER TO PK-47018-003, OTHERS, TRAY, DETAIL REFER TO PK-67492-001.
- MATING PARTS: 87703/87672.
- PRODUCT COMPLIANT TO RoSH DIRECTIVE 2002/95/EC AND 2000/53/EC.



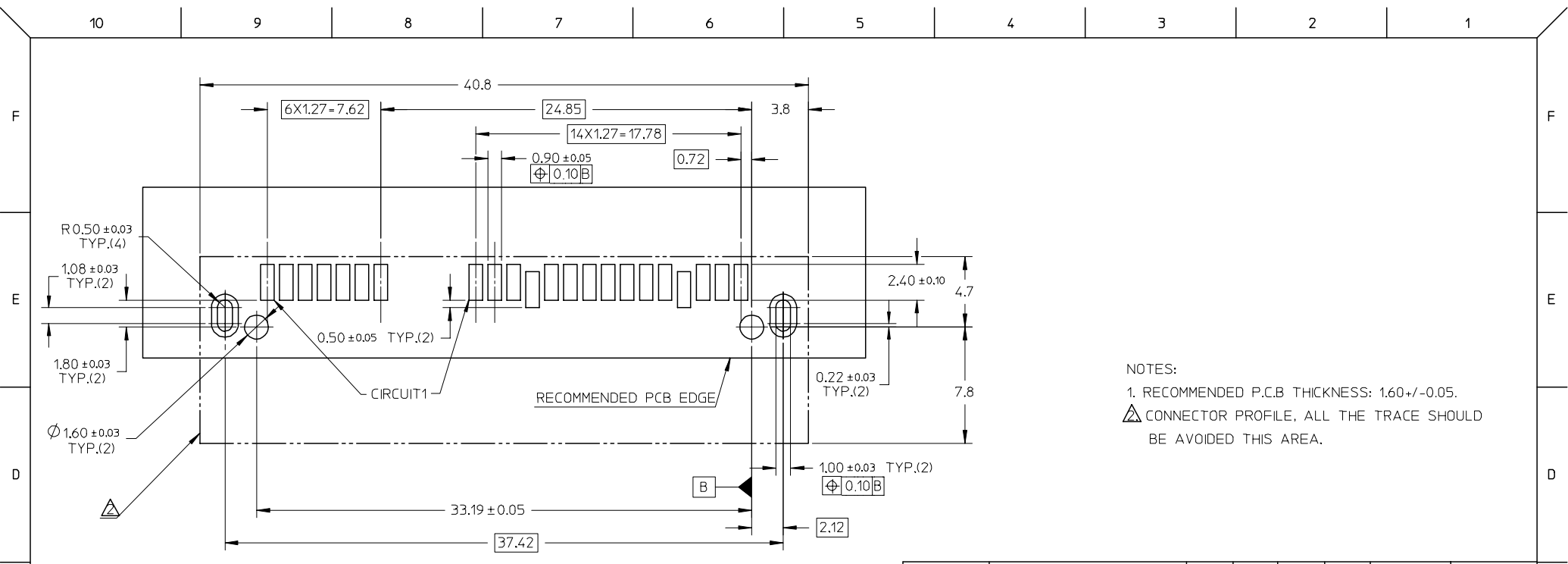
ADD PART NO	2006/09/15
EC NO: SH2007-0187	2006/09/19
DRWN:HZHA006	2006/10/17
CHKD:JTIAN	
APPR: JNCHEH	

QUALITY SYMBOLS	DESCRIPTION
▽=0	
▽C=0	

GENERAL TOLERANCES (UNLESS SPECIFIED)	
mm	INCH
4 PLACES ± ---	± ---
3 PLACES ± ---	± ---
2 PLACES ± 0.25	± ---
1 PLACE ± 0.25	± ---
ANGULAR ± 3 °	
DRAFT WHERE APPLICABLE MUST REMAIN WITHIN DIMENSIONS	

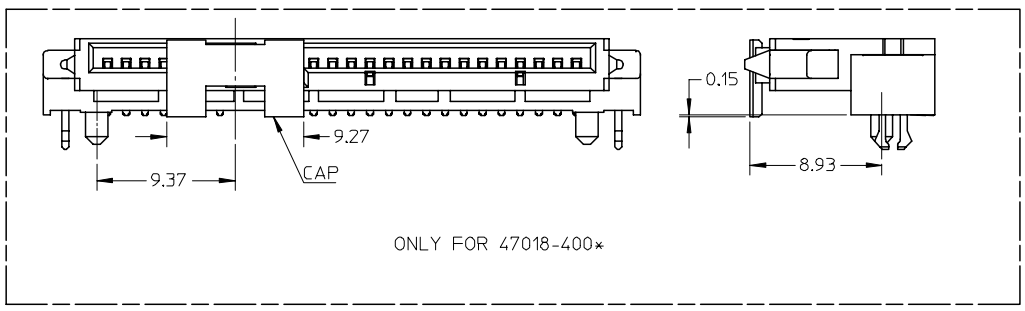
DIMENSION STYLE	
MM ONLY	
DRAWN BY	DATE
TOM LI	2004/10/25
CHECKED BY	DATE
GRATE MA	2004/10/25
APPROVED BY	DATE
VINCENT	2004/10/25
MATERIAL NO.	
SEE SHEET 2	

SCALE	DESIGN UNITS	THIRD ANGLE PROJECTION	
2:1	METRIC		
SERIAL ATA DOCKING CONNECTOR TOP MOUNT TYPE			
moLEX		MOLEX INCORPORATED	
DOCUMENT NO.		SHEET NO.	
SD-47018-001		1 OF 2	
THIS DRAWING CONTAINS INFORMATION THAT IS PROPRIETARY TO MOLEX INCORPORATED AND SHOULD NOT BE USED WITHOUT WRITTEN PERMISSION			



NOTES:
 1. RECOMMENDED P.C.B THICKNESS: 1.60+/-0.05.
 △ CONNECTOR PROFILE, ALL THE TRACE SHOULD BE AVOIDED THIS AREA.

RECOMMENDED P.C.B LAYOUT (COMPONENT SIDE)



PRODUCT	CONTACT PLATING SPEC	DIM'A'	DIM'B'	DIM'C'	DIM'D'	PACKAGE	REMARK
47018-4000	NOTES 2 (A) OF SHEET 1	3.40	5.15	10.50	4.50	TAPE REEL	PURE TIN (LIGHT TIN)
47018-4001	NOTES 2 (B) OF SHEET 1						
47018-4002	NOTES 2 (C) OF SHEET 1						
47018-3000	NOTES 2 (A) OF SHEET 1	2.95	4.70	10.05	4.05	TRAY	PURE TIN (LIGHT TIN)
47018-3001	NOTES 2 (B) OF SHEET 1						
47018-3002	NOTES 2 (C) OF SHEET 1						
47018-2010	NOTES 2 (A) OF SHEET 1	2.55	4.30	9.65	3.65	TRAY	PURE TIN (MATTE TIN)
47018-2011	NOTES 2 (B) OF SHEET 1						
47018-2012	NOTES 2 (C) OF SHEET 1						
47018-2000	NOTES 2 (A) OF SHEET 1	2.55	4.30	9.65	3.65	TRAY	PURE TIN (LIGHT TIN)
47018-2001	NOTES 2 (B) OF SHEET 1						
47018-2002	NOTES 2 (C) OF SHEET 1						

ADD PART NO EC NO: SH2007-0187 DRWN: HZHA006 CHKD: JTIAN APPR: JNCHEN	QUALITY SYMBOLS ▽=0 ▽=0	GENERAL TOLERANCES (UNLESS SPECIFIED)		DIMENSION STYLE MM ONLY		SCALE 1:1	DESIGN UNITS METRIC	THIRD ANGLE PROJECTION		
						DRAWN BY TOM LI		DATE 2004/10/25		SERIAL ATA DOCKING CONNECTOR TOP MOUNT TYPE MOLEX INCORPORATED
						CHECKED BY GRATE MA		DATE 2004/10/25		
						APPROVED BY VINCENT		DATE 2004/10/25		
		ANGULAR ± 3 °		MATERIAL NO.		DOCUMENT NO.		SHEET NO. 2 OF 2		
		DRAFT WHERE APPLICABLE MUST REMAIN WITHIN DIMENSIONS		SEE TABLE		SD-47018-001				
THIS DRAWING CONTAINS INFORMATION THAT IS PROPRIETARY TO MOLEX INCORPORATED AND SHOULD NOT BE USED WITHOUT WRITTEN PERMISSION										