

PLEASE CHECK WWW.MOLEX.COM FOR LATEST PART INFORMATION

Part Number: **0460075303**
Status: **Active**
Description: 7.50mm (.295") Pitch Sabre™ Header, Single Row, Right Angle, 3 Circuits, PC Tail Length 5.33mm (.210"), with Snap-In Metal Pins, Tin (Sn) Plating

Documents:

[3D Model](#) [Product Specification PSX-44441-9999 \(PDF\)](#)
[Drawing \(PDF\)](#) [RoHS Certificate of Compliance \(PDF\)](#)
[Packaging Specification \(PDF\)](#)

Agency Certification

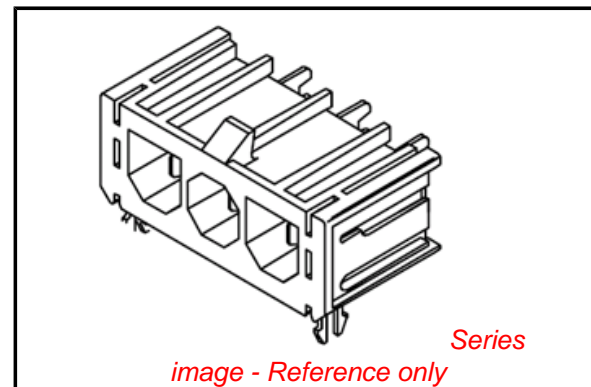
UL E29179

General

Product Family PCB Headers
 Series 46007
 Application Wire-to-Board
 Comments Fully Polarized, Meets UL 1950 Finger Proof Standard
 Product Literature Order No USA-113
 Product Name Sabre™

Physical

Breakaway No
 Circuits (Loaded) 3
 Circuits (maximum) 3
 Color - Resin Black
 Durability (mating cycles max) 25
 First Mate / Last Break No
 Flammability 94V-0
 Glow-Wire Compliant No
 Guide to Mating Part No
 Keying to Mating Part None
 Lock to Mating Part Yes
 Material - Metal Brass
 Material - Plating Mating Tin
 Material - Plating Termination Tin
 Material - Resin High Temperature Thermoplastic
 Number of Rows 1
 Orientation Right Angle
 PC Tail Length (in) 0.210 In
 PC Tail Length (mm) 5.33 mm
 PCB Locator No
 PCB Retention Yes
 PCB Thickness Recommended (in) 0.093 In
 PCB Thickness Recommended (mm) 2.40 mm
 Packaging Type Tray
 Pitch - Mating Interface (in) 0.295 In
 Pitch - Mating Interface (mm) 7.50 mm
 Plating min: Mating (µin) 35
 Plating min: Mating (µm) 0.88
 Plating min: Termination (µin) 35
 Plating min: Termination (µm) 0.88
 Polarized to Mating Part Yes
 Polarized to PCB Yes
 Shrouded Fully
 Stackable No



EU RoHS

ELV and RoHS Compliant
REACH SVHC Not Reviewed
Halogen-Free Status Not Reviewed

China RoHS



Need more information on product environmental compliance?

Email productcompliance@molex.com
 For a multiple part number RoHS Certificate of Compliance, [click here](#)

Please visit the [Contact Us](#) section for any non-product compliance questions.

Search Parts in this Series

46007Series

Mates With

44441-2003

Surface Mount Compatible (SMC)	No
Temperature Range - Operating	-40°C to +75°C
Termination Interface: Style	Through Hole

Electrical

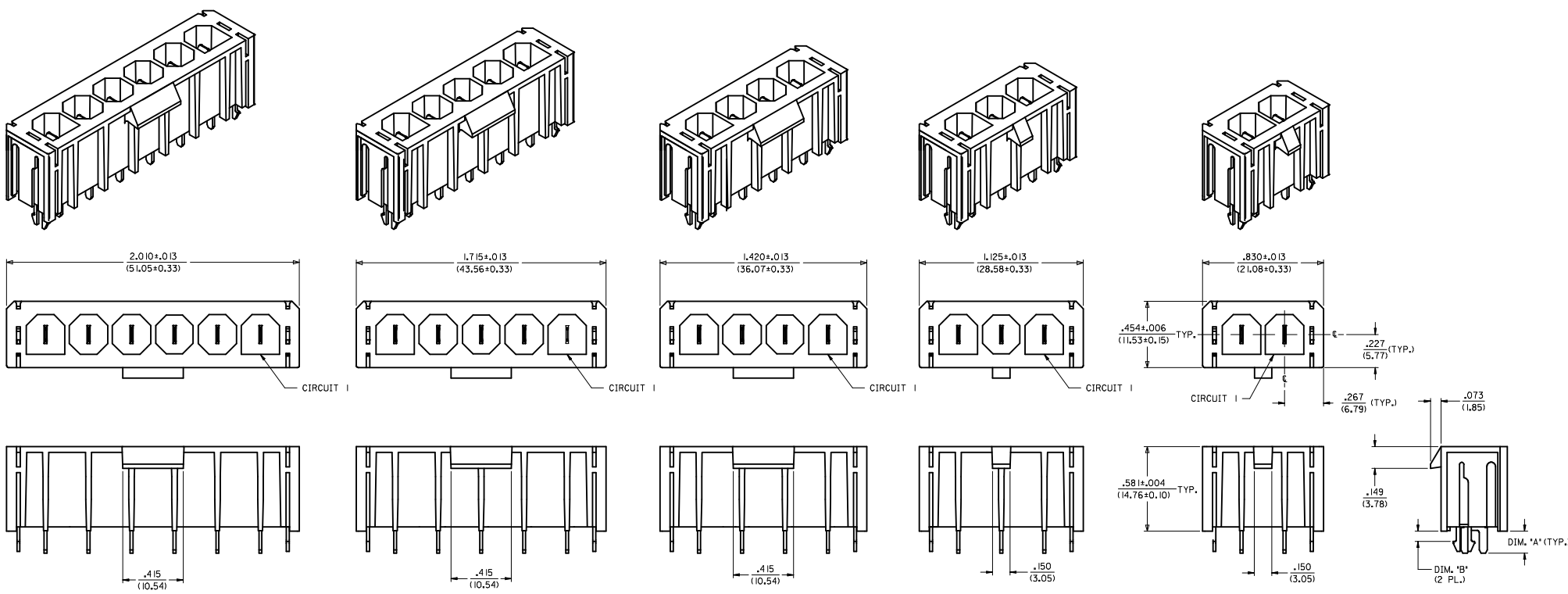
Current - Maximum per Contact	18A
Voltage - Maximum	600V

Material Info**Reference - Drawing Numbers**

Product Specification	PSX-44441-9999
Sales Drawing	SD-46007-001

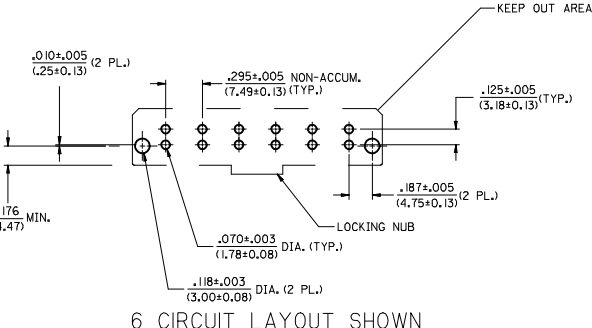
This document was generated on 04/21/2010

PLEASE CHECK WWW.MOLEX.COM FOR LATEST PART INFORMATION



SEE SHEET 2 AND 3 FOR ITEM NUMBER CHART

RECOMMENDED P.C. BOARD LAYOUT FOR VERTICAL HEADERS
SCALE 2:1



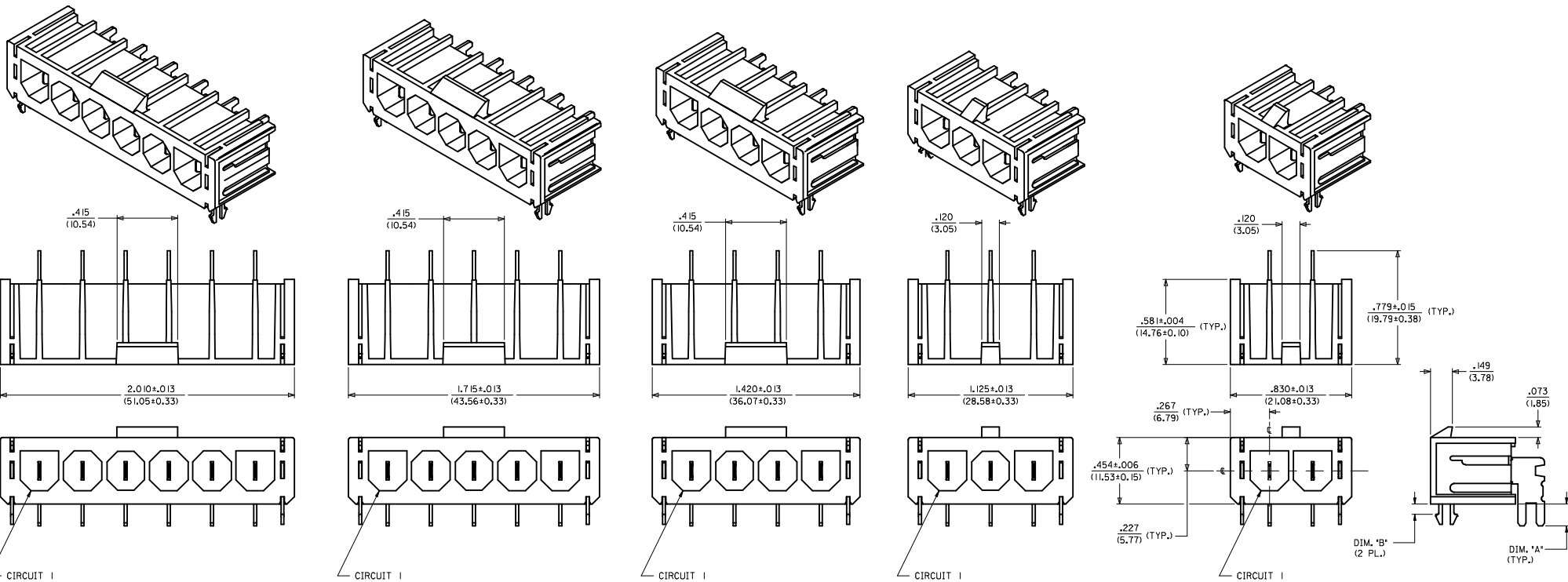
- NOTES:**
- INSULATOR MATERIAL (SEE CHART):
A = 30% GLASS FILLED 46 NYLON, 94V-0, COLOR: BLACK.
TERMINAL MATERIAL: C26000 BRASS
 - TERMINAL FINISH: 35 MICROINCH (0.88 MICROMETER) MINIMUM TIN OVER 20 MICROINCH (0.50 MICROMETER) MINIMUM COPPER.
* THE PRIMARY SHIPPING CARTON WILL BE LABELED "COMPLIANT TO RoHS DIRECTIVE 2002/95/EC AND ELV ANNEX II OF DIRECTIVE 2000/53/EC." CARTONS WITHOUT THIS LABEL MAY CONTAIN PRODUCT WITH TIN-LEAD IN THE PC TAILS.
 - PRODUCT SPECIFICATION: PSX-44441-9999.
 - PACKAGING: SEE CHART.
 - THESE HEADERS MATE WITH 43179, 43335, OR 44441 RECEPTACLE HOUSINGS.
 - UL 1950 COMPLIANT 46007 SERIES HEADERS ARE SIMILAR TO STANDARD LINE 43160 SERIES HEADERS EXCEPT HAVING TERMINALS WHICH ARE RECESSED MORE TO ALLOW HEADERS TO MEET UL 1950 PROBE REQUIREMENTS.
 - SEE SHEETS 1, 2 AND 3 FOR VERTICAL HEADER ASSEMBLY AND THEIR RESPECTIVE PART NUMBERS.
 - SEE SHEETS 4, 5 AND 6, FOR RIGHT ANGLE HEADER ASSEMBLIES AND THEIR RESPECTIVE PART NUMBERS.
 - TERMINALS ARE ON .295/(7.49) CENTERLINE SPACING.
 - DIMENSIONS ARE FOR REFERENCE ONLY, UNLESS INDICATED OTHERWISE.

SOLDER TAIL	DIM. "A" ±.020/(0.51)
SHORT	.150/(3.81)
LONG	.210/(5.33)

BOARD LOCK	DIM. "B" ±.004/(0.15)
.062	.070/(1.78)
.094	.102/(2.59)
.125	.133/(3.38)

6	C
5	C
4	C
3	C
2	C
1	C
SHT. REV.	

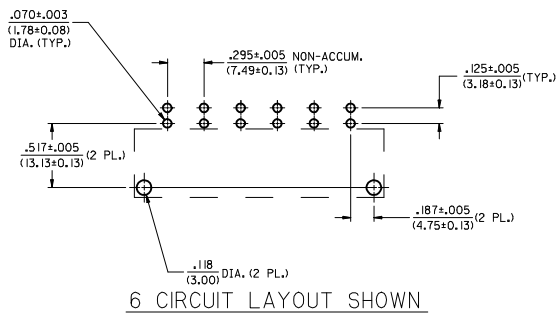
<p>REMOVE 94V-2 MATL EC NO: UCF2009-0067 DRAWN: KOSTER/2009/03/05 CHKD: AEL/HAG 2009/03/05 APPR: FSW/TH 2009/03/05</p>	<p>QUALITY SYMBOLS </p>	<p>GENERAL TOLERANCES (UNLESS SPECIFIED)</p> <table border="1"> <thead> <tr> <th></th> <th>mm</th> <th>INCH</th> </tr> </thead> <tbody> <tr> <td>4 PLACES</td> <td>±.005</td> <td>±.005</td> </tr> <tr> <td>3 PLACES</td> <td>±.01</td> <td>±.01</td> </tr> <tr> <td>2 PLACES</td> <td>±0.13</td> <td>±.01</td> </tr> <tr> <td>1 PLACE</td> <td>±0.25</td> <td>±.01</td> </tr> </tbody> </table> <p>ANGULAR ±1/2°</p>		mm	INCH	4 PLACES	±.005	±.005	3 PLACES	±.01	±.01	2 PLACES	±0.13	±.01	1 PLACE	±0.25	±.01	<p>DIMENSION STYLE IN/MM</p> <p>SCALE 3:1</p> <p>DESIGN UNITS INCH</p> <p>THIRD ANGLE PROJECTION</p>
		mm	INCH															
	4 PLACES	±.005	±.005															
	3 PLACES	±.01	±.01															
2 PLACES	±0.13	±.01																
1 PLACE	±0.25	±.01																
<p>DRAFT WHERE APPLICABLE MUST REMAIN WITHIN DIMENSIONS</p>	<p>DRAWN BY CSTEWART</p> <p>CHECKED BY</p> <p>DATE 04/28/05</p>	<p>TITLE SABRE HEADER ASSY VERTICAL, 2-6 & 8 CIR. UL 1950 COMPLIANT</p>	<p>MATERIAL NO. SEE CHART</p> <p>DOCUMENT NO. SD-46007-001</p>															
<p>SIZE D</p>	<p>THIS DRAWING CONTAINS INFORMATION THAT IS PROPRIETARY TO MOLEX INCORPORATED AND SHOULD NOT BE USED WITHOUT WRITTEN PERMISSION</p>	<p>MOLEX INCORPORATED</p>	<p>SHEET NO. 1 OF 6</p>															



SEE SHEET 5 AND 6 FOR ITEM NUMBER CHART

RECOMMENDED P.C. BOARD LAYOUT FOR RIGHT ANGLE HEADERS

SCALE 2:1



6 CIRCUIT LAYOUT SHOWN

NOTES:

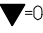
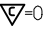

- INSULATOR MATERIAL (SEE CHART)
A = 30% GLASS-FILLED 46 NYLON, 94V-0, COLOR: BLACK
TERMINAL MATERIAL: C26000 BRASS
- TERMINAL FINISH: 35 MICROINCH (0.88 MICROMETER) MINIMUM TIN OVER
20 MICROINCH (0.50 MICROMETER) MINIMUM COPPER.
* THE PRIMARY SHIPPING CARTON WILL BE LABELED "COMPLIANT TO RoHS DIRECTIVE 2002/95/EC AND ELV ANNEX II OF DIRECTIVE 2000/53/EC." CARTONS WITHOUT THIS LABEL MAY CONTAIN PRODUCT WITH TIN-LEAD IN THE PC TAILS.
- PRODUCT SPECIFICATION: PSX-44441-9999.
- PACKAGING: SEE CHART.
- THESE HEADERS MATE WITH 43179, 43335, OR 44441 RECEPTACLE HOUSINGS.
- UL 1950 COMPLIANT 46007 SERIES HEADERS ARE SIMILAR TO STANDARD LINE 43160 SERIES HEADERS EXCEPT HAVING TERMINALS WHICH ARE RECESSED MORE TO ALLOW HEADERS TO MEET UL 1950 PROBE REQUIREMENTS.
- SEE SHEETS 1, 2 AND 3 FOR VERTICAL HEADER ASSEMBLIES AND THEIR RESPECTIVE PART NUMBERS.
- SEE SHEETS 4, 5 AND 6 FOR RIGHT ANGLE HEADER ASSEMBLIES AND THEIR RESPECTIVE PART NUMBERS.
- TERMINALS ARE ON .295/(7.49) CENTERLINE SPACING.
- DIMENSIONS ARE FOR REFERENCE ONLY, UNLESS INDICATED OTHERWISE.

SOLDER TAIL	DIM. 'A' ±.01/(0.28)
SHORT	.150/(3.81)
LONG	.210/(5.33)

BOARD LOCK	DIM. 'B' ±.004/(0.10)
.062	.070/(1.78)
.094	.102/(2.59)
.125	.133/(3.38)

REMOVE 94V-2 MATL EC NO. UCP2009-0067 DRAWN BY: KJOSTEINER 2009/03/05 CHECKED BY: CHYKDAELHAG 2009/03/05 APPROVED BY: SMITH 2009/03/05	QUALITY SYMBOLS	GENERAL TOLERANCES (UNLESS SPECIFIED)	DIMENSION STYLE	SCALE	DESIGN UNITS	THIRD ANGLE PROJECTION	
	▽=0 ▽=0	mm INCH 4 PLACES ±.005 ±.005 3 PLACES ±.010 ±.010 2 PLACES ±.020 ±.020 1 PLACE ±.050 ±.050 ANGULAR ±1/2°	IN/MM 3:1	INCH	INCH	THIRD ANGLE PROJECTION	
	DRAWN BY: C STEWART CHECKED BY: B WIRKUS APPROVED BY: B WIRKUS	DATE: 04/29/05 DATE:	MATERIAL NO. SEE CHART	DATE:	DOCUMENT NO. SD-46007-001	TITLE SABRE HEADER ASSY RT. ANGLE, 2-6 & 8 CIR. UL 1950 COMPLIANT	MOLEX INCORPORATED
	DRAFT WHERE APPLICABLE MUST REMAIN WITHIN DIMENSIONS	SIZE D	THIS DRAWING CONTAINS INFORMATION THAT IS PROPRIETARY TO MOLEX INCORPORATED AND SHOULD NOT BE USED WITHOUT WRITTEN PERMISSION	SHEET NO. 4 OF 6	SHEET NO. 4 OF 6	SHEET NO. 4 OF 6	SHEET NO. 4 OF 6

RT. ANGLE HEADER ASSEMBLY ITEM NO.	PART CHARACTERISTICS FOR RIGHT ANGLE HEADER				PACKAGING SPECIFICATIONS	RT. ANGLE HEADER ASSEMBLY ITEM NO.	PART CHARACTERISTICS FOR RIGHT ANGLE HEADER				PACKAGING SPECIFICATIONS	RT. ANGLE HEADER ASSEMBLY ITEM NO.	PART CHARACTERISTICS FOR RIGHT ANGLE HEADER				PACKAGING SPECIFICATIONS
	CIRCUIT SIZE	HSG. MAT'L (SEE NOTE 1)	SOLDER TAIL	BOARD LOCK			CIRCUIT SIZE	HSG. MAT'L (SEE NOTE 1)	SOLDER TAIL	BOARD LOCK			CIRCUIT SIZE	HSG. MAT'L (SEE NOTE 1)	SOLDER TAIL	BOARD LOCK	
46007-1102	2	A	SHORT	N/A	PK-43160-0010	46007-1104	4	A	SHORT	N/A	PK-43160-0010	46007-1106	6	A	SHORT	N/A	PK-43160-0010
46007-1302	2	A	LONG	N/A	PK-43789-001	46007-1304	4	A	LONG	N/A	PK-43789-001	46007-1306	6	A	LONG	N/A	PK-43789-001
46007-3102	2	A	SHORT	.062	PK-43789-001	46007-3104	4	A	SHORT	.062	PK-43789-001	46007-3106	6	A	SHORT	.062	PK-43789-001
46007-5102	2	A	SHORT	.094	PK-43789-001	46007-5104	4	A	LONG	.094	PK-43789-001	46007-5106	6	A	SHORT	.094	PK-43789-001
46007-5302	2	A	LONG	.094	PK-43789-001	46007-5304	4	A	LONG	.125	PK-43789-001	46007-5306	6	A	LONG	.094	PK-43789-001
46007-7302	2	A	LONG	.125	PK-43789-001	46007-7304	5	A	SHORT	N/A	PK-43160-0010	46007-7306	6	A	LONG	.125	PK-43789-001
46007-1103	3	A	SHORT	N/A	PK-43160-0010	46007-1105	5	A	LONG	N/A	PK-43789-001						
46007-1303	3	A	LONG	N/A	PK-43789-001	46007-1305	5	A	SHORT	.062	PK-43789-001						
46007-3103	3	A	SHORT	.062	PK-43789-001	46007-3105	5	A	SHORT	.094	PK-43789-001						
46007-5103	3	A	SHORT	.094	PK-43789-001	46007-5105	5	A	LONG	.094	PK-43789-001						
46007-5303	3	A	LONG	.094	PK-43789-001	46007-5305	5	A	LONG	.125	PK-43789-001						
46007-7303	3	A	LONG	.125	PK-43789-001	46007-7305	5	A	LONG	.125	PK-43789-001						

REMOVE 94V-2 P/NS IEC NO: UCF2009-0067 DRAWN: JKOSTEMER 2009/03/05 CHYKDAELHAG 2009/03/05 APPR:FSM TH 2009/03/05	QUALITY SYMBOLS  = 0  = 0	GENERAL TOLERANCES (UNLESS SPECIFIED)		DIMENSION STYLE IN/MM		SCALE 1:1	DESIGN UNITS INCH	 THIRD ANGLE PROJECTION	
		mm INCH		DRAWN BY C STEWART	DATE 04/29/05	TITLE SABRE HEADER ASSY RT. ANGLE, 2-6 & 8 CIR. UL 1950 COMPLIANT			
		4 PLACES ± --- ± --- 3 PLACES ± --- ± .005 2 PLACES ± 0.13 ± .01 1 PLACE ± 0.25 ± ---		CHECKED BY BWIRKUS	DATE	MOLEX INCORPORATED			
		ANGULAR ±1/2°		APPROVED BY BWIRKUS	DATE	MATERIAL NO. SEE CHART	DOCUMENT NO. SD-46007-001	SHEET NO. 5 OF 6	
DRAFT WHERE APPLICABLE MUST REMAIN WITHIN DIMENSIONS		THIS DRAWING CONTAINS INFORMATION THAT IS PROPRIETARY TO MOLEX INCORPORATED AND SHOULD NOT BE USED WITHOUT WRITTEN PERMISSION							