

M62342GP

8-Bit, 2-Channel D-A Converter (Buffered)

REJ03F0074-0100Z

Rev.1.0

Sep.19.2003

Description

The M62342GP is a CMOS-structure semiconductor integrated circuit incorporating two 8-bit D-A converter channels with output buffer op-amps.

Serial data transfer type input can easily be used through a combination of three lines: DI, CLK, and LD.

Outputs incorporate buffer op-amps that have a drive capacity of 1 mA or above for both sink and source, and can operate over the entire voltage range from almost ground to VCC (0 to 5 V), making peripheral elements unnecessary and enabling configuration of a system with few component parts.

This product is currently under development, and specifications and other details may be modified at a future date.

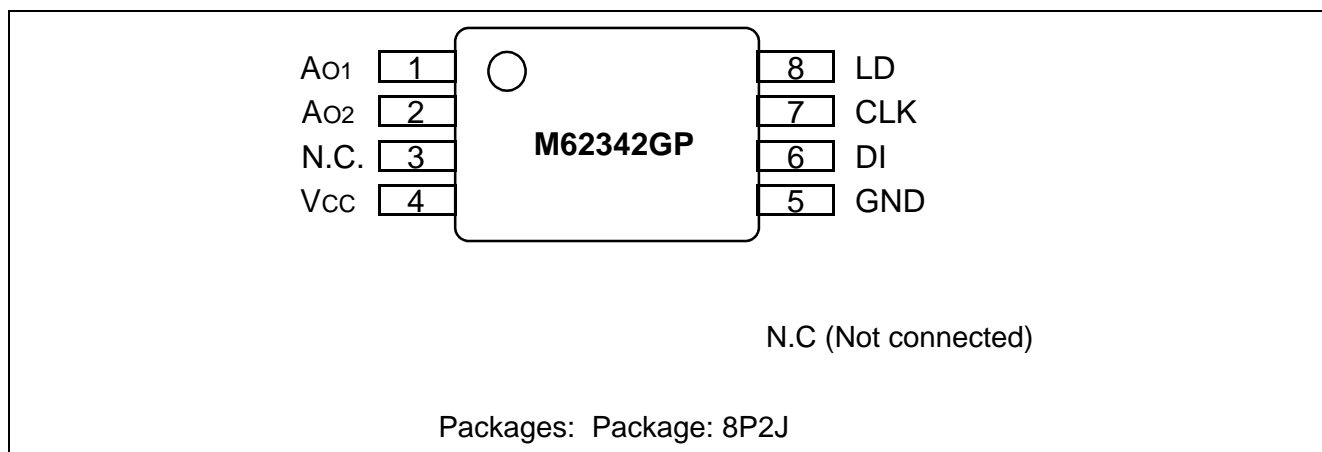
Features

- Data transfer format
10-bit serial data input type
- Output buffer op-amps
Operable over entire voltage range from almost ground to VCC (0 to 5 V)
- High output current capacity
 ± 1 mA or higher

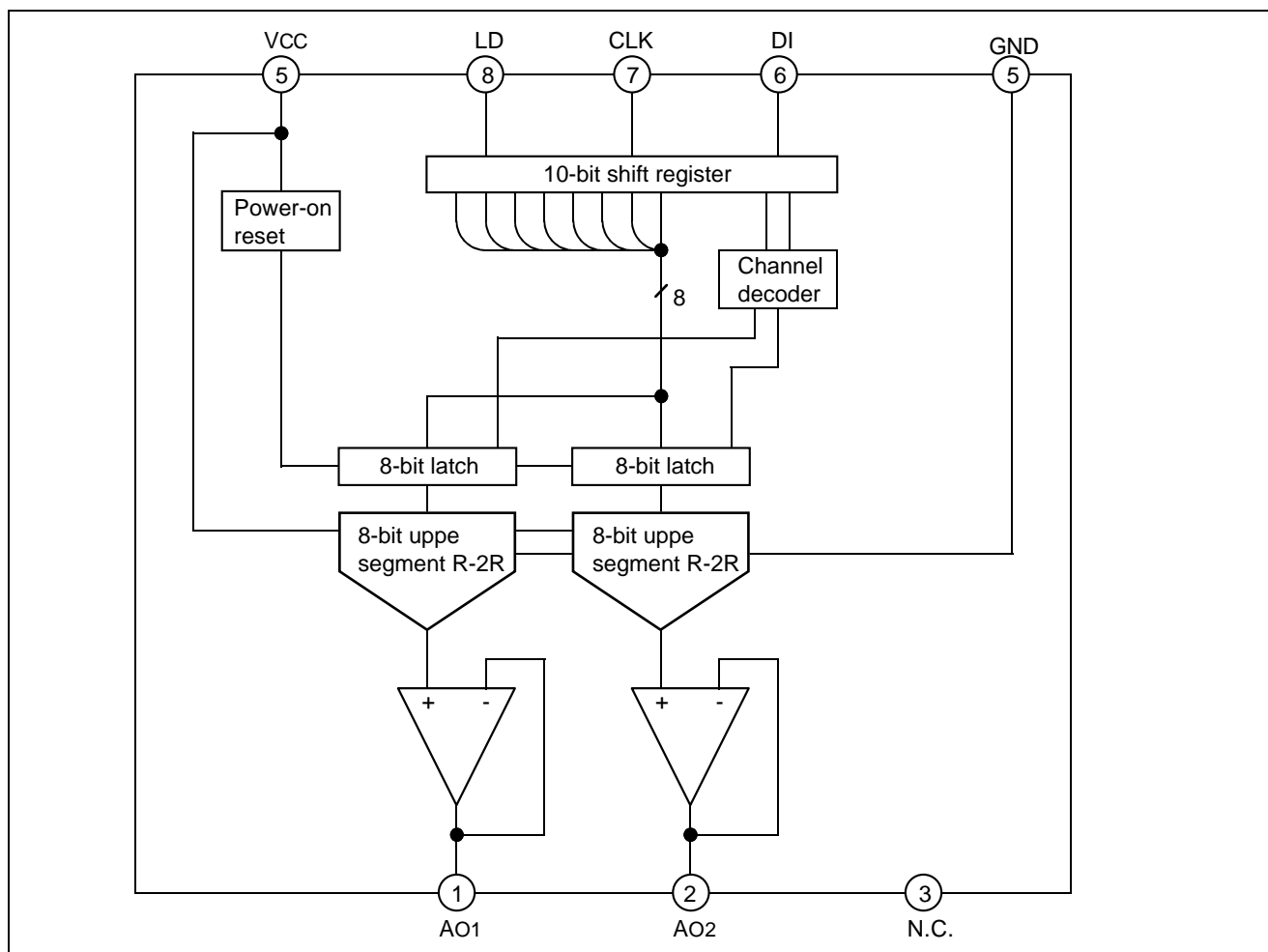
Application

Signal gain setting and automatic adjustment in DSC, CTV, and display monitors, conversion from digital data to analog data in consumer and industrial products

Pin Connection Diagram (Top View)



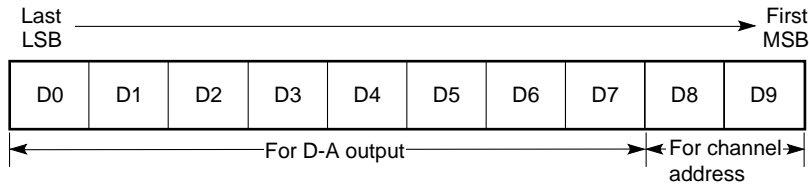
Block Diagram



Pin Description

Pin No.	Symbol	Function
6	DI	Serial data input pin. Inputs serial data with a 10-bit data length.
7	CLK	Serial clock input pin. Input signal from DI pin is input to 10-bit shift register at rise of shift clock.
8	LD	Load pin. When "H" level is input to LD pin, value in 10-bit shift register is loaded into decoder and D-A output register.
1	Ao1	8-bit resolution D-A converter output pins
2	Ao2	(After power-on, all channels are reset and DAC data 00h is output.)
3	N.C.	(Not connected)
4	Vcc	Power supply voltage pin
5	GND	GND pin

Digital Data Format



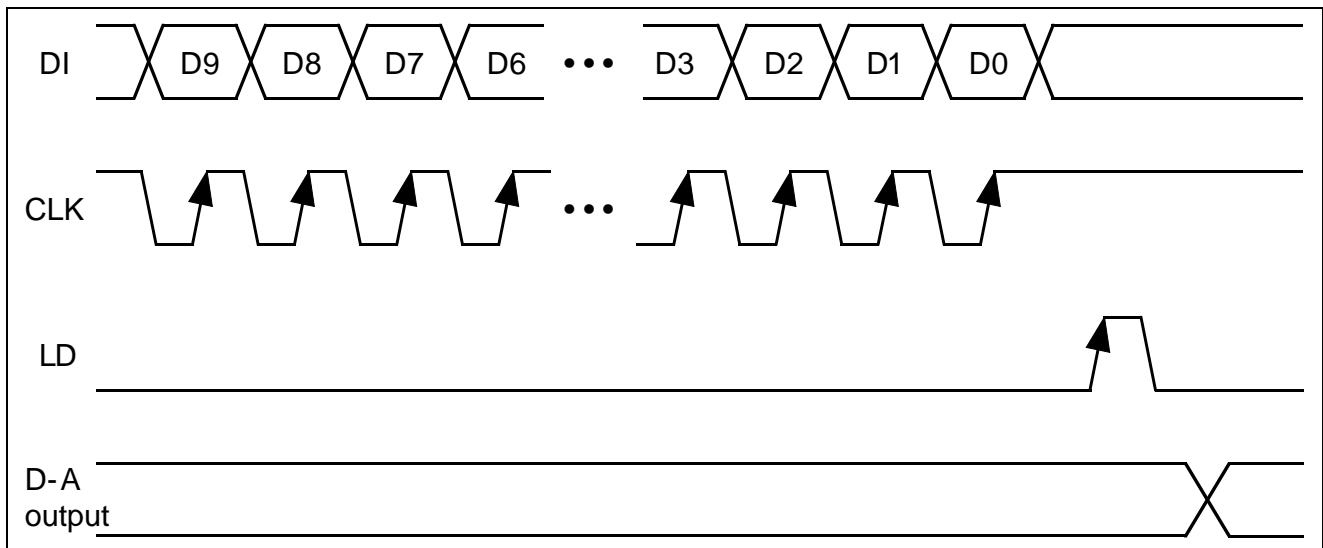
D-A Data

D0	D1	D2	D3	D4	D5	D6	D7	D-A output
0	0	0	0	0	0	0	0	$V_{cc}/256 \times 1$
1	0	0	0	0	0	0	0	$V_{cc}/256 \times 2$
0	1	0	0	0	0	0	0	$V_{cc}/256 \times 3$
1	1	0	0	0	0	0	0	$V_{cc}/256 \times 4$
⋮	⋮	⋮	⋮	⋮	⋮	⋮	⋮	⋮
0	1	1	1	1	1	1	1	$V_{cc}/256 \times 255$
1	1	1	1	1	1	1	1	$V_{cc}/256 \times 256$

Channel Select Data

D8	D9	Channel Selection
0	0	AO1 selected
1	0	AO2 selected
0	1	Don't care
1	1	Don't care

Data Timing Chart (Model)



Absolute Maximum Ratings

Item	Symbol	Rated Value	Unit
Power supply voltage	VCC	-0.3 to 7.0	V
Input voltage	Vin	-0.3 to $V_{CC}+0.3 \leq 7.0$	V
Output voltage	Vo	-0.3 to $V_{CC}+0.3 \leq 7.0$	V
Internal power consumption	Pd	200	mW
Operating ambient temperature	Topr	-20 to +85	°C
Storage temperature	Tstg	-55 to +125	°C

Electrical Characteristics

(Unless specified otherwise, VCC = +5 V ±10%, GND = 0 V, Ta = -20°C to 85°C)

Specification Values

Item	Symbol	Min.	Typ.	Max.	Unit	Test Conditions
Power supply voltage	Vcc	2.7	5.0	5.5	V	
Power supply current	Icc	0	0.7	2.5	mA	At CLK = 1 MHz operation, IAO = 0 μA D-A data: 6 Ah (at maximum current)
		0	0.5	1.6		DI = CLK = LD = GND, IAO = 0μA
Input leakage current	IILK	-10		10	μA	VIN = 0 to Vcc
Input voltage "L"	VIL	0		0.2Vcc	V	
Input voltage "H"	VIH	0.5Vcc		Vcc	V	
Buffer amp output voltage range	VAO	0.1		Vcc-0.1	V	IAO = ±100 μA
		0.1		Vcc-0.2		IAO = ±500 μA
Buffer amp output drive range	IAO	-1.0		1.0	mA	Upper saturation voltage = 0.3 V Lower saturation voltage = 0.2 V
Differential nonlinearity error	SDL	-1.0		1.0	LSB	Vcc = 5.12V (20mV/LSB) No load (IAO = 0)
Nonlinearity error	SL	-1.5		1.5	LSB	
Zero point error	SZERO	-2.0		2.0	LSB	
Full-scale error	SFULL	-2.0		2.0	LSB	
Oscillation limit output capacitance	Co			0.1	μF	
Buffer amp output impedance	Ro		5.0			

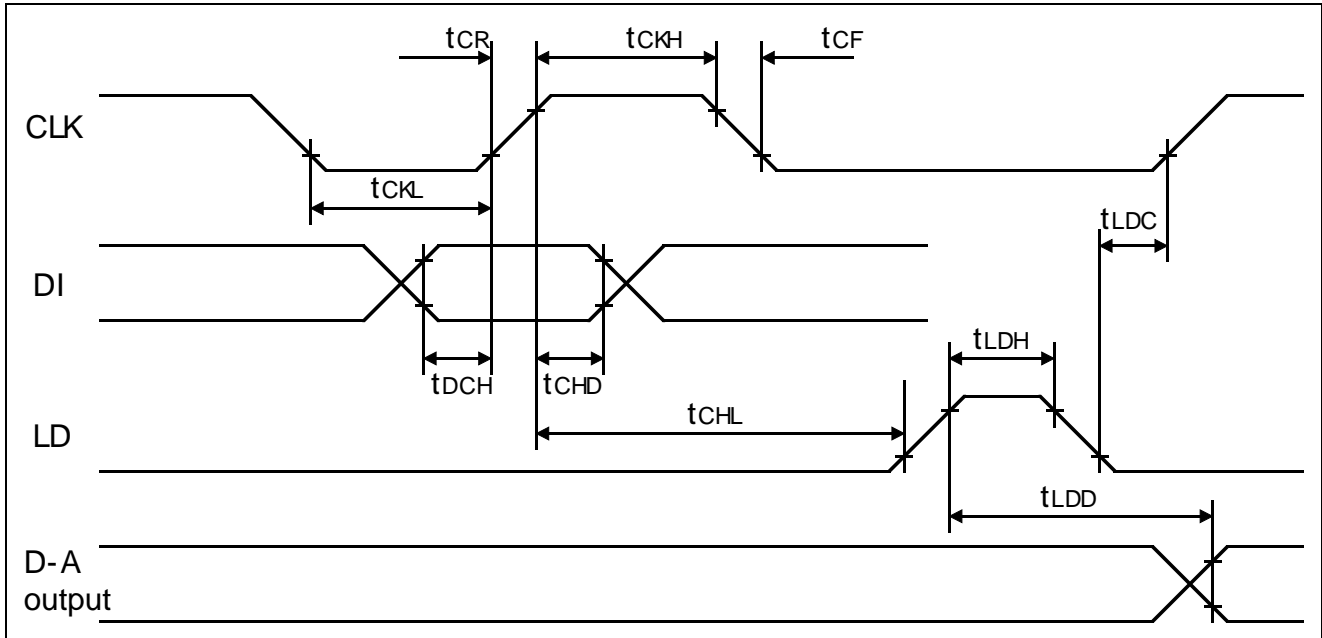
AC Characteristics

(Unless specified otherwise, VCC = +5 V ±10%, GND = 0 V, Ta = -20°C to 85°C)

Specification Values

Item	Symbol	Min.	Typ.	Max.	Unit	Test Conditions
Clock "L" pulse width	tCKL	200			ns	
Clock "H" pulse width	tCKH	200			ns	
Clock rise time	tCR			200	ns	
Clock fall time	tCF			200	ns	
Data setup time	tDCH	30			ns	
Data hold time	tCHD	60			ns	
Load setup time	tCHL	200			ns	
Load hold time	tLDC	100			ns	
Load "H" pulse width	tLDH	100			ns	
D-A output settling time	tLDD			300	μs	Until output reaches last 1/2 LSB

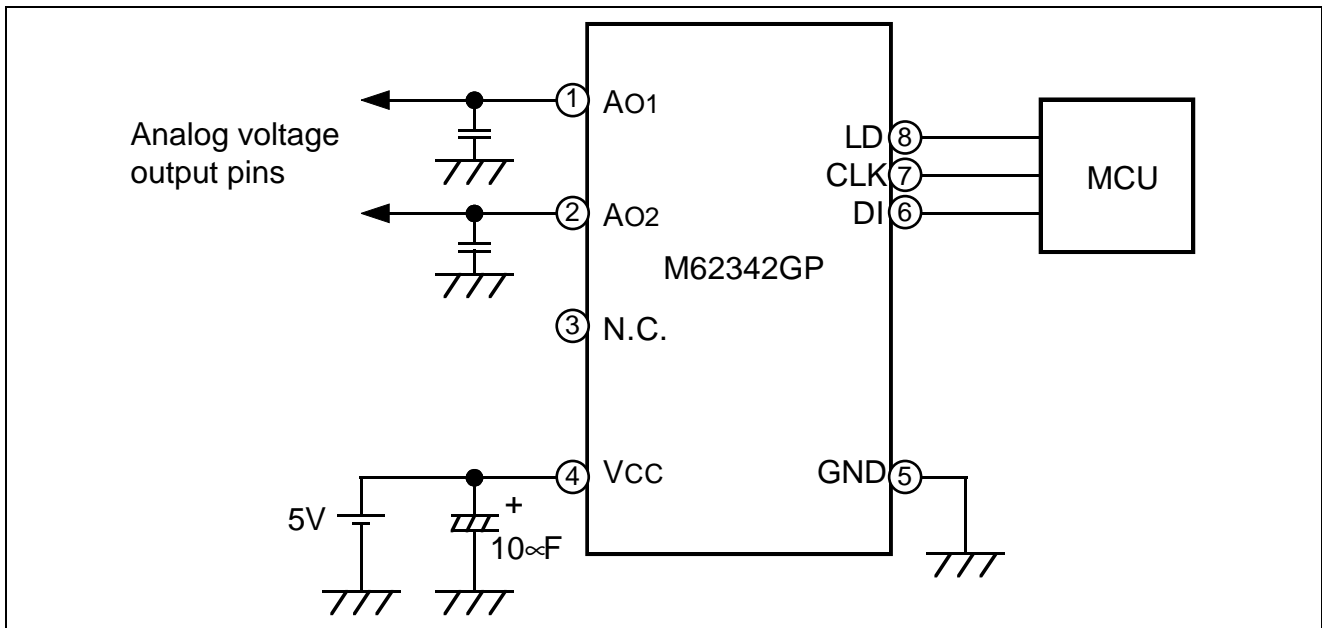
Timing Chart



Usage Notes

1. With this IC, D-A converter upper reference voltage setting is performed by means of the power supply voltage. If ripples or spikes are imposed on this pin, conversion accuracy may fall. When using this IC, a capacitor must be inserted between the power supply pin and GND in order to ensure stable D-A conversion.
2. The output buffer amps of this IC are highly tolerant of capacitive loads. Therefore, connecting capacitors (0.1 μ F max.) between the output pins and ground in order to eliminate jitter or noise due to output line wiring presents no problems whatever in terms of operation.

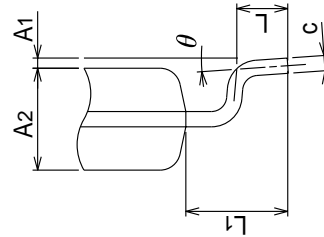
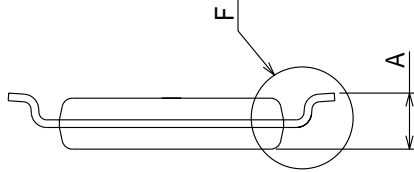
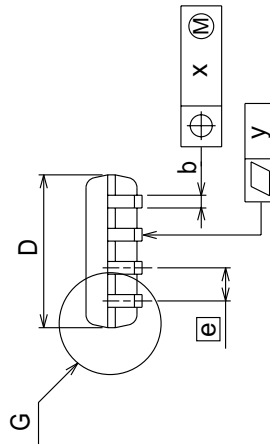
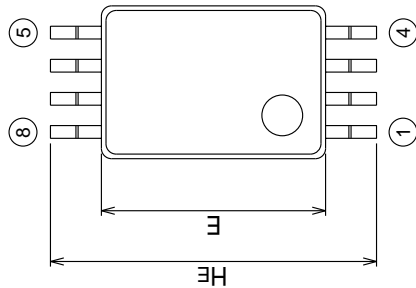
Sample Standard Application Circuit



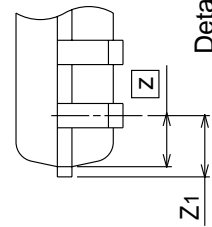
Package Dimensions

8P2J-A

EIAJ Package Code SSOP8-P-175-0.65	JEDEC Code -	Weight(g)	Lead Material Cu Alloy
---------------------------------------	-----------------	-----------	---------------------------

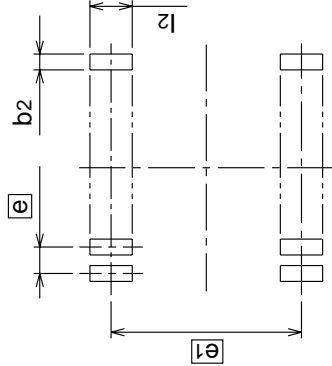


Detail F



Detail G

Plastic 8pin 175mil SSOP



Recommended Mount Pad

Symbol	Dimension in Millimeters		
	Min	Norm	Max
A	-	-	1.2
A1	0	0.1	0.2
A2	-	1.0	-
b	0.2	0.25	0.32
c	0.14	0.15	0.2
D	2.9	3.0	3.1
E	4.3	4.4	4.5
e	-	0.65	-
HE	6.2	6.4	6.6
L	0.3	0.5	0.7
L1	-	1.0	-
Z	-	0.525	-
Z1	-	-	0.675
x	-	-	0.13
y	-	-	0.1
θ	0°	-	8°
b2	-	0.35	-
e1	-	5.8	-
l2	1.0	-	-

RENESAS Technology Corp. Sales Strategic Planning Div. Nippon Bldg., 2-6-2, Ohte-machi, Chiyoda-ku, Tokyo 100-0004, Japan

Keep safety first in your circuit designs!

1. Renesas Technology Corp. puts the maximum effort into making semiconductor products better and more reliable, but there is always the possibility that trouble may occur with them. Trouble with semiconductors may lead to personal injury, fire or property damage.
Remember to give due consideration to safety when making your circuit designs, with appropriate measures such as (i) placement of substitutive, auxiliary circuits, (ii) use of nonflammable material or (iii) prevention against any malfunction or mishap.

Notes regarding these materials

1. These materials are intended as a reference to assist our customers in the selection of the Renesas Technology Corp. product best suited to the customer's application; they do not convey any license under any intellectual property rights, or any other rights, belonging to Renesas Technology Corp. or a third party.
 2. Renesas Technology Corp. assumes no responsibility for any damage, or infringement of any third-party's rights, originating in the use of any product data, diagrams, charts, programs, algorithms, or circuit application examples contained in these materials.
 3. All information contained in these materials, including product data, diagrams, charts, programs and algorithms represents information on products at the time of publication of these materials, and are subject to change by Renesas Technology Corp. without notice due to product improvements or other reasons. It is therefore recommended that customers contact Renesas Technology Corp. or an authorized Renesas Technology Corp. product distributor for the latest product information before purchasing a product listed herein.
The information described here may contain technical inaccuracies or typographical errors.
Renesas Technology Corp. assumes no responsibility for any damage, liability, or other loss rising from these inaccuracies or errors.
Please also pay attention to information published by Renesas Technology Corp. by various means, including the Renesas Technology Corp. Semiconductor home page (<http://www.renesas.com>).
 4. When using any or all of the information contained in these materials, including product data, diagrams, charts, programs, and algorithms, please be sure to evaluate all information as a total system before making a final decision on the applicability of the information and products. Renesas Technology Corp. assumes no responsibility for any damage, liability or other loss resulting from the information contained herein.
 5. Renesas Technology Corp. semiconductors are not designed or manufactured for use in a device or system that is used under circumstances in which human life is potentially at stake. Please contact Renesas Technology Corp. or an authorized Renesas Technology Corp. product distributor when considering the use of a product contained herein for any specific purposes, such as apparatus or systems for transportation, vehicular, medical, aerospace, nuclear, or undersea repeater use.
 6. The prior written approval of Renesas Technology Corp. is necessary to reprint or reproduce in whole or in part these materials.
 7. If these products or technologies are subject to the Japanese export control restrictions, they must be exported under a license from the Japanese government and cannot be imported into a country other than the approved destination.
Any diversion or reexport contrary to the export control laws and regulations of Japan and/or the country of destination is prohibited.
 8. Please contact Renesas Technology Corp. for further details on these materials or the products contained therein.
-



RENESAS SALES OFFICES

<http://www.renesas.com>

Renesas Technology America, Inc.
450 Holger Way, San Jose, CA 95134-1368, U.S.A
Tel: <1> (408) 382-7500 Fax: <1> (408) 382-7501

Renesas Technology Europe Limited.
Dukes Meadow, Millboard Road, Bourne End, Buckinghamshire, SL8 5FH, United Kingdom
Tel: <44> (1628) 585 100, Fax: <44> (1628) 585 900

Renesas Technology Europe GmbH
Dornacher Str. 3, D-85622 Feldkirchen, Germany
Tel: <49> (89) 380 70 0, Fax: <49> (89) 929 30 11

Renesas Technology Hong Kong Ltd.
7/F., North Tower, World Finance Centre, Harbour City, Canton Road, Hong Kong
Tel: <852> 2265-6688, Fax: <852> 2375-6836

Renesas Technology Taiwan Co., Ltd.
FL 10, #99, Fu-Hsing N. Rd., Taipei, Taiwan
Tel: <886> (2) 2715-2888, Fax: <886> (2) 2713-2999

Renesas Technology (Shanghai) Co., Ltd.
26/F., Ruijin Building, No.205 Maoming Road (S), Shanghai 200020, China
Tel: <86> (21) 6472-1001, Fax: <86> (21) 6415-2952

Renesas Technology Singapore Pte. Ltd.
1, Harbour Front Avenue, #06-10, Keppel Bay Tower, Singapore 098632
Tel: <65> 6213-0200, Fax: <65> 6278-8001