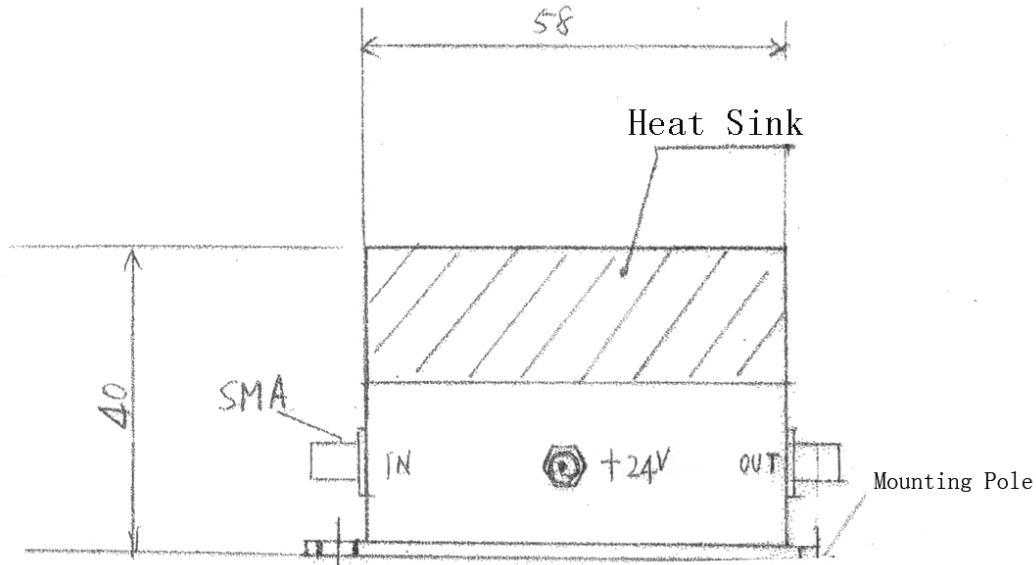


## Power Amplifier

P/N: JXWBPA-T-20-200-18

Frequency Range(MHz)	20-200
Gain(dB)	18
Pout@1dB(dBm)	+33 ~ +34
VSWR	2.5 max
Supply Voltage(V)	24
Supply Current(mA)	700
Connector	SMA-Female
Net Weight(Kg)	0.19 Around

### Outline Drawing (Size: mm)



For current data sheets, please contact: [sales@aacix.com](mailto:sales@aacix.com)