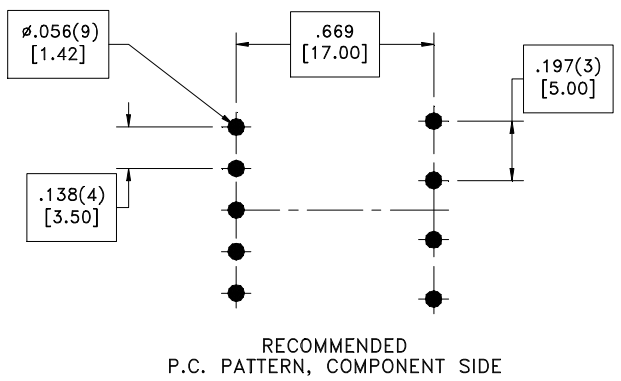
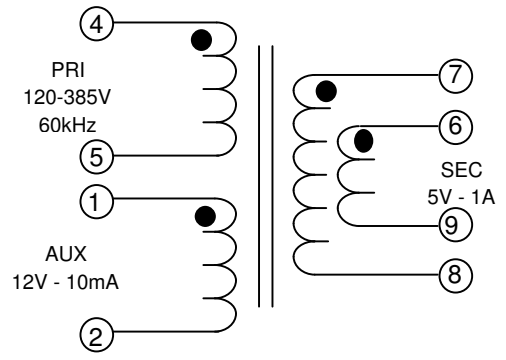
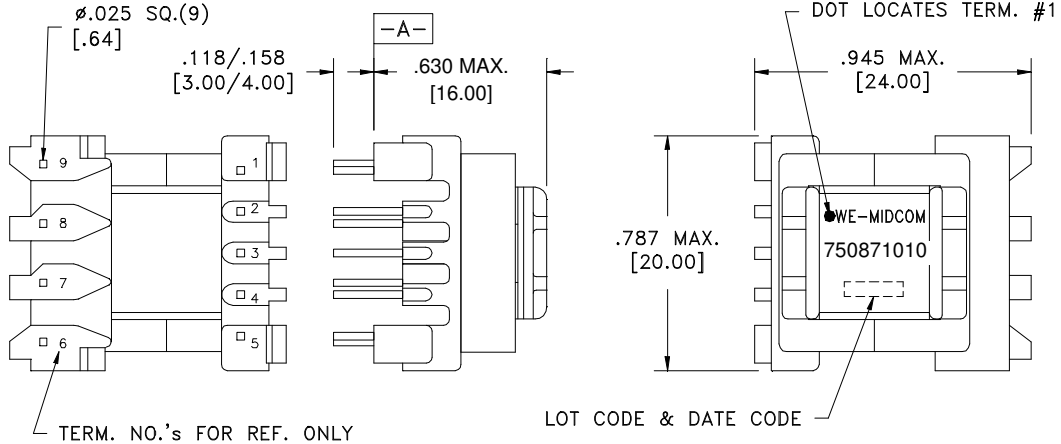


CUSTOMER TERMINAL	RoHS	LEAD(Pb)-FREE
Sn96%, Ag4%	Yes	Yes



PART MUST INSERT FULLY TO SURFACE A IN RECOMMENDED GRID
 $\phi.025$ SQ.(9)
 [.64]



ELECTRICAL SPECIFICATIONS @ 25°C unless otherwise noted:

- D.C. RESISTANCE (@20°C):
 1-2 , 1.05 Ohms max.
 4-5 , 6.00 Ohms max.
 6-9 , 0.052 Ohms max.
 7-8 , 0.066 Ohms max.
- DIELECTRIC RATING:
 4000VAC, 1 minute tested by applying 5000VAC for 1 second between pins 4-6(1+5,6+7).
 1500VAC, 1 minute tested by applying 1875VAC for 1 second between pins 1-4.
- INDUCTANCE:
 3.30 mH \pm 10%, 10kHz, 100mVAC, 0mADC, 4-5, Ls.
- LEAKAGE INDUCTANCE:
 40.0 μ H \pm 100%, 100kHz, 100mVAC, 4-5(1+2,6+7+8+9), Ls.
- TURNS RATIO:
 (4-5):(6-9), (14.36):(1.00), \pm 1%.
 (4-5):(7-8), (14.36):(1.00), \pm 1%.
 (4-5):(1-2), (6.32):(1.00), \pm 1%.

OPERATING TEMPERATURE RANGE: -40°C to 125°C.

WE-Midcom, Inc. Watertown, SD USA Toll Free: 800-643-2661 Fax: 605-886-4486	Unless otherwise specified, tolerances are as follows: Angles: $\pm 1^\circ$ Fractions: $\pm 1/64$ Decimals: $\pm .005$ (.127mm)		WE-Midcom, Inc.	
	Drawing Title <h1>Transformer</h1>		Drawing Number <h1>750871010</h1>	Rev. <h1>00</h1>
Revisions: See Sheet 1		Scale ----	Sheet 2 of 5	
This drawing is dual dimensioned. Dimensions in brackets are in millimeters		Engineer:PLP		09/24/2008