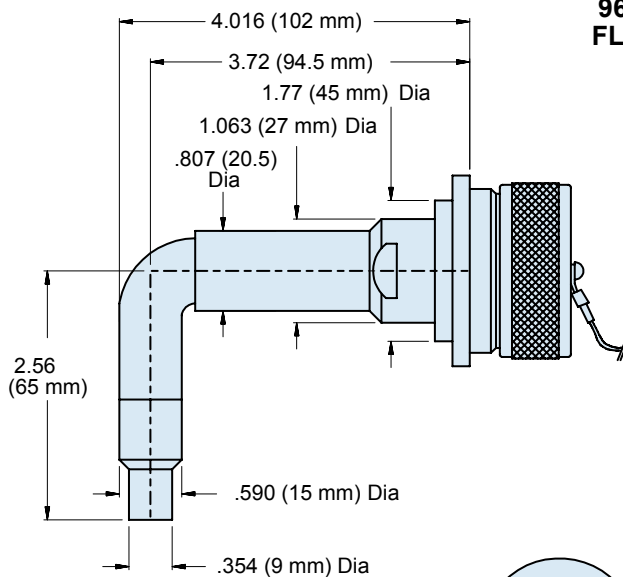


# 185-960 (02 Flange Mount) Expanded Beam Fiber Optic 90° Bulkhead Connector 960 Series: Eurocomm Type II Hermaphroditic

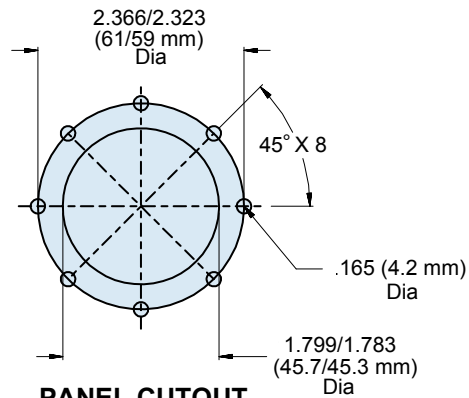
**185-960-A 02-C-50/125**

Product Series  
Basic Number  
Planform  
02 = Flange Mount  
Finish (Table II)  
Fiber Type

SYM	Material	FINISH
C	Aluminum	Anodized, Black
AB	Aluminum	Nickel Aluminum Bronze

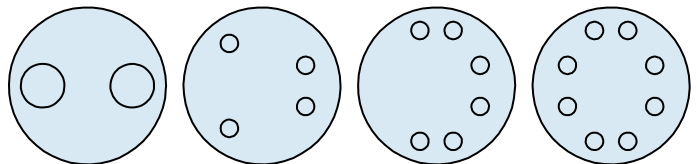


## 960 SERIES RIGHT ANGLED FLANGE MOUNT BULKHEAD



### PANEL CUTOUT

### PLANFORMS



PLANFORM A  
2 CHANNEL

PLANFORM B  
4 CHANNEL

PANFORM C  
6 CHANNEL

PLANFORM D  
8 CHANNEL

(ALSO AVAILABLE WITH STRAIGHT OUTLET)

TABLE I: PERFORMANCE

Optical Loss	50/125 @ 850/1300nm 1.0 dB Typical
Operating Temperature	-40°C to +70°C
Storage Temperature	-55°C to +85°C
Water Immersion	Up to 2M Depth
Vibration Sinusoidal	10-500Hz, 0.75 Amplitude @ 10g Acceleration
Free Fall Resistance	500 Falls onto Concrete from 1.2M height
Bump Resistance	4,000 Bumps @ 40g Acceleration
Tensile Strength	Tensile of 1,800N, Cable Dependent
Cable Variations	Compatible with Tactical cable: Plug <6.5mm O/D Bulkhead Other Cable Sizes Available on request

All Tests Compliant to BS EN 186000-1 Specifications

**PART SUPPLIED ONLY AS  
TERMINATED ASSEMBLY**

**CONSULT FACTORY  
FOR CABLE DESIGN**