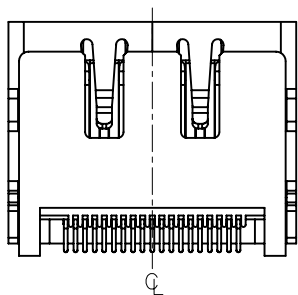
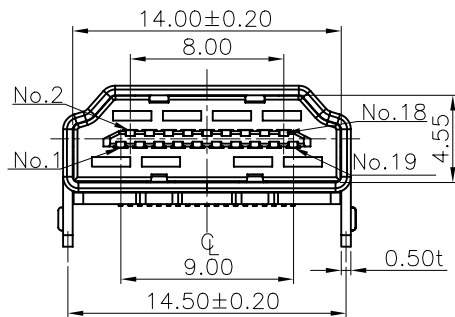
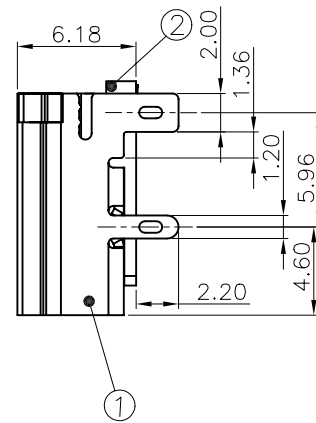
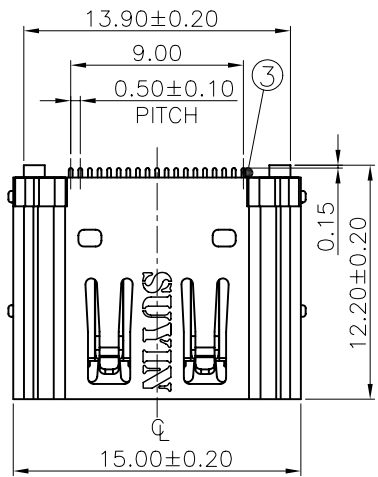




RoHS Compliant
2002/95/EC



NOTES:
100042MB019S□50ZA

1.Plating

- S1-05u" Min. gold in contact area/
100u" Min. Tin in solder area.
- S2-Gold flash in contact area/
100u" Min. Tin in solder area.
- S3-10u" Min. gold in contact area/
100u" Min. Tin in solder area.
- S4-15u" Min. gold in contact area/
100u" Min. Tin in solder area.
- S5-30u" Min. gold in contact area/
100u" Min. Tin in solder area.

NO.	DESCRIPTION	MATERIAL	COLOR	REMARK
3	Terminal	Copper Alloy	—	Gold/Tin Plated Over Ni
2	Housing	High Temp.	Black	UL 94V-0
1	Shell	Metal	—	Ni Plated

SUYIN
CONNECTOR

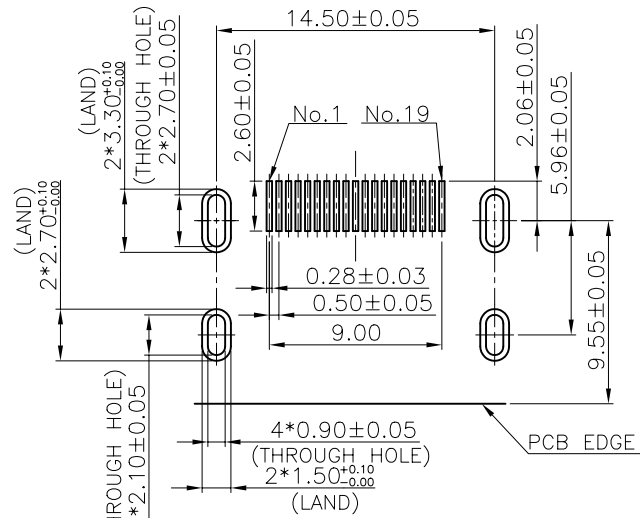
CUSTOMER COPY	TITLE: HDMI Receptacle Reverse SMT Type Connector			
PART NO.		100042MB019SX50ZA		
PRODUCT SPEC.		100042MX019XXXXZX		
FILE NAME.	DWG	100042MB019SX50ZA-C		
SCALE	2.5:1	UNIT:mm	A4	SHEET: 1 of 3

ECN(DCN) NO.	REV	DATE	DESCRIPTION	CHANGE	APPRO.	Angle	±2'	DRAW	李楠	06'/11/29
						30 ~	±0.50	DESIGN	李楠	06'/11/29
	0		NEW RELEASE	李楠童俐		10 ~ 30	±0.30	CHECK	鄭冰雨	06'/11/29
	P0	06'/09/01	NEW	李楠童俐		~ 10	±0.15	APPRO.	童俐	06'/11/29

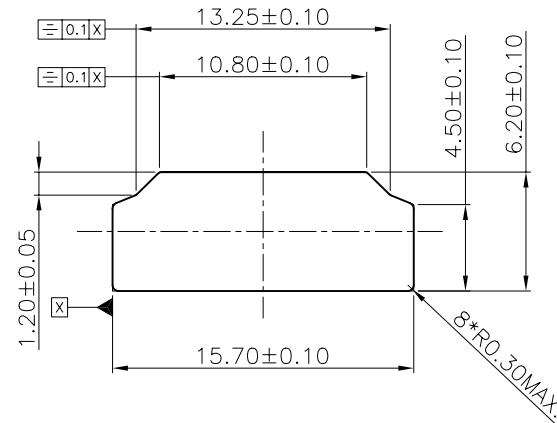
GENERAL TOLERANCE UNLESS OTHERWISE NOTED



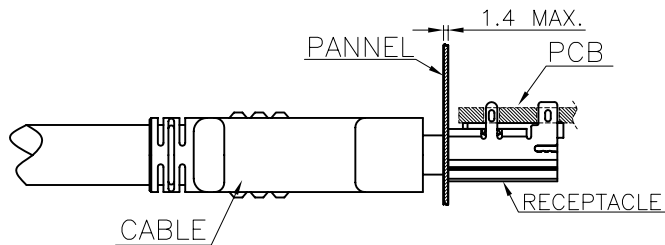
RoHS Compliant
2002/95/EC



RECOMMENDED PCB LAYOUT (THICKNESS=1.6±0.15mm)



REFERENCE PANEL CUT OUT DIMENSION



REFERENCE MOUNT DIMENSION

3	Terminal	Copper Alloy	——	Gold/Tin Plated Over Ni
2	Housing	High Temp.	Black	UL 94V-0
1	Shell	Metal	——	Ni Plated
NO.	DESCRIPTION	MATERIAL	COLOR	REMARK

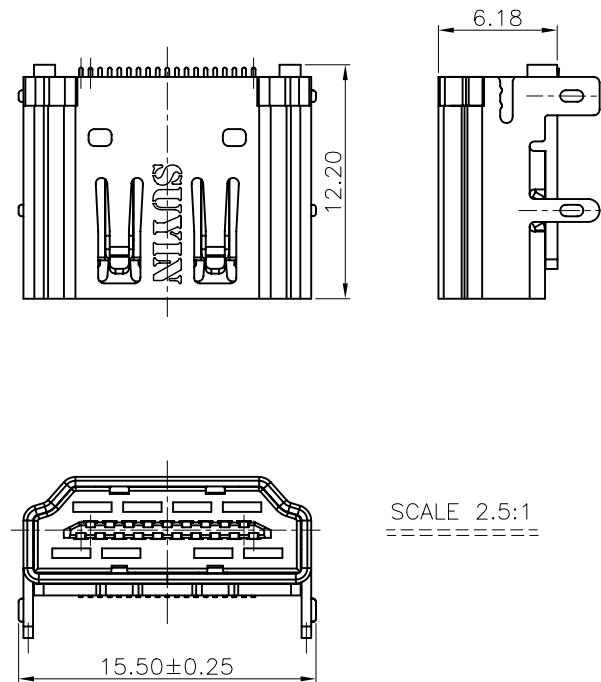
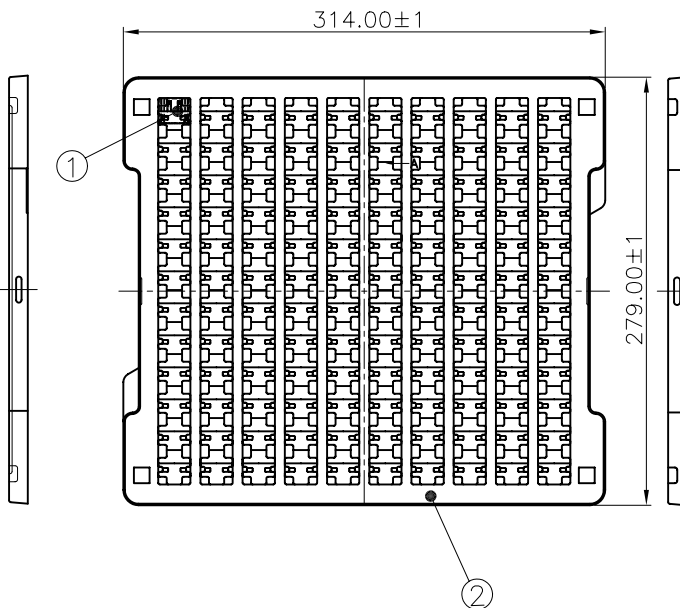
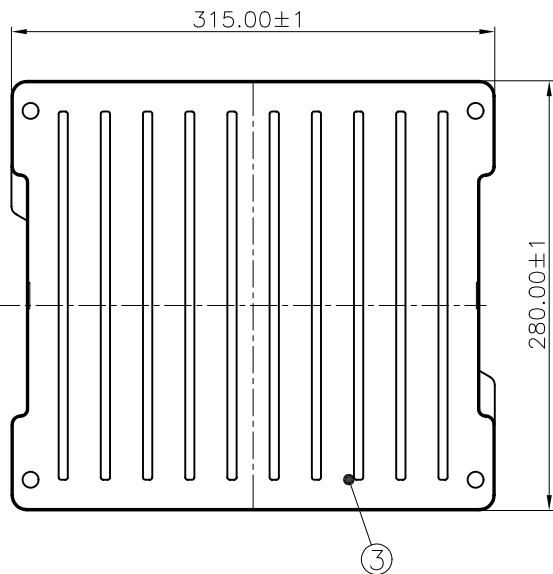
SUYIN
CONNECTOR

CUSTOMER COPY	TITLE: HDMI Receptacle Reverse SMT Type Connector			
PART NO.	100042MB019SX50ZA			
PRODUCT SPEC.	100042MX019XXXXZX			
FILE NAME.	D	100042MB019SX50ZA-C		
SCALE	2.5:1	UNIT:mm	A4	SHEET: 2 of 3

				Angle	±2°	DRAW	李楠	06'/11/29	
				30 ~	±0.50	DESIGN	李楠	06'/11/29	
	0	NEW RELEASE	李楠童俐	10 ~ 30	±0.30	CHECK	鄭冰雨	06'/11/29	
	P0	06'/09/01	NEW	李楠童俐	~ 10	±0.15	APPRO.	童俐	06'/11/29
ECN(DCN) NO.	REV	DATE	DESCRIPTION	CHANGE	APPRO.	GENERAL TOLERANCE UNLESS OTHERWISE NOTED	APPRO.	童俐	06'/11/29



RoHS Compliant
2002/95/EC



SCALE 2.5:1

1 Package Information

Part Number	Q'ty per tray
100042MB019SX50ZA	120 pcs

NOTE:1.ALL dimensions toerance are:
±0.30mm unless otherwise specified.
2.TRAY(BOTTOM):T=0.70mm
TRAY(Top):T=0.70mm

NO.	DESCRIPTION	MATERIAL	COLOR	REMARK
3	TRAY(TOP)	PVC	TRANS	——
2	TRAY(BOTTOM)	PVC	TRANS	——
1	Product	——	——	100042MB019SX50ZA

SUYIN
CONNECTOR

CUSTOMER COPY	TITLE: HDMI Receptacle Reverse SMT Type Connector		
PART NO.		100042MB019SX50ZA	
PRODUCT SPEC.		100042MX019XXXXZX	
FILE NAME.	DWG	100042MB019SX50ZA-C	
SCALE	1:5	UNIT:mm	A4 SHEET: 3 of 3

ECN(DCN) NO.	REV	DATE	DESCRIPTION	CHANGE	APPRO.	GENERAL TOLERANCE UNLESS OTHERWISE NOTED	APPRO.	NAME	DATE	
						Angle		DRAW	李楠	06'/11/29
						30 ~	±0.50	DESIGN	李楠	06'/11/29
	0		NEW RELEASE		李楠 童俐	10 ~ 30	±0.30	CHECK	鄭冰雨	06'/11/29
	P0	06'/09/01	NEW		李楠 童俐	~ 10	±0.15	APPRO.	童俐	06'/11/29