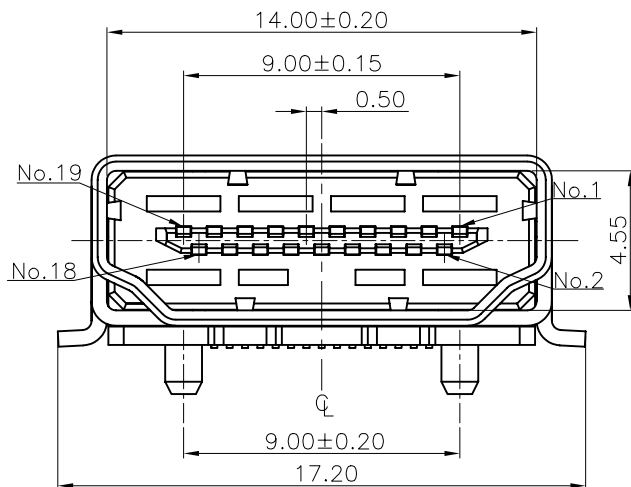
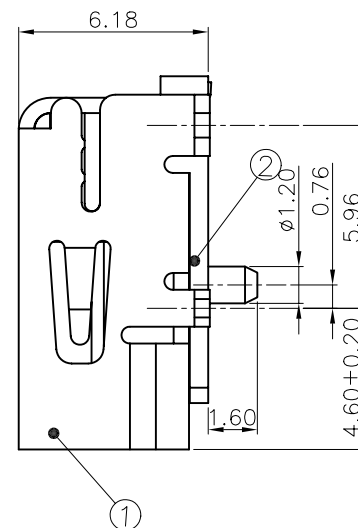
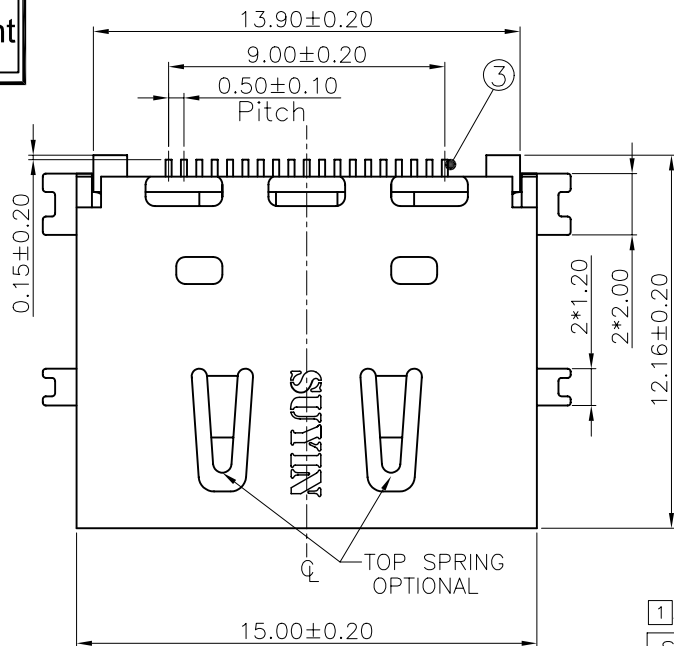




RoHS Compliant
2002/95/EC



1. Notes:

SUYIN P/NO.	Product Description
100042MB019SX17ZA	Top without spring.
100042MB019SX11ZA	Top with spring.

2. NOTES:

100042MB019S□XXZA

1. Plating

- S1-05u" Min. gold in contact area/
100u" Min. Tin in solder area.
- S2-Gold flash in contact area/
100u" Min. Tin in solder area.
- S3-10u" Min. gold in contact area/
100u" Min. Tin in solder area.
- S4-15u" Min. gold in contact area/
100u" Min. Tin in solder area.
- S5-30u" Min. gold in contact area/
100u" Min. Tin in solder area.

NO.	DESCRIPTION	MATERIAL	COLOR	REMARK
3	Terminal	Copper Alloy	—	Gold/Tin Plated Over Ni
2	Housing	High Temp.	Black	UL 94V-0
1	Shell	Metal	—	Ni Plated

SUYIN
CONNECTOR

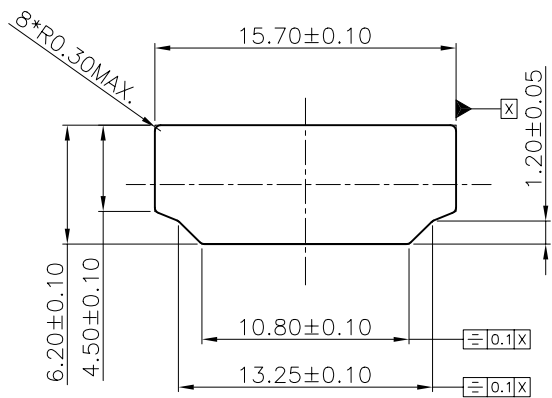
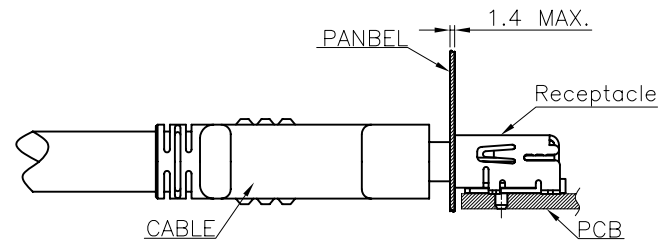
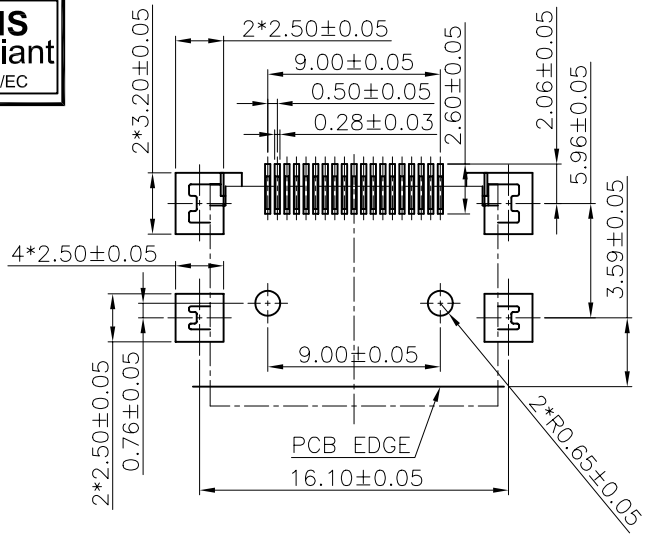
CUSTOMER COPY	TITLE: HDMI Receptacle SMT Type Female Connector With Flange			
PART NO.		100042MB019SXXXZA		
PRODUCT SPEC.		100042MX019XXXXZX		
FILE NAME.	DWG	100042MB019SXXXZA-11C		
SCALE	4:1	UNIT:mm	A4	SHEET: 1 of 3

ECN(DCN) NO.	REV	DATE	DESCRIPTION	CHANGE	APPRO.	Angle	±2°	DRAW	李楠	06/11/29
	0		NEW RELEASE	李楠童俐		30 ~	±0.50	DESIGN	李楠	06/11/29
	P0	06/09/01	NEW	李楠童俐		10 ~ 30	±0.30	CHECK	鄭冰雨	06/11/29
						~ 10	±0.15	APPRO.	童俐	06/11/29

GENERAL TOLERANCE UNLESS OTHERWISE NOTED



RoHS Compliant
2002/95/EC



NO.	DESCRIPTION	MATERIAL	COLOR	REMARK
3	Terminal	Copper Alloy	—	Gold/Tin Plated Over Ni
2	Housing	High Temp.	Black	UL 94V-0
1	Shell	Metal	—	Ni Plated

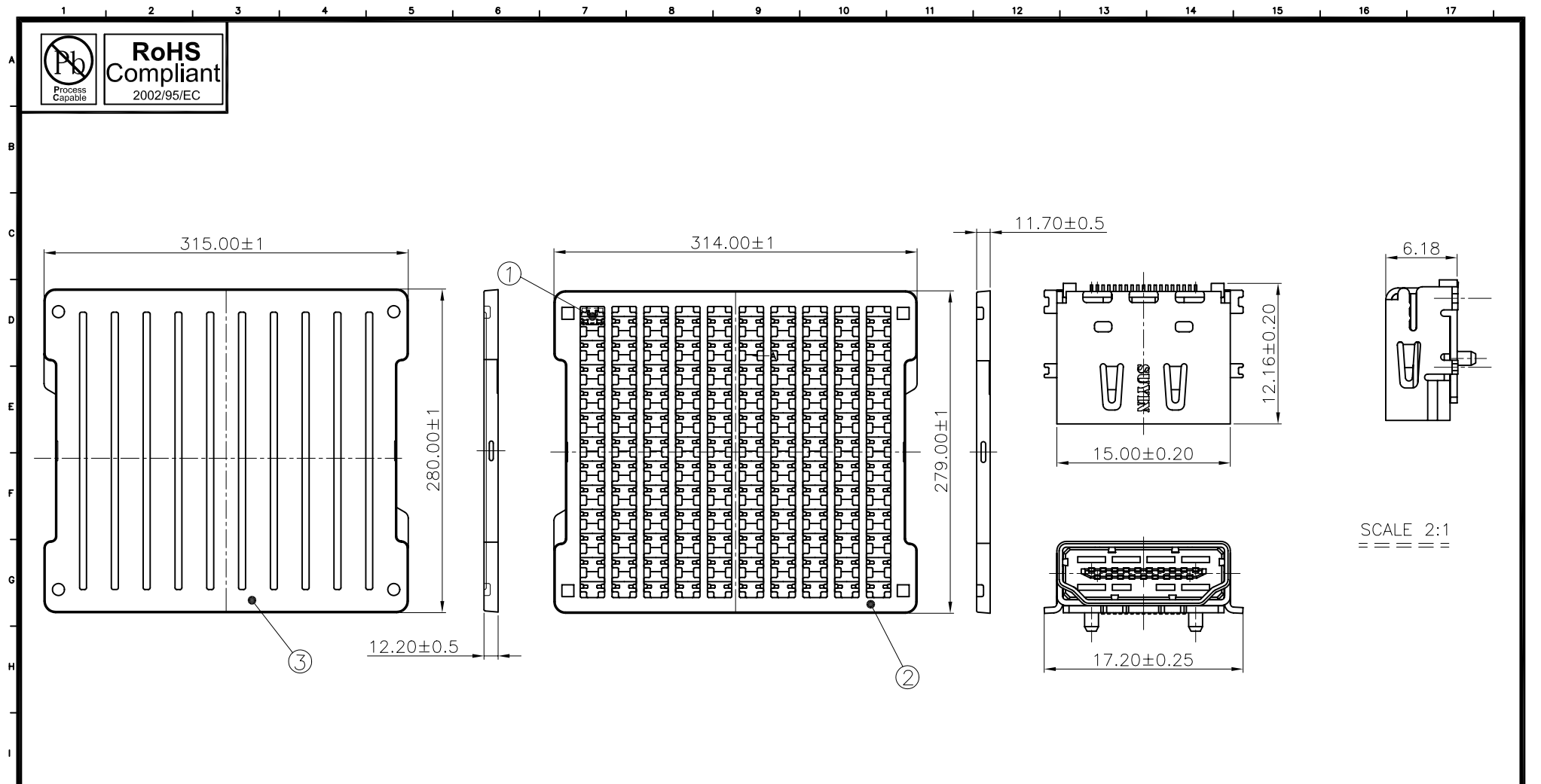
SUYIN
CONNECTOR

CUSTOMER COPY	TITLE: HDMI Receptacle SMT Type Female Connector With Flange		
PART NO.	100042MB019SXXXZA		
PRODUCT SPEC.	100042MX019SXXXZX		
FILE NAME.	D	100042MB019SXXXZA-11C	
SCALE	2.5:1	UNIT:mm	A4 SHEET: 2 of 3

ECN(DCN) NO.	REV	DATE	DESCRIPTION	CHANGE	APPRO.	GENERAL TOLERANCE UNLESS OTHERWISE NOTED	Angle	±2°	DRAW	李楠	06'/11/29
	0		NEW RELEASE	李楠	童俐		30 ~	±0.50	DESIGN	李楠	06'/11/29
	P0	06'/09/01	NEW	李楠	童俐		10 ~ 30	±0.30	CHECK	鄭冰雨	06'/11/29
							~ 10	±0.15	APPRO.	童俐	06'/11/29



RoHS Compliant
2002/95/EC



SCALE 2:1

1 Package Information

Part Number	Q'ty per tray
100042MB019SX17ZA	120PCS
100042MB019SX11ZA	120PCS

NOTE:1.ALL dimensions toerance are: ±0.30mm unless otherwise specified.
2.TRAY(BOTTOM):T=0.70mm
TRAY(Top):T=0.70mm

NO.	DESCRIPTION	MATERIAL	COLOR	REMARK
3	TRAY(TOP)	PVC	TRANS	——
2	TRAY(BOTTOM)	PVC	TRANS	——
1	Product	——	——	——

SUYIN CONNECTOR			
CUSTOMER COPY	TITLE: HDMI Receptacle SMT Type Female Connector With Flange		
PART NO.		100042MB019SXXXZA	
PRODUCT SPEC.		100042MX019SXXXZX	
FILE NAME.	DWG	100042MB019SXXXZA-11C	
SCALE	1:5	UNIT:mm	A4 SHEET: 3 of 3

ECN(DCN) NO.	REV	DATE	DESCRIPTION	CHANGE	APPRO.	GENERAL TOLERANCE UNLESS OTHERWISE NOTED	APPRO.	DATE
	0	06' / 09 / 01	NEW RELEASE	李楠	童俐	Angle 30 ~ ±0.50	DRAW	李楠 06' / 11 / 29
			NEW	李楠	童俐	10 ~ 30 ±0.30	DESIGN	李楠 06' / 11 / 29
						~ 10 ±0.15	CHECK	鄭冰雨 06' / 11 / 29
							APPRO.	童俐 06' / 11 / 29