

PLEASE CHECK WWW.MOLEX.COM FOR LATEST PART INFORMATION

Part Number: [0901980001](#)
Status: **Active**
Description: Board-In Stand Alone Crimp Terminal 90198, 22-26 AWG

Documents:

[3D Model](#) [Product Specification PS-90198 \(PDF\)](#)
[Drawing \(PDF\)](#) [RoHS Certificate of Compliance \(PDF\)](#)

General

Product Family Crimp Terminals
 Series [90198](#)
 Crimp Quality Equipment Yes
 Product Name Board-In Stand Alone Terminal

Physical

Gender Male
 Material - Metal Phosphor Bronze
 Material - Plating Mating Tin
 Material - Plating Termination Tin
 Packaging Type Reel
 Plating min: Mating (µin) 40.00
 Plating min: Mating (µm) 1.000
 Plating min: Termination (µin) 40.00
 Plating min: Termination (µm) 1.00
 Termination Interface: Style Crimp or Compression
 Wire Insulation Diameter 1.52mm (.060") max.
 Wire Size AWG 22, 24, 26
 Wire Size mm² N/A

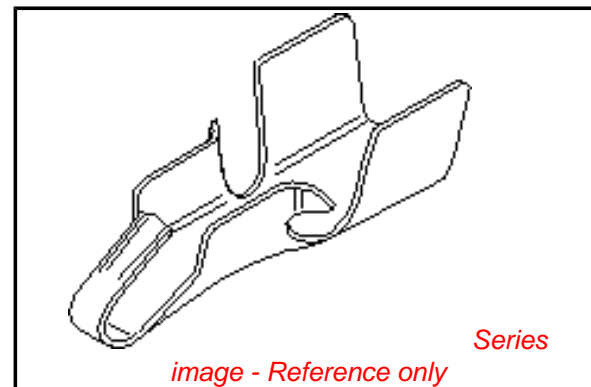
Solder Process Data

Lead-free Process Capability Wave Capable (TH only)

Material Info

Reference - Drawing Numbers

Product Specification PS-90198
 Sales Drawing SD-90198



EU RoHS

**ELV and RoHS
 Compliant**
**REACH SVHC
 Contains SVHC: No
 Halogen-Free
 Status**

China RoHS



**Need more information on product
 environmental compliance?**

Email productcompliance@molex.com
 For a multiple part number RoHS Certificate of
 Compliance, [click here](#)

Please visit the [Contact Us](#) section for any
 non-product compliance questions.

Search Parts in this Series

[90198Series](#)

Application Tooling | [FAQ](#)

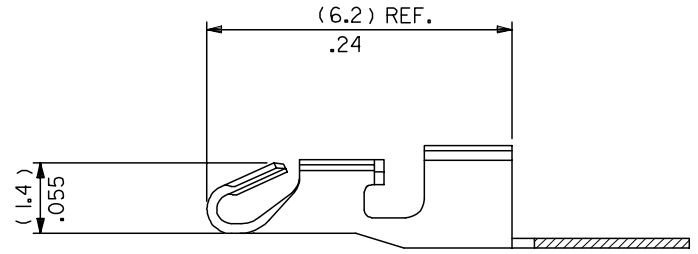
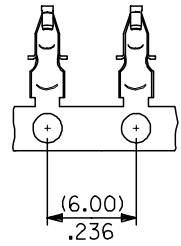
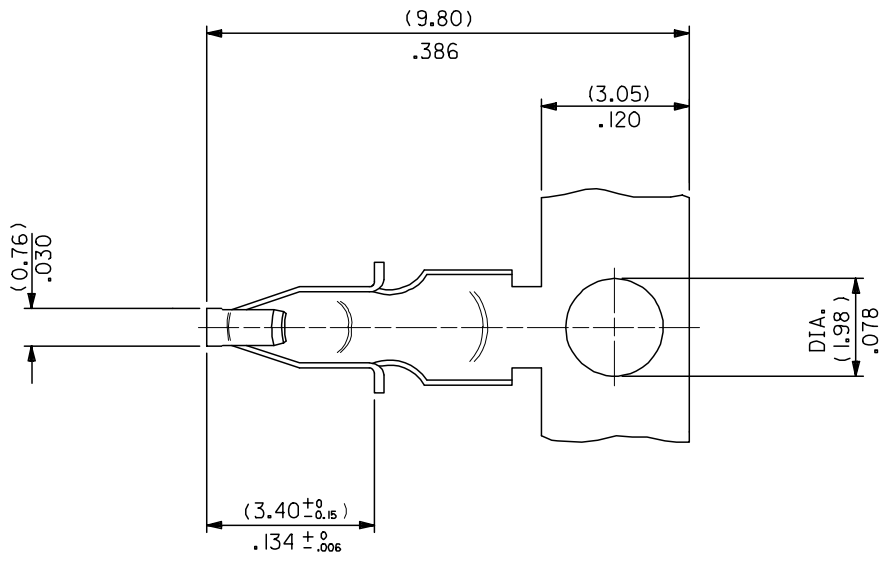
*Tooling specifications and manuals are
 found by selecting the products below.
 Crimp Height Specifications are then
 contained in the Application Tooling
 Specification document.*

Global

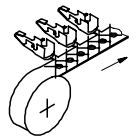
Description	Product #
T2 Terminator Die	0638534000
FineAdjust™ Applicator	0638634000

10 9 8 7 6 5 4 3 2 1

F
E
D
C
B
A



NOTE: INTER LEAF PAPER BETWEEN LAYERS



UNREELING DIRECTION TO CUSTOMER

NOTES.

1. MATERIAL: (0.20)/.008 PHOS.BR, PER E.S. 99001-0454.
2. PLATING: HOT TIN DIP 1.0µm - 2.5 µm
3. TERMINAL WILL ACCOMODATE
22 AWG SOLID OR FUSED WIRE
24 AND 26 AWG SOLID, STRANDED OR FUSED WIRE
WITH (1.52)/.060 MAX. INSULATION DIA.
4. P.C.B. MOUNTING HOLE:
22 AWG DIA (1.23/1.30)-.048/.051
24 AND 26 AWG DIA (1.17/1.25)-.046/.049
5. MAX. PCB THICKNESS (1.57±0.20)/.062±.008

2	M
1	M

UPDATED NOTE 2 EC NO: E2007-0844 DRWN:DMAHER CHKD: APPR:EFOLAN 2007/04/05 2007/04/12 2007/04/13	QUALITY SYMBOLS ▽=0 ▽=0	GENERAL TOLERANCES (UNLESS SPECIFIED)		DIMENSION STYLE MM/IN		SCALE 10:1	DESIGN UNITS METRIC	THIRD ANGLE PROJECTION	
		4 PLACES ± --- ± --- 3 PLACES ± --- ± .008 2 PLACES ± 0.20 ± .015 1 PLACE ± 0.38 ± --- ANGULAR ± .5 °	mm INCH	DRAWN BY MC	DATE 88/10/30	TITLE PCM CRIM TERM BRD-IN STAND ALONE 1TNL			
M	REV	DRAFT WHERE APPLICABLE MUST REMAIN WITHIN DIMENSIONS		CHECKED BY MWILHITE	DATE 88/05/03	MOLEX INCORPORATED		SHEET NO. 1 OF 2	
		MATERIAL NO. 901980001		DOCUMENT NO. SD-90198		THIS DRAWING CONTAINS INFORMATION THAT IS PROPRIETARY TO MOLEX INCORPORATED AND SHOULD NOT BE USED WITHOUT WRITTEN PERMISSION			

9 8 7 6 5 4 3 2 1