

PLEASE CHECK WWW.MOLEX.COM FOR LATEST PART INFORMATION

Part Number: [0876090061](#)
Status: **Active**
Description: 1.27mm (.050") Pitch DIMM 8-Byte Socket, Right Angle, Multi-Key, 168 Circuits, with Beveled Metal Pins and Plastic Pegs, with Beige Latches, 3.18mm (.125") Tail Length, 0.38µm (15µ") Gold (Au) Plating, Center Function Key, Leadfree

Documents:

[3D Model](#) [Product Specification PS-87609-002 \(PDF\)](#)
[Drawing \(PDF\)](#) [RoHS Certificate of Compliance \(PDF\)](#)

General

Product Family	Memory Module Sockets
Series	87609
Comments	Latches in Beige Color
Component Type	Memory Module
JEDEC Outline	MO-161
Product Name	DIMM

Physical

Circuits (Loaded)	168
Color - Resin	Black, Natural
Durability (mating cycles max)	25
Entry Angle	90° Angle (Side Entry)
Function Key	Center
Keying to Mating Part	Yes
Material - Metal	Brass, High Performance Alloy (HPA)
Material - Plating Mating	Gold
Material - Plating Termination	Tin
Material - Resin	High Temperature Thermoplastic
PC Tail Length (in)	0.125 In
PC Tail Length (mm)	3.18 mm
PCB Locator	Yes
PCB Retention	Yes
PCB Thickness Recommended (in)	0.093 In
PCB Thickness Recommended (mm)	2.40 mm
Packaging Type	Tray
Pitch - Mating Interface (in)	0.050 In
Pitch - Mating Interface (mm)	1.27 mm
Plating min: Mating (µin)	15.2
Plating min: Mating (µm)	0.38
Plating min: Termination (µin)	101.6
Plating min: Termination (µm)	2.54
Temperature Range - Operating	-10°C to +85°C
Termination Interface: Style	Through Hole

Electrical

Current - Maximum per Contact	1A
Voltage - Maximum	125V
Voltage Key	3.3V, Center

Solder Process Data

Duration at Max. Process Temperature (seconds)	30
Lead-free Process Capability	SMC & Wave Capable (TH only)
Max. Cycles at Max. Process Temperature	1
Process Temperature max. C	240

Material Info

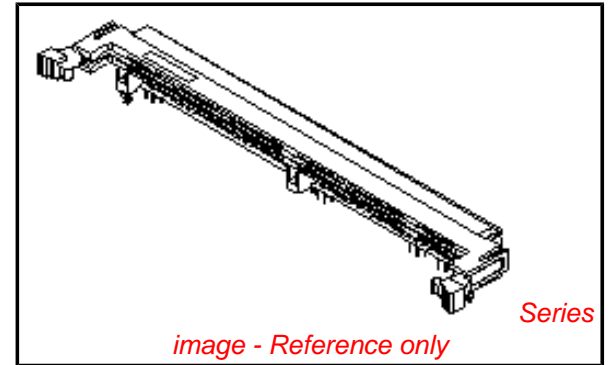


image - Reference only

EU RoHS

**ELV and RoHS
Compliant**

REACH SVHC

Not Reviewed

Halogen-Free

Status

Not Halogen-Free

China RoHS



**Need more information on product
environmental compliance?**

Email productcompliance@molex.com
 For a multiple part number RoHS Certificate of Compliance, [click here](#)

Please visit the [Contact Us](#) section for any non-product compliance questions.

Search Parts in this Series

[87609Series](#)

Mates With

JEDEC MO-161 modules

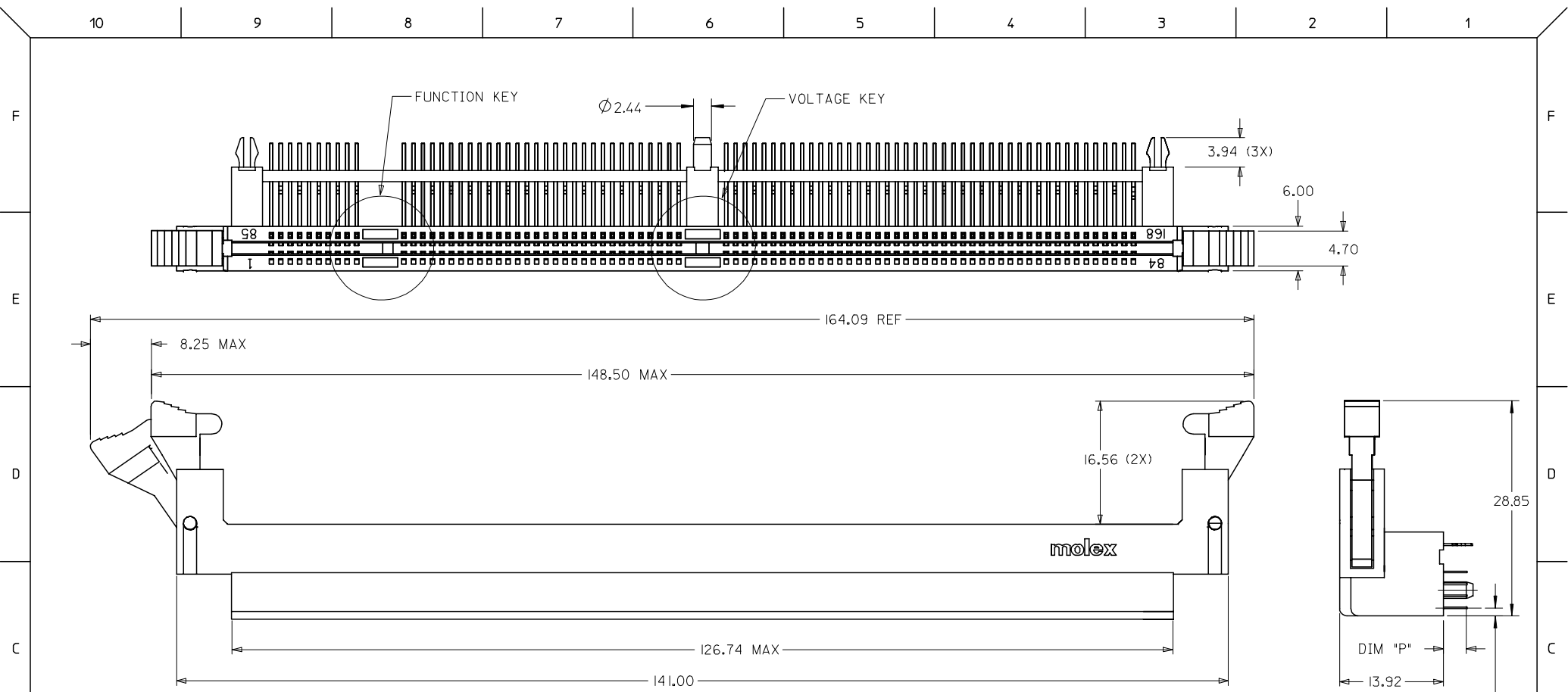
Reference - Drawing Numbers

Product Specification
Sales Drawing

PS-87609-002
SD-87609-001

This document was generated on 04/09/2010

PLEASE CHECK WWW.MOLEX.COM FOR LATEST PART INFORMATION

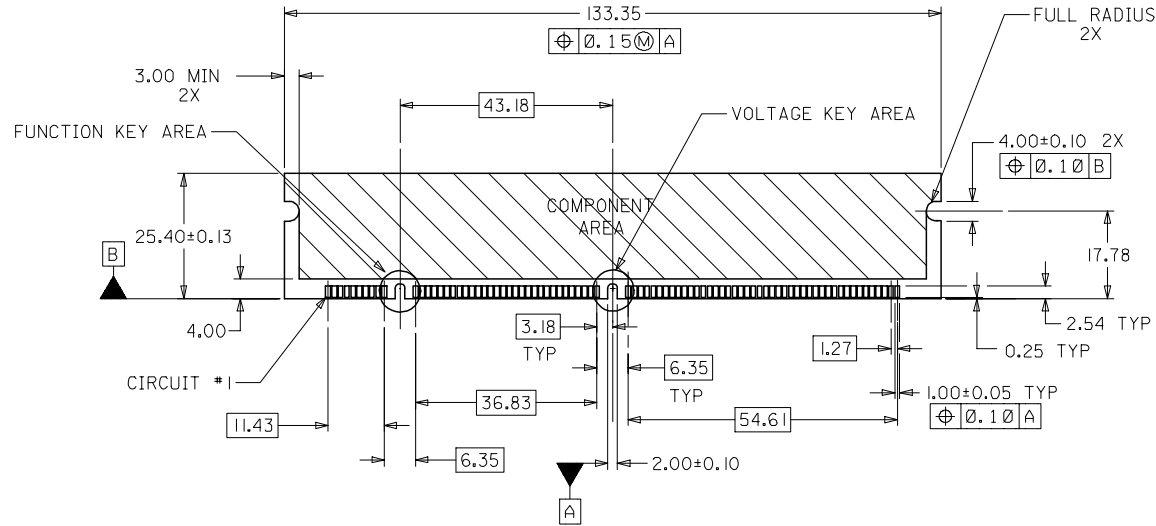


NOTES:

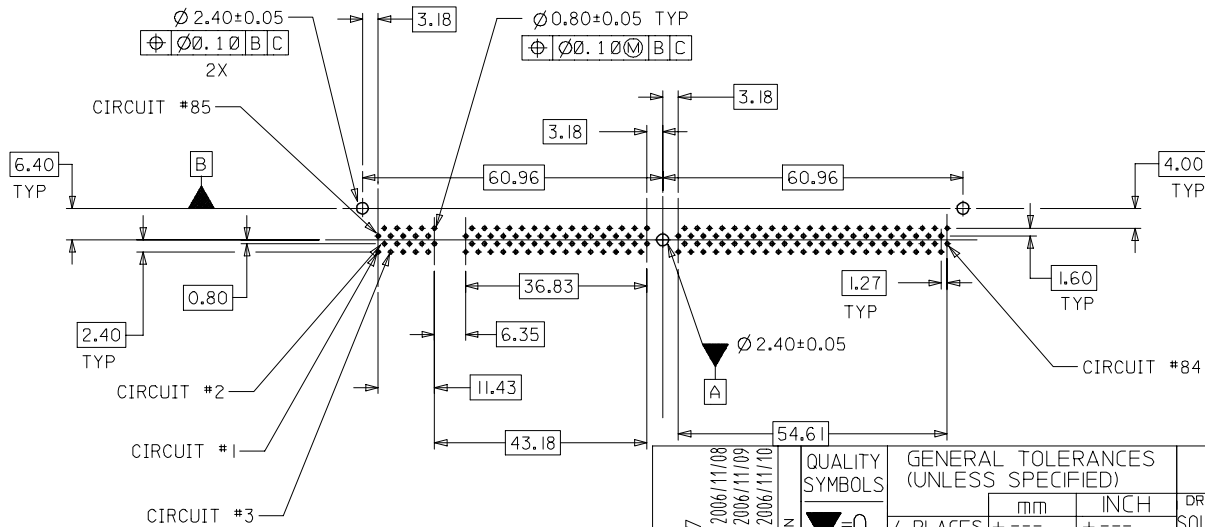
1. PRODUCT SPEC PS-87609-002 APPLIES.
2. PRODUCT IS PACKAGED IN TRAYS.
3. MATERIALS:
 - HOUSING, COVER & BASEPLATE - LCP, GLASS FILLED, UL 94V-0, COLOR: BLACK
 - TERMINAL - PHOSPHOR BRONZE
 - LATCHES - HIGH-TEMP NYLON, GLASS FILLED, UL 94V-0, COLOR: BEIGE
 - FORCKLOCKS - COPPER ALLOY OR STEEL ALLOY
4. PLATING:
 - CONTACT AREA: SEE TABLE ON SHEET 3 OF 3 FOR GOLD PLATING OPTION AT CONTACT AREA
 - SOLDER TAIL: 75 μ M/(1.91 μ M) MIN. TIN
 - UNDERPLATE: 50 μ M/(1.27 μ M) MIN. NICKEL

VOID P/N EC NO: S2007-0207 DRWNS:KANG 2006/11/08 CHKD:M LONG 2006/11/09 APPR:SKTOH 2006/11/10	DESCRIPTION REV	QUALITY SYMBOLS ▽=0 ▽C=0	GENERAL TOLERANCES (UNLESS SPECIFIED)		DIMENSION STYLE MM ONLY		SCALE NTS	DESIGN UNITS METRIC	THIRD ANGLE PROJECTION	
			mm	INCH	DRAWN BY SQUEK	DATE 2000/01/21	TITLE DDR DIMM, 1.27MM PITCH 168 CKTS, R/A			
			4 PLACES	± ---	± ---	CHECKED BY KCLING	DATE 2000/03/01	MOLEX INCORPORATED		
			3 PLACES	± ---	± ---	APPROVED BY SKTOH	DATE 2000/03/03	DOCUMENT NO. SD-87609-001		
			2 PLACES	± 0.25	± ---	MATERIAL NO.		SHEET NO. 1 OF 3		
			1 PLACE	± ---	± ---	SIZE A3		THIS DRAWING CONTAINS INFORMATION THAT IS PROPRIETARY TO MOLEX INCORPORATED AND SHOULD NOT BE USED WITHOUT WRITTEN PERMISSION		
DRAFT WHERE APPLICABLE MUST REMAIN WITHIN DIMENSIONS			SEE TABLE							

10 9 8 7 6 5 4 3 2 1

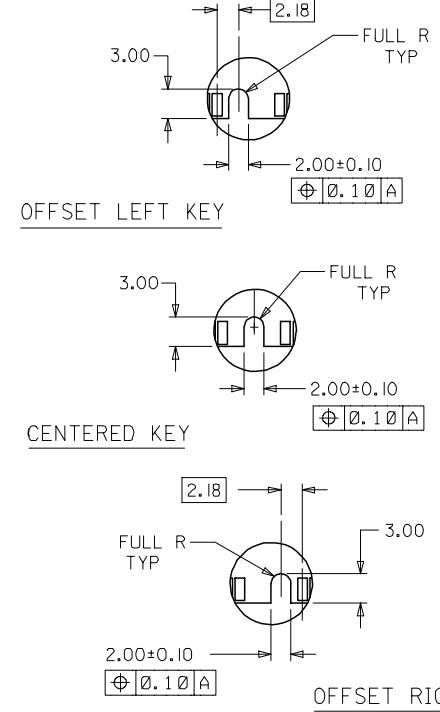


RECOMMENDED MODULE LAYOUT
(PER JEDEC STANDARD MO-161, I68 CKT. 3.3V)



RECOMMENDED
P.C. BOARD HOLE PATTERN
(CONNECTOR SIDE)

FUNCTION KEY AREA OPTIONS
(REFER ALSO TO TABLE ON SHT. 3)



NOTES:

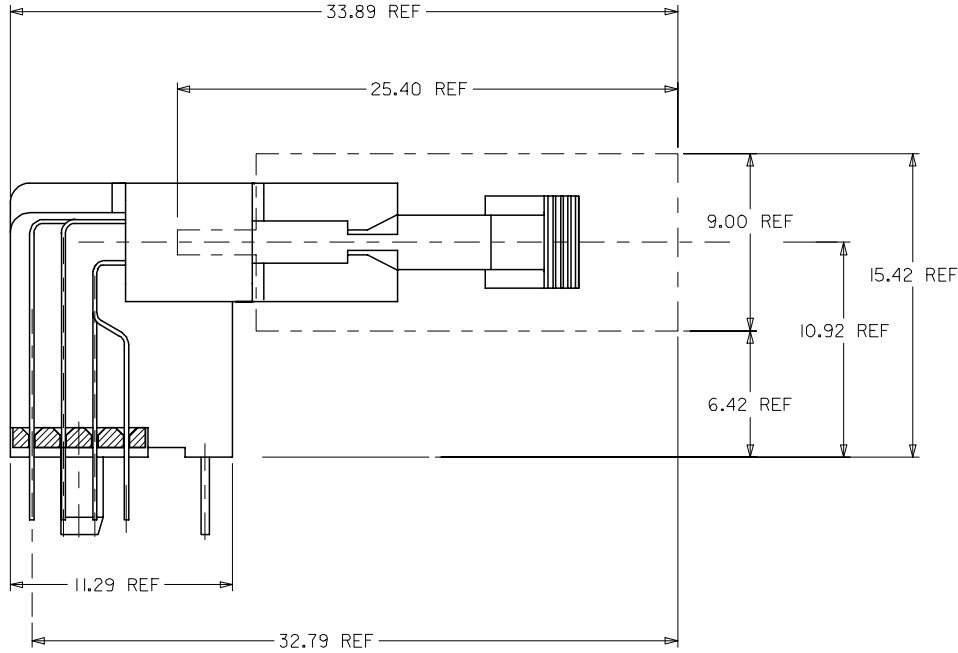
1. STRAIGHTNESS OF MODULE APPLIES TO THE AREA FROM THE BOTTOM OF THE CARD UP 4.00(157)
2. RECOMMENDED PLATING ON MODULE PADS: 0.76 MICROMETER(30 MICROINCH) MINIMUM HARD GOLD OVER 2.0 MICROMETER(79 MICROINCH) MINIMUM NICKEL.

VOID P/N	2006/11/08	2006/11/09	2006/11/10
EC NO: S2007-0207	DRWNS:KANG	CHKD:M LONG	APPR:SKTOH
DESCRIPTION	QUALITY SYMBOLS	GENERAL TOLERANCES (UNLESS SPECIFIED)	
	▽=0	DIMENSION STYLE	
	▽C=0	MM ONLY	
		mm	INCH
		4 PLACES ± ---	± ---
		3 PLACES ± ---	± ---
		2 PLACES ± 0.25	± ---
		1 PLACE ± ---	± ---
		ANGULAR ± 5 °	
		DRAFT WHERE APPLICABLE MUST REMAIN WITHIN DIMENSIONS	

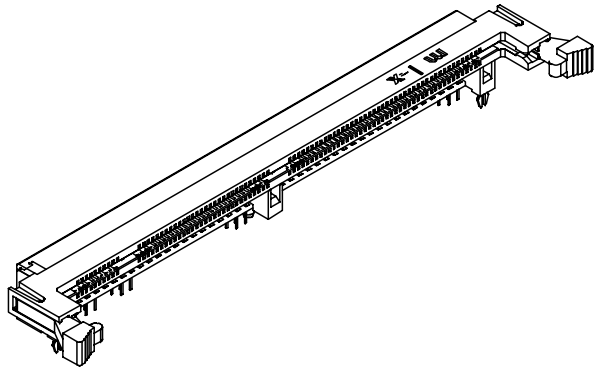
DRAWN BY	DATE	TITLE
SQUEK	2000/01/21	DDR DIMM, 1.27MM PITCH
CHECKED BY	DATE	168 CKTS, R/A
KCLING	2000/03/01	
APPROVED BY	DATE	
SKTOH	2000/03/03	
MATERIAL NO.	DOCUMENT NO.	SHEET NO.
	SD-87609-001	2 OF 3

SCALE	DESIGN UNITS	THIRD ANGLE PROJECTION
NTS	METRIC	
MOLEX INCORPORATED		
SEE TABLE		
THIS DRAWING CONTAINS INFORMATION THAT IS PROPRIETARY TO MOLEX INCORPORATED AND SHOULD NOT BE USED WITHOUT WRITTEN PERMISSION		

9 8 7 6 5 4 3 2 1



ACTUAL MODULE HEIGHT AND CLEARANCE
WHEN USING A 9.00MM THICK BY 25.40MM HEIGHT
MODULE (TYPICAL SOJ PACKAGING).



PART NUMBER	FUNCTION KEY	GOLD PLATING OPTION AT CONTACT AREA	DATUM VOLTAGE KEY	TAIL LENGTH P±0.25	RECOMMENDED PCB THICKNESS
87609-0051	LEFT	15µN/(0.38µM) MIN.	CENTER (3.3V)	2.79	1.57
87609-0052	CENTRE				
87609-0053	RIGHT				
87609-0151	LEFT	30µN/(0.76µM) MIN.	CENTER (3.3V)	3.18	2.36
87609-0152	CENTRE				
87609-0153	RIGHT				
87609-0061	CENTRE	15µN/(0.38µM) MIN.	CENTER (3.3V)	3.56	2.79
87609-0062	RIGHT	30µN/(0.76µM) MIN.			
87609-0069	LEFT	15µN/(0.38µM) MIN.	CENTER (3.3V)	3.56	2.79
87609-0070	CENTRE				
87609-0071	RIGHT				
87609-0171	RIGHT	30µN/(0.76µM) MIN.			

VOID P/N EC NO: S2007-0207 DRWNS:KANG 2006/11/08 CHKD:M LONG 2006/11/09 APPR:SKTOH 2006/11/10	DESCRIPTION REV	QUALITY SYMBOLS	GENERAL TOLERANCES (UNLESS SPECIFIED)	DIMENSION STYLE MM ONLY	SCALE NTS	DESIGN UNITS METRIC	THIRD ANGLE PROJECTION																																			
		$\nabla=0$ $\sphericalangle=0$	<table border="1"> <tr> <th></th> <th>mm</th> <th>INCH</th> </tr> <tr> <td>4 PLACES</td> <td>± ---</td> <td>± ---</td> </tr> <tr> <td>3 PLACES</td> <td>± ---</td> <td>± ---</td> </tr> <tr> <td>2 PLACES</td> <td>± 0.25</td> <td>± ---</td> </tr> <tr> <td>1 PLACE</td> <td>± ---</td> <td>± ---</td> </tr> </table>		mm	INCH	4 PLACES	± ---	± ---	3 PLACES	± ---	± ---	2 PLACES	± 0.25	± ---	1 PLACE	± ---	± ---	<table border="1"> <tr> <th>DRAWN BY</th> <th>DATE</th> <th>TITLE</th> </tr> <tr> <td>SQUEK</td> <td>2000/01/21</td> <td rowspan="3">DDR DIMM, 1.27MM PITCH 168 CKTS, R/A</td> </tr> <tr> <th>CHECKED BY</th> <th>DATE</th> </tr> <tr> <td>KCLING</td> <td>2000/03/01</td> </tr> <tr> <th>APPROVED BY</th> <th>DATE</th> <td></td> </tr> <tr> <td>SKTOH</td> <td>2000/03/03</td> <td></td> </tr> </table>	DRAWN BY	DATE	TITLE	SQUEK	2000/01/21	DDR DIMM, 1.27MM PITCH 168 CKTS, R/A	CHECKED BY	DATE	KCLING	2000/03/01	APPROVED BY	DATE		SKTOH	2000/03/03		<table border="1"> <tr> <th>MATERIAL NO.</th> <th>DOCUMENT NO.</th> <th>SHEET NO.</th> </tr> <tr> <td></td> <td>SD-87609-001</td> <td>3 OF 3</td> </tr> </table>	MATERIAL NO.	DOCUMENT NO.	SHEET NO.		SD-87609-001	3 OF 3
			mm	INCH																																						
		4 PLACES	± ---	± ---																																						
3 PLACES	± ---	± ---																																								
2 PLACES	± 0.25	± ---																																								
1 PLACE	± ---	± ---																																								
DRAWN BY	DATE	TITLE																																								
SQUEK	2000/01/21	DDR DIMM, 1.27MM PITCH 168 CKTS, R/A																																								
CHECKED BY	DATE																																									
KCLING	2000/03/01																																									
APPROVED BY	DATE																																									
SKTOH	2000/03/03																																									
MATERIAL NO.	DOCUMENT NO.	SHEET NO.																																								
	SD-87609-001	3 OF 3																																								
DRAFT WHERE APPLICABLE MUST REMAIN WITHIN DIMENSIONS				SEE TABLE	MOLEX INCORPORATED																																					
SIZE A3				THIS DRAWING CONTAINS INFORMATION THAT IS PROPRIETARY TO MOLEX INCORPORATED AND SHOULD NOT BE USED WITHOUT WRITTEN PERMISSION																																						