

PLEASE CHECK WWW.MOLEX.COM FOR LATEST PART INFORMATION

Part Number: [0759001461](#)
Status: **Active**
Overview: [mx150 unshrouded breakaway header](#)
Description: 3.50mm (.138") Pitch, MX150™ Dual Row Header, Breakaway, Right Angle, 12 Circuits, 1.25µm (50µ") Nickel (Ni) Overall, 1.50µm (60µ") Minimum Select Matte Tin (Sn) Plating Overall, 3.05mm (.120") PC Tail Length

Documents:

| | |
|-------------------------------------------------|----------------------------------------------------------|
| Application Specification (PDF) | Packaging Specification (PDF) |
| 3D Model | Product Specification PS-75757-000 (PDF) |
| Drawing (PDF) | RoHS Certificate of Compliance (PDF) |

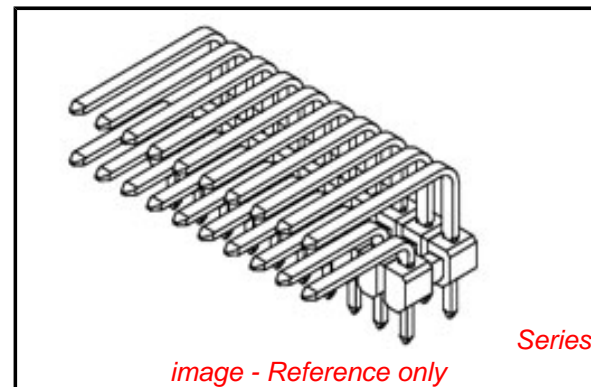


image - Reference only

General

| | |
|----------------|---------------------------------------------------|
| Product Family | PCB Headers |
| Series | 75900 |
| Application | Wire-to-Board |
| Overview | mx150 unshrouded breakaway header |
| Product Name | MX150™ |

Physical

| | |
|--------------------------------|--------------------------------|
| Breakaway | Yes |
| Circuits (Loaded) | 12 |
| Circuits (maximum) | 12 |
| Circuits Detail | 12 |
| Color - Resin | Black |
| Durability (mating cycles max) | 25 |
| First Mate / Last Break | No |
| Glow-Wire Compliant | No |
| Guide to Mating Part | No |
| Keying to Mating Part | None |
| Lock to Mating Part | None |
| Material - Metal | Brass |
| Material - Plating Mating | Tin |
| Material - Plating Termination | Tin |
| Material - Resin | High Temperature Thermoplastic |
| Number of Rows | 2 |
| Orientation | Right Angle |
| PC Tail Length (in) | 0.120 In |
| PC Tail Length (mm) | 3.05 mm |
| PCB Locator | No |
| PCB Retention | None |
| PCB Thickness Recommended (in) | 0.062 In |
| PCB Thickness Recommended (mm) | 1.57 mm |
| Packaging Type | Tube |
| Pitch - Mating Interface (in) | 0.138 In |
| Pitch - Mating Interface (mm) | 3.50 mm |
| Pitch - Term. Interface (in) | 0.138 In |
| Pitch - Term. Interface (mm) | 3.50 mm |
| Plating min: Mating (µin) | 50 |
| Plating min: Mating (µm) | 1.25 |
| Plating min: Termination (µin) | 60 |
| Plating min: Termination (µm) | 1.50 |
| Polarized to Mating Part | No |
| Polarized to PCB | No |
| Shrouded | No |
| Stackable | No |

EU RoHS

ELV and RoHS Compliant
REACH SVHC
 Not Reviewed
Halogen-Free Status
 Not Reviewed

China RoHS



Need more information on product environmental compliance?

Email productcompliance@molex.com
 For a multiple part number RoHS Certificate of Compliance, [click here](#)

Please visit the [Contact Us](#) section for any non-product compliance questions.

Search Parts in this Series

[75900Series](#)

Use With

[MX150™ Receptacles Dual Row Housings 33472](#)

| | |
|--------------------------------|-----------------|
| Surface Mount Compatible (SMC) | Yes |
| Temperature Range - Operating | -40°C to +125°C |
| Termination Interface: Style | Through Hole |

Electrical

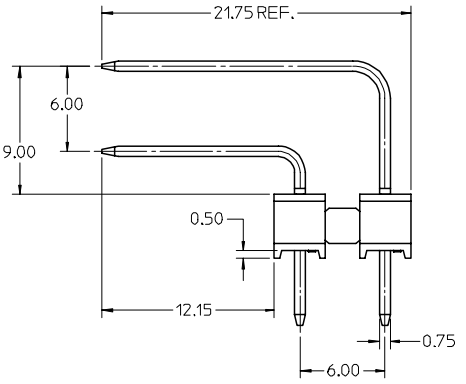
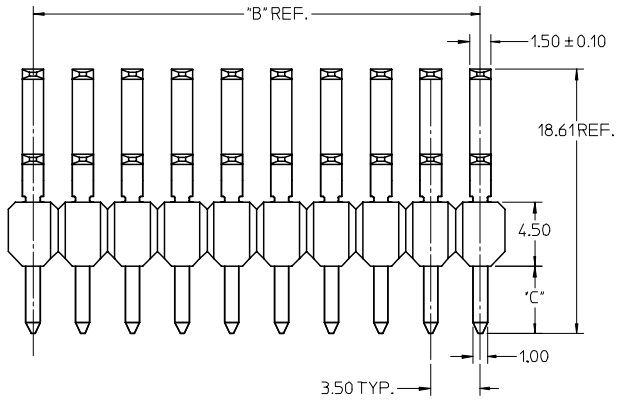
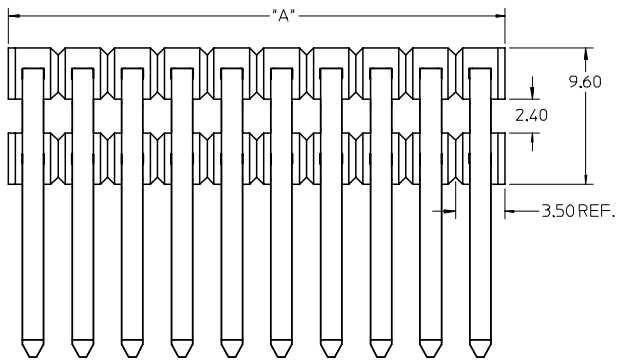
| | |
|-------------------------------|---------|
| Current - Maximum per Contact | 16A |
| Voltage - Maximum | 500V DC |

Material Info**Reference - Drawing Numbers**

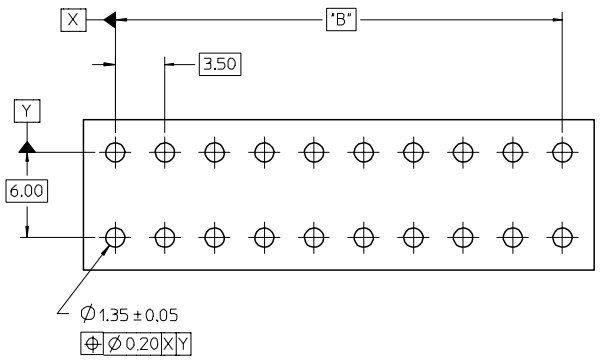
| | |
|---------------------------|--------------|
| Application Specification | AS-75900-206 |
| Product Specification | PS-75757-000 |
| Sales Drawing | SD-75900-001 |

This document was generated on 05/31/2010

PLEASE CHECK WWW.MOLEX.COM FOR LATEST PART INFORMATION



- NOTES:
1. TERMINAL MAT'L: ALLOY C26000, CARTRIDGE BRASS
 2. WAFER MAT'L: 30% GLASS FILLED LCP, 94V-0, COLOR BLACK.
 3. TERMINAL PLATING:
 - OPTION 4 - 1.5µm MIN MATTE TIN OVERALL OVER 1.25µm NICKEL OVERALL
 - OPTION 1 - 2.5µm MIN MATTE TIN OVERALL OVER 1.25µm NICKEL OVERALL
 - OPTION 2 - 1.25µm NICKEL OVERALL 2.5µm MIN SELECT MATTE TIN PC TAIL AREA 0.05-0.25µm SELECT GOLD CONTACT AREA
 - OPTION 3 - 1.25µm NICKEL OVERALL 2.5µm MIN SELECT MATTE TIN PC TAIL AREA 0.75µm SELECT GOLD CONTACT AREA
 4. HEADER ASSEMBLIES ARE TUBE PACKAGED PER PK-75900-9900.
 5. COMPLIES WITH USCAR 1.5mm TERMINAL BLADE SPECIFICATION.



RECOMMENDED PCB LAYOUT

| | | | | | | | | | |
|----------|----------------|-----------------|---------|----------|---------|-----------------|---------|----------|---------|
| 2 x 2 | 1 | 75900-1121 | 7.0 | 3.50 REF | 3.05 | 75900-1122 | 7.0 | 3.50 REF | |
| | 2 | 75900-1221 | | | | 75900-1222 | | | |
| | 3 | 75900-1321 | | | | 75900-1322 | | | |
| | 4 | 75900-1421 | | | | 75900-1422 | | | |
| 2 x 3 | 1 | 75900-1131 | 10.5 | 7.00 | 3.05 | 75900-1132 | 10.5 | 7.00 | |
| | 2 | 75900-1231 | | | | 75900-1232 | | | |
| | 3 | 75900-1331 | | | | 75900-1332 | | | |
| | 4 | 75900-1431 | | | | 75900-1432 | | | |
| 2 x 4 | 1 | 75900-1141 | 14.0 | 10.50 | 3.05 | 75900-1142 | 14.0 | 10.50 | |
| | 2 | 75900-1241 | | | | 75900-1242 | | | |
| | 3 | 75900-1341 | | | | 75900-1342 | | | |
| | 4 | 75900-1441 | | | | 75900-1442 | | | |
| 2 x 6 | 1 | 75900-1161 | 21.0 | 17.50 | 3.05 | 75900-1162 | 21.0 | 17.50 | |
| | 2 | 75900-1261 | | | | 75900-1262 | | | |
| | 3 | 75900-1361 | | | | 75900-1362 | | | |
| | 4 | 75900-1461 | | | | 75900-1462 | | | |
| 2 x 8 | 1 | 75900-1181 | 28.0 | 24.50 | 3.05 | 75900-1182 | 28.0 | 24.50 | |
| | 2 | 75900-1281 | | | | 75900-1282 | | | |
| | 3 | 75900-1381 | | | | 75900-1382 | | | |
| | 4 | 75900-1481 | | | | 75900-1482 | | | |
| 2 x 10 | 1 | 75900-1101 | 35.0 | 31.50 | 3.05 | 75900-1102 | 35.0 | 31.50 | |
| | 2 | 75900-1201 | | | | 75900-1202 | | | |
| | 3 | 75900-1301 | | | | 75900-1302 | | | |
| | 4 | 75900-1401 | | | | 75900-1402 | | | |
| CKT SIZE | PLATING OPTION | MATERIAL NUMBER | *A* DIM | *B* DIM | *C* DIM | MATERIAL NUMBER | *A* DIM | *B* DIM | *C* DIM |

| | | | | | | | | | | | |
|-------------------------------------------------------------------------------------------------------------------------|-------------------------------|---------------------------------------|-------------|----------------------------|-----------------|-------------------------------------------------------------------------------------------------------------------------------|------------------------|------------------------|--|--|--|
| PRELIM RELEASE FCC NO: UCP2006-2758 DRAWN: J. SWENSON 2007/01/17 CHKD: 2007/01/17 APPR: MBANAKIS 2007/01/18 | QUALITY SYMBOLS ▽=0 ▽=0 | GENERAL TOLERANCES (UNLESS SPECIFIED) | | DIMENSION STYLE MM ONLY | | SCALE 4:1 | DESIGN UNITS METRIC | THIRD ANGLE PROJECTION | | | |
| | | 4 PLACES ± --- ± --- | mm INCH | DRAWN BY TMCCLELL | DATE 1/25/06 | TITLE MX150 RIGHT ANGLE DUAL ROW BREAK-AWAY HEADER ASSEMBLY | | | | | |
| | | 3 PLACES ± --- ± --- | ± --- ± --- | CHECKED BY TMCCLELL | DATE 1/25/06 | MATERIAL NO. MOLEX INCORPORATED | | | | | |
| | | 2 PLACES ± 0.13 ± --- | ± --- ± --- | APPROVED BY BANAKIS | DATE 1/25/06 | DOCUMENT NO. SD-75900-001 | | | | | |
| DRAFT WHERE APPLICABLE MUST REMAIN WITHIN DIMENSIONS | | SEE CHART | | SHEET NO. 1 OF 1 | | THIS DRAWING CONTAINS INFORMATION THAT IS PROPRIETARY TO MOLEX INCORPORATED AND SHOULD NOT BE USED WITHOUT WRITTEN PERMISSION | | | | | |