

**PLEASE CHECK WWW.MOLEX.COM FOR LATEST PART INFORMATION**

**Part Number:** [0562798000](#)  
**Status:** **Active**  
**Description:** 3.30mm (.130") Pitch Crimp Terminal, Male, 22-26 AWG, Reel

**Documents:**

[3D Model](#) [Product Specification PS-51347-001 \(PDF\)](#)  
[Drawing \(PDF\)](#) [RoHS Certificate of Compliance \(PDF\)](#)

**General**

Product Family Crimp Terminals  
 Series [56279](#)  
 Crimp Quality Equipment Yes  
 Product Name N/A

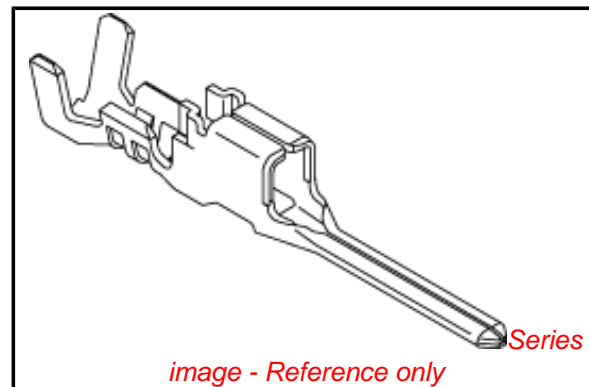
**Physical**

Gender Male  
 Material - Metal Phosphor Bronze  
 Material - Plating Mating Tin  
 Material - Plating Termination Tin  
 Packaging Type Reel  
 Termination Interface: Style Crimp or Compression  
 Wire Insulation Diameter 1.70mm (.067") max.  
 Wire Size AWG 22, 24, 26  
 Wire Size mm<sup>2</sup> N/A

**Material Info**

**Reference - Drawing Numbers**

Product Specification PS-51347-001, RPS-501328-002, RPS-501328-003,  
 RPS-51347-004, RPS-51347-005, RPS-51347-006  
 Sales Drawing SD-56279-001



**EU RoHS**

**ELV and RoHS  
 Compliant**  
**REACH SVHC  
 Contains SVHC: No**  
**Halogen-Free  
 Status  
 Not Reviewed**

**China RoHS**



**Need more information on product  
 environmental compliance?**

Email [productcompliance@molex.com](mailto:productcompliance@molex.com)  
 For a multiple part number RoHS Certificate of  
 Compliance, [click here](#)

Please visit the [Contact Us](#) section for any  
 non-product compliance questions.

**Search Parts in this Series**

[56279Series](#)

**Mates With**

[56187](#) , [56188](#)

**Use With**

[51346](#)

DWG. NO. SD-56279-001

F

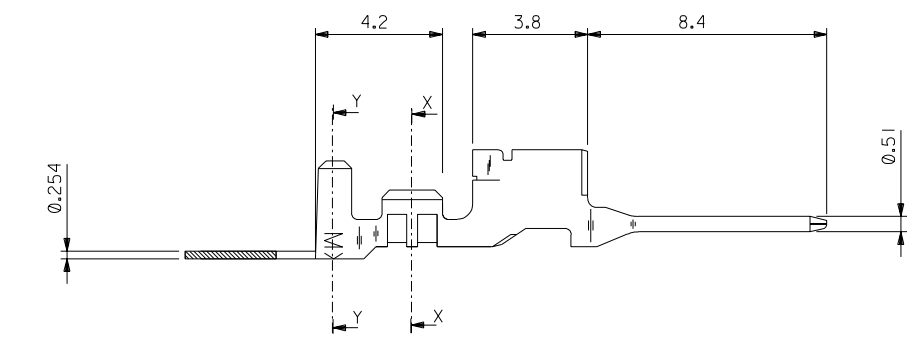
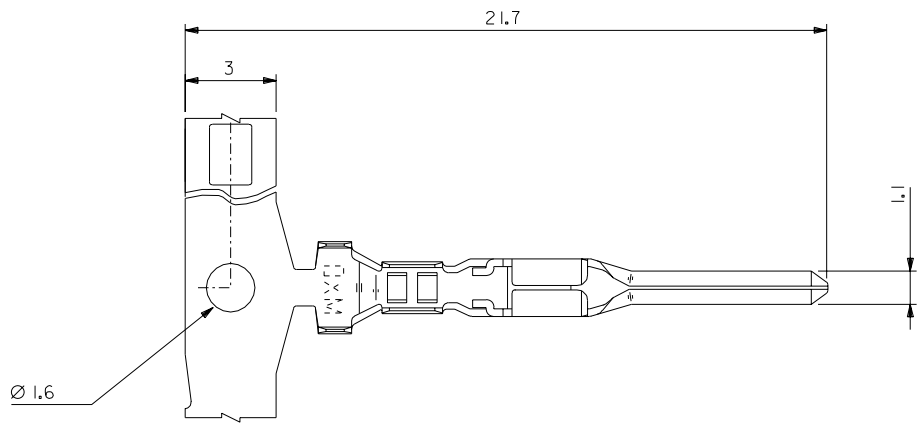
D

V

C

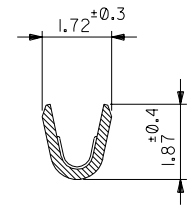
B

DO NOT SCALE DRAWING

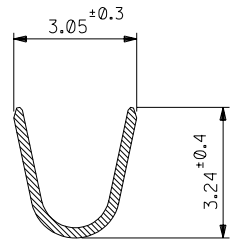


注記  
NOTES

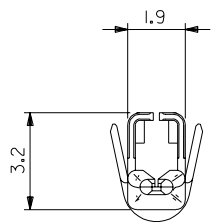
1. 使用材料 : リン青銅, 錫メッキ (t=0.254)  
MATERIAL : PRE-TINNED PHOSPHOR BRONZE (t=0.254)
2. 適合ハウジング : 51346シリーズ  
APPLICABLE HOUSING : 51346 SERIES



SECT. X-X



SECT. Y-Y



56279-8100	バラ状 LOOSE
56279-8000	連鎖状 CHAIN
MATERIAL NO.	端子形状 FORM

64 NO. DRAWN: CHK: APPR:	63 NO. DRAWN: CHK: APPR:	62 NO. DRAWN: CHK: APPR:	61 NO. DRAWN: CHK: APPR:	RELEASED 60 NO. J2003-2363 DRAWN: H.II '03/03/14 CHK: K.ASAKAWA APPR: T.YAMAGUCHI	MATERIAL 材料	注記参照 SEE NOTES	GENERAL TOLERANCES: (UNLESS SPECIFIED) 一般公差	SCALE	DESIGN UNITS	20° PROJECTION	DIMENSIONS: <input type="checkbox"/> mm <input type="checkbox"/> INCH <input checked="" type="checkbox"/> mm ONLY	SHT	REV
					FINISH 仕上げ	//		10 UNDER 未満	±0.2			DRAWN BY & DATE H.II '03/03/14	TITLE: 3.3 mm WIRE TO WIRE CONN. PLUG TERMINAL
					WIRE RANGE 適用電線範囲	AWG #22 - #26	10 OVER 30 UNDER 以上 未満	±0.25	CHECKED BY & DATE K.ASAKAWA '03/03/14				
					INS. RANGE 被覆外径	Ø 1.7MAX.	30 OVER 以上	±0.3	APPROVED BY & DATE T.YAMAGUCHI '03/03/14				
					ANGLE	角度	±3°	CAD FILENAME SD56279001.S01		MATERIAL NO. SEE CHART	DRAWING NO. SD-56279-001	SHEET NO. 1 OF 1	SIZE B

THIS DRAWING CONTAINS INFORMATION THAT IS PROPRIETARY TO MOLEX INCORPORATED AND SHOULD NOT BE USED WITHOUT WRITTEN PERMISSION.