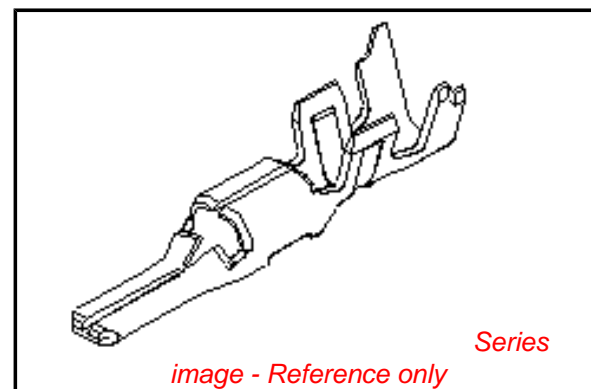


PLEASE CHECK WWW.MOLEX.COM FOR LATEST PART INFORMATION

Part Number: **0500388000**
Status: **Active**
Overview: splash_proof
Description: 2.50mm (.098") Pitch Splash Proof Crimp Terminal, 50038, Reel

Documents:

Drawing (PDF)	Product Specification PS-52117-004 (PDF)
Product Specification PS-52048-001 (PDF)	Product Specification PS-52117-005 (PDF)
Product Specification PS-52117-001 (PDF)	Product Specification PS-52117-006 (PDF)
Product Specification PS-52117-002 (PDF)	Product Specification PS-52117-007 (PDF)
Product Specification PS-52117-003 (PDF)	RoHS Certificate of Compliance (PDF)



General

Product Family	Crimp Terminals
Series	50038
Crimp Quality Equipment	Yes
Overview	splash_proof
Product Name	Splash Proof

Physical

Gender	Male
Material - Metal	Phosphor Bronze
Material - Plating Mating	Tin
Material - Plating Termination	Tin
Packaging Type	Reel
Plating min: Mating (µin)	36
Plating min: Mating (µm)	0.90
Plating min: Termination (µin)	36
Plating min: Termination (µm)	0.90
Termination Interface: Style	Crimp or Compression
Wire Insulation Diameter	1.80-1.90mm (.071-.075")
Wire Size AWG	20, 22
Wire Size mm²	N/A

Material Info

Reference - Drawing Numbers

Packaging Specification	PK-50038-001, SPK-50038-001
Product Specification	PS-52048-001, PS-52117-001, PS-52117-002, PS-52117-003, PS-52117-004, PS-52117-005, PS-52117-006, PS-52117-007, RPS-52048-001
Sales Drawing	SD-50038-8*00

EU RoHS

ELV and RoHS Compliant
REACH SVHC Contains SVHC: No
Halogen-Free Status

China RoHS



Need more information on product environmental compliance?

Email productcompliance@molex.com
 For a multiple part number RoHS Certificate of Compliance, [click here](#)

Please visit the [Contact Us](#) section for any non-product compliance questions.

Search Parts in this Series

50038Series

Mates With

50039

Use With

52116

Application Tooling | FAQ

Tooling specifications and manuals are found by selecting the products below. Crimp Height Specifications are then contained in the Application Tooling Specification document.

Global

Description	Product #
Fine Adjust™ Applicator for 2.50mm (.098") Pitch Splash Proof Crimp Terminal, 20-22 AWG	0639000100

T2 Terminator 0639100100
Tooling Die for
2.50mm (.098") Pitch
Splash Proof Crimp
Terminal, 20-22
AWG

Japan

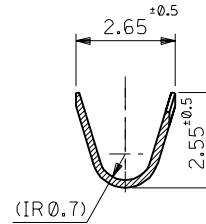
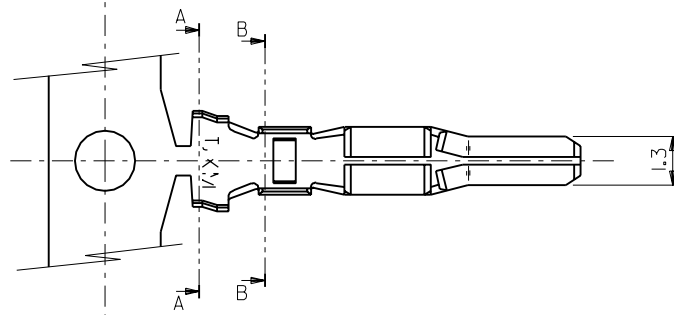
Description **Product #**

Applicator for M211A 0570843000
Bench Press, for
50038 and 50039
Crimp Terminal

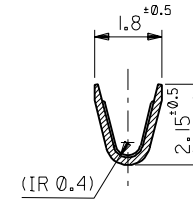
This document was generated on 06/01/2010

PLEASE CHECK WWW.MOLEX.COM FOR LATEST PART INFORMATION

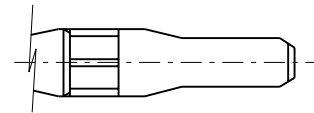
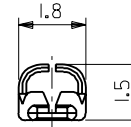
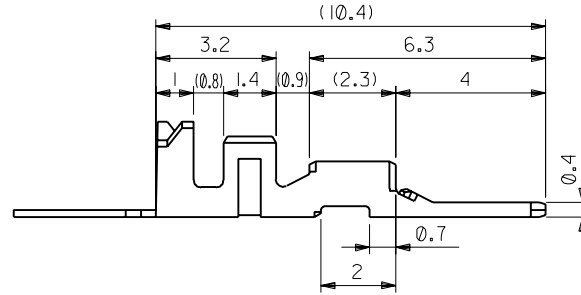
DWG. NO.
SD-50038-8*00



断面 A-A
SECT.A-A



断面 B-B
SECT.B-B



注記
NOTICE

- 適合ハウジングアッセンブリ:
52116-02**
52116-03**
52116-04**
- APPLICABLE HOUSING ASSEMBLY:
52116-02**
52116-03**
52116-04**
- 嵌合相手: 50039-8*00
- MATE: 50039-8*00

50038-8100	バラ状 LOOSE
50038-8000	連鎖状 CHAIN
ENG NO.	形状 FORM

角度 ANGLE		±3°			材料 MATERIAL リン青銅、錫メッキ PHOSPHER BRONZE PRE-TINNED PLATE		MOLEX-JAPAN CO.,LTD. 日本モレックス株式会社
30以上 OVER		+0.3			仕上げ FINISH		
10以上 30未満 OVER UNDER		+0.25			適用電線範囲 WIRE RANGE		TITLE 名称
10未満 UNDER		+0.2			被覆外径 INS. RANGE		2.5 SPLASH PROOF CONN.CRIMP PIN
一般公差 GENERAL TOLERANCES			D	REDRAWN	M.A. M.S.	DRAWN BY 96/06/00 CHK'D BY M.ASAOKA M.SAKANO	DWG. NO.
			記号 LTR	変更内容 REVISION RECORD	DR. CHK.	日付 DATE	SD-50038-8*00
					APP'D BY M.ENOMOTO		REV D
					尺度 SCALE 8:1		

THIS DRAWING CONTAINS INFORMATION THAT IS PROPRIETARY TO MOLEX(JAPAN) AND SHOULD NOT BE USED WITHOUT WRITTEN PERMISSION
本図面は日本モレックス(株)の所有する情報を含むもので 当社の許可なく複製を禁止する。

EN-01C(032)MXJ-32

DIMENSIONS IN METRIC DO NOT SCALE DRAWING

50038.S20