

PLEASE CHECK WWW.MOLEX.COM FOR LATEST PART INFORMATION

Part Number: [0490340315](#)
Status: **Active**
Description: 3.80mm (.150") Pitch Wire-to-Wire Female Housing, 3 Circuits, for 090-II Terminal, with TPA, Gray

Documents:

[Drawing \(PDF\)](#) [RoHS Certificate of Compliance \(PDF\)](#)
[Product Specification PS-49033-001 \(PDF\)](#)

General

Product Family	Crimp Housings
Series	49034
Product Name	N/A

Physical

Circuits (maximum)	3
Color - Resin	Black, Gray
Gender	Female
Glow-Wire Compliant	No
Lock to Mating Part	Yes
Material - Resin	Polyester
Number of Rows	1
Packaging Type	Bag
Panel Mount	No
Pitch - Mating Interface (in)	0.150 In
Pitch - Mating Interface (mm)	3.80 mm
Polarized to Mating Part	Yes
Stackable	No
Temperature Range - Operating	-40°C to +80°C

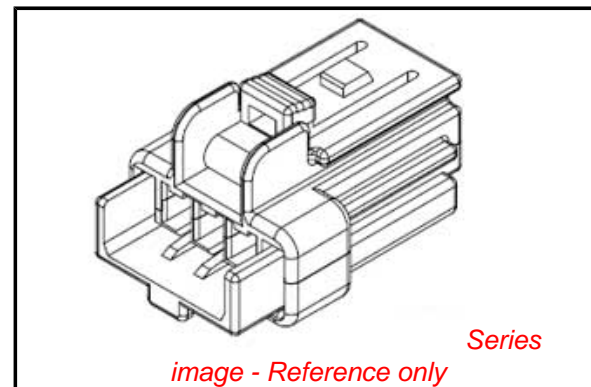
Electrical

Current - Maximum per Contact	10A
-------------------------------	-----

Material Info

Reference - Drawing Numbers

Product Specification	PS-49033-001
Sales Drawing	SD-49034-001



EU RoHS

ELV and RoHS Compliant
REACH SVHC
 Not Reviewed
Halogen-Free Status

China RoHS



Need more information on product environmental compliance?

Email productcompliance@molex.com
 For a multiple part number RoHS Certificate of Compliance, [click here](#)

Please visit the [Contact Us](#) section for any non-product compliance questions.

Search Parts in this Series

[49034Series](#)

Mates With

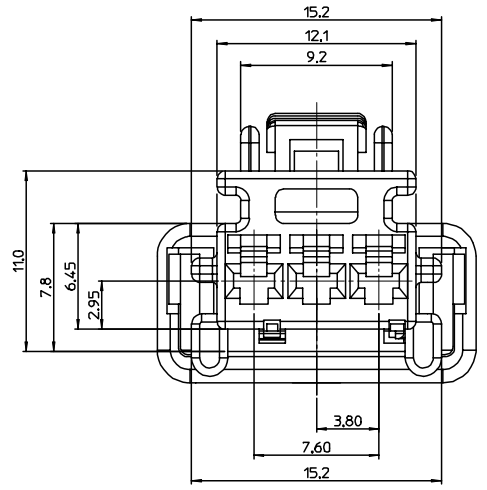
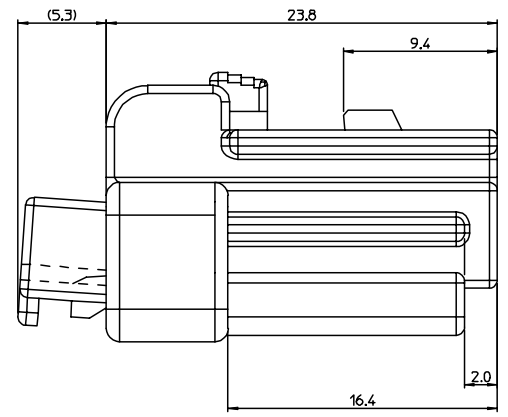
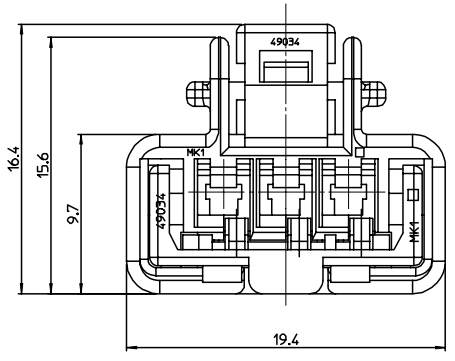
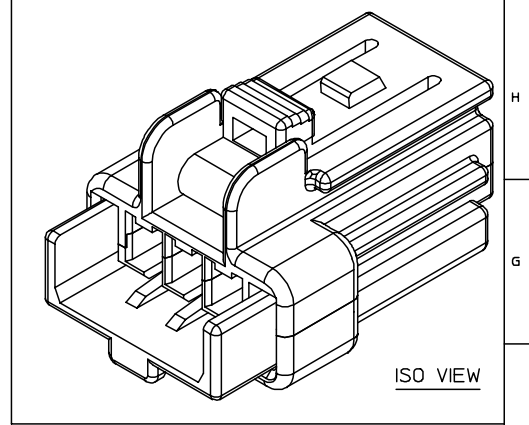
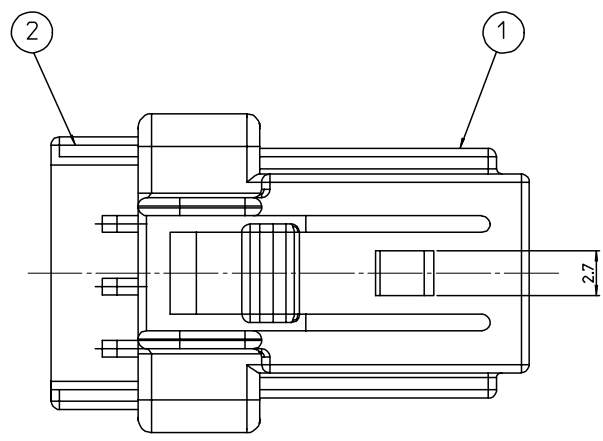
[49033-0315](#)

Use With

[35421](#)

DWG. NO. SD-49034-001
 PROJECT NO.
 SIMILAR ITEM
 DO NOT SCALE DRAWING
 DIMENSION IN METRIC

12 11 10 9 8 7 6 5 4 3 2 1



<NOTE>

1. MATERIAL : SEE TABLE
2. MATING CONNECTOR : 49033-0310
3. APPLICABLE TERMINAL : 35421-6*02

NO.	PART NO.	PART NAME	MATERIAL	COLOR
1	(A) 49034-0390	.090 F/HSG 3P	POLYESTER	NATURAL
	(B) 49034-0395	.090 F/HSG 3P	POLYESTER	GRAY
2	(C) 49034-0381	.090 F/TPA 3P	POLYESTER	BLACK

MATERIAL NO.		ENG. NO.	REMARKS	DIMENSIONS:		SHT	REV.	
490340310		49034-0310	(A) + (C)	<input type="checkbox"/> INCH	<input type="checkbox"/> MM			
490340315		49034-0315	(B) + (C)	<input type="checkbox"/> INCH	<input type="checkbox"/> MM			
NEW RELEASED ECN NO. KOR2004-0092 DRAWN:JMKR 04/01/27 CHK:K.YOON 04/01/27 APPROVEE	QUALITY SYMBOLS	GENERAL TOLERANCES (UNLESS SPECIFIED)		SCALE	DESIGN UNITS	THIRD ANGLE PROJECTION		
	MAJOR CRITICAL	m/m		5:1	<input checked="" type="checkbox"/> m/m	<input type="checkbox"/> INCH	TITLE:	
		4 PLACES	±0.1	±	DRAWN BY & DATE		.090-II W/W FEMALE HSG ASS'Y 3P	
		3 PLACES	±0.1	±	SJKM 03/12/10		DRAWING NO.	
		2 PLACES	±0.20	±	CHECKED BY & DATE		SD-49034-001	
1 PLACE	±0.30	±	APPROVED BY & DATE		SHEET NO.			
ANGULAR	± 1 °		C.WLEE 03/12/10		1 OF 1			
REV	DRAFT WHERE APPLICABLE MUST REMAIN WITHIN DIMENSIONS		CAD FILENAME		MATERIAL NO.		SIZE	
A			SD49034.M		SEE TABLE		C	
				THIS DRAWING CONTAINS INFORMATION THAT IS PROPRIETARY TO MOLEX INCORPORATED AND SHOULD NOT BE USED WITHOUT WRITTEN PERMISSION.				
				KOREA				

12 11 10 9 8 7 6 5 4 3 2 1

H
 G
 F
 E
 D
 C
 B
 A