

PLEASE CHECK WWW.MOLEX.COM FOR LATEST PART INFORMATION

Part Number: **0490340310**
Status: **Active**
Description: 3.80mm (.150") Pitch Wire-to-Wire Female Housing, 3 Circuits, for 090-II Terminal, with TPA

Documents:

[Drawing \(PDF\)](#) [RoHS Certificate of Compliance \(PDF\)](#)
[Product Specification PS-49033-001 \(PDF\)](#)

General

Product Family	Crimp Housings
Series	49034
Product Name	N/A

Physical

Circuits (maximum)	3
Gender	Female
Glow-Wire Compliant	No
Lock to Mating Part	Yes
Number of Rows	1
Packaging Type	Bag
Panel Mount	No
Pitch - Mating Interface (in)	0.150 In
Pitch - Mating Interface (mm)	3.80 mm
Polarized to Mating Part	Yes
Stackable	No
Temperature Range - Operating	-40°C to +80°C

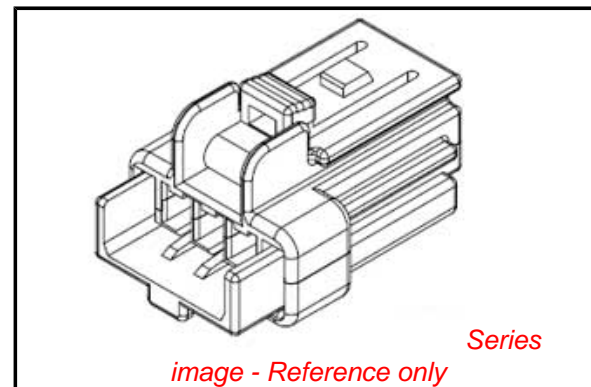
Electrical

Current - Maximum per Contact	10A
-------------------------------	-----

Material Info

Reference - Drawing Numbers

Product Specification	PS-49033-001
Sales Drawing	SD-49034-001



EU RoHS

ELV and RoHS Compliant
REACH SVHC
 Not Reviewed
Halogen-Free Status

China RoHS



Need more information on product environmental compliance?

Email productcompliance@molex.com
 For a multiple part number RoHS Certificate of Compliance, [click here](#)

Please visit the [Contact Us](#) section for any non-product compliance questions.

Search Parts in this Series

49034Series

Mates With

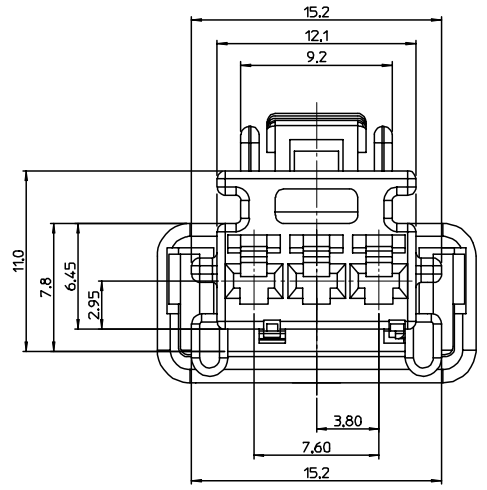
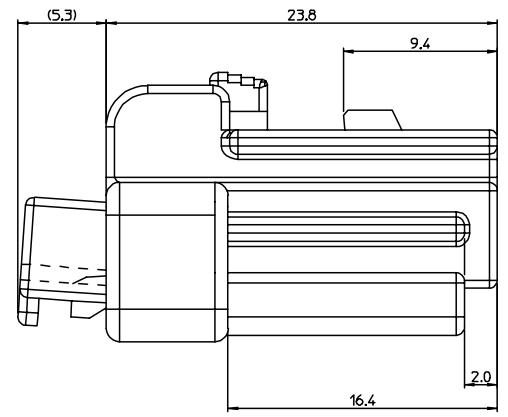
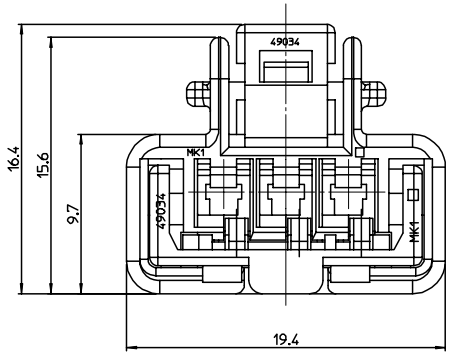
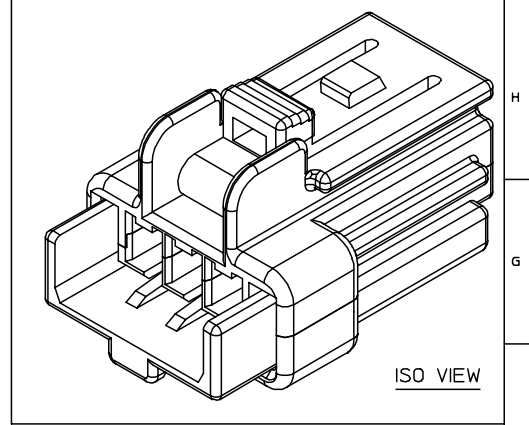
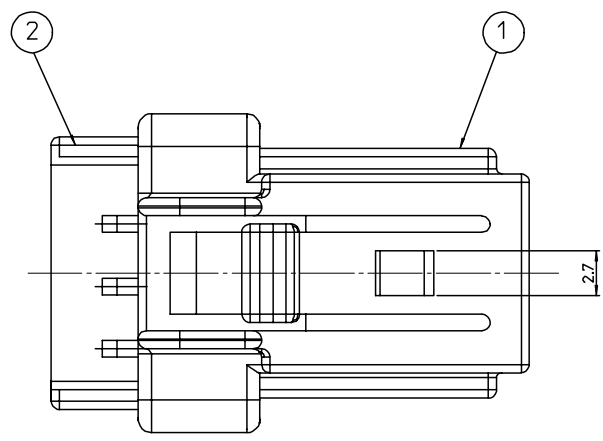
49033-0310

Use With

35421

DWG. NO. SD-49034-001
 PROJECT NO.
 SIMILAR ITEM
 DO NOT SCALE DRAWING
 DIMENSION IN METRIC

12 11 10 9 8 7 6 5 4 3 2 1



<NOTE>

1. MATERIAL : SEE TABLE
2. MATING CONNECTOR : 49033-0310
3. APPLICABLE TERMINAL : 35421-6*02

NO.	PART NO.	PART NAME	MATERIAL	COLOR
1	(A) 49034-0390	.090 F/HSG 3P	POLYESTER	NATURAL
	(B) 49034-0395	.090 F/HSG 3P	POLYESTER	GRAY
2	(C) 49034-0381	.090 F/TPA 3P	POLYESTER	BLACK

MATERIAL NO.	ENG. NO.	REMARKS	DIMENSIONS:		SHT	REV.
490340310	49034-0310	(A) + (C)	<input type="checkbox"/> INCH	<input type="checkbox"/> MM		
490340315	49034-0315	(B) + (C)	<input type="checkbox"/> INCH	<input type="checkbox"/> MM		
NEW RELEASED ECN NO. KOR2004-0092 DRAWN:JMKM 04/01/27 CHK:K.C.YOON 04/01/27 APPROVEE	QUALITY SYMBOLS MAJOR CRITICAL	GENERAL TOLERANCES (UNLESS SPECIFIED)	SCALE 5:1	DESIGN UNITS <input checked="" type="checkbox"/> MM <input type="checkbox"/> INCH	THIRD ANGLE PROJECTION	TITLE
						.090-II W/W FEMALE HSG ASS'Y 3P
						APPROVED BY & DATE
						C.W.LEE 03/12/10
						CAD FILENAME
						SD\9034\M1
						MATERIAL NO. SEE TABLE
						DRAWING NO. SD-49034-001
						SHEET NO. 1 OF 1
						SIZE C
						KOREA MX-A2

12 11 10 9 8 7 6 5 4 3 2 1