

**PLEASE CHECK WWW.MOLEX.COM FOR LATEST PART INFORMATION**

**Part Number:** **0480062111**  
**Status:** **Active**  
**Description:** 1.27mm (.050") Pitch DDR DIMM Socket, Vertical, Brass Latch, Blue Housing, Phosphor Bronze Terminals, Single Key, with Beveled Metal Pins, 2.5V Voltage Key, 2.79mm (.110") Tail Length, Gold (Au) Flash Plating, 184 Circuits, Leadfree

**Documents:**

[3D Model](#) [Product Specification PS-48006-002 \(PDF\)](#)  
[Drawing \(PDF\)](#) [RoHS Certificate of Compliance \(PDF\)](#)

**General**

Product Family	Memory Module Sockets
Series	48006
Component Type	Socket
JEDEC Outline	MO-206
Product Name	DDR DIMM

**Physical**

Circuits (Loaded)	184
Durability (mating cycles max)	25
Entry Angle	Vertical (Top Entry)
Keying to Mating Part	Yes
Material - Metal	Phosphor Bronze
Material - Plating Mating	Gold
Material - Plating Termination	Tin
PC Tail Length (in)	0.110 In
PC Tail Length (mm)	2.79 mm
PCB Retention	Yes
PCB Thickness Recommended (in)	0.062 In
PCB Thickness Recommended (mm)	1.60 mm
Packaging Type	Tray
Pitch - Mating Interface (in)	0.050 In
Pitch - Mating Interface (mm)	1.27 mm
Temperature Range - Operating	-40°C to +85°C
Termination Interface: Style	Through Hole

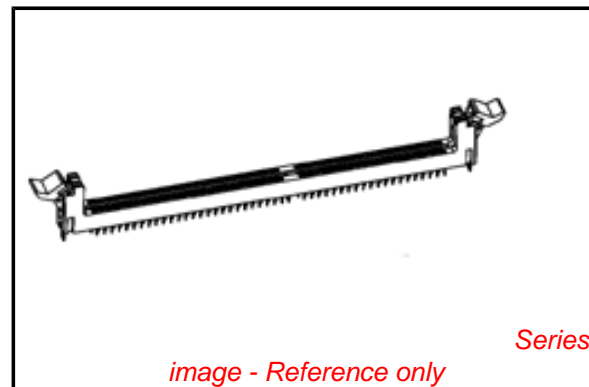
**Electrical**

Current - Maximum per Contact	0.5A
Voltage - Maximum	30V
Voltage Key	2.5

**Material Info**

**Reference - Drawing Numbers**

Product Specification	PS-48006-002
Sales Drawing	SD-48006-002



**EU RoHS**

**ELV and RoHS  
Compliant**  
**REACH SVHC**  
 Not Reviewed  
**Halogen-Free  
Status**

**China RoHS**



**Not Reviewed**

**Need more information on product  
environmental compliance?**

Email [productcompliance@molex.com](mailto:productcompliance@molex.com)  
 For a multiple part number RoHS Certificate of Compliance, [click here](#)

Please visit the [Contact Us](#) section for any non-product compliance questions.

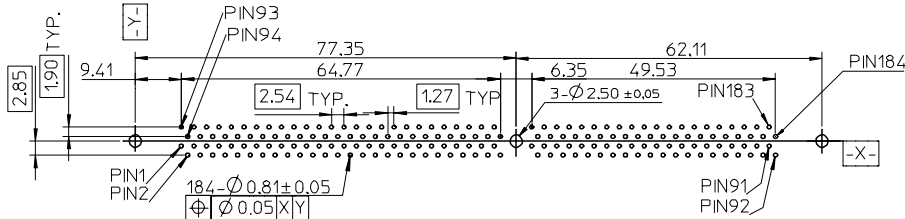
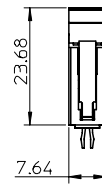
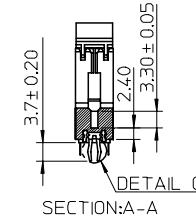
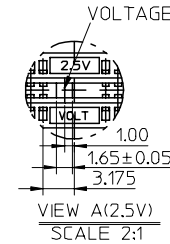
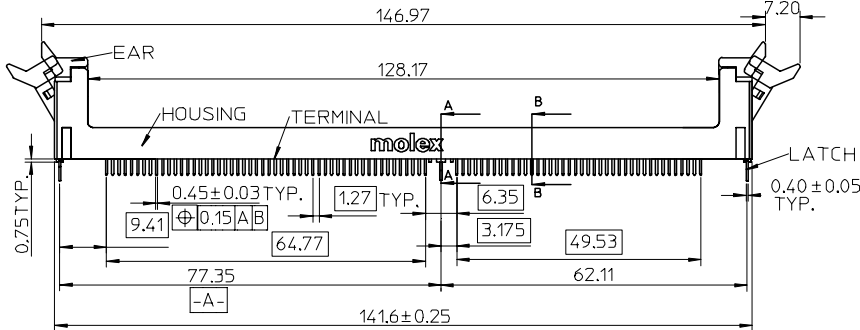
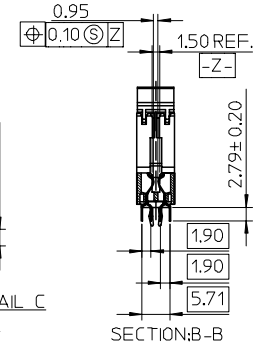
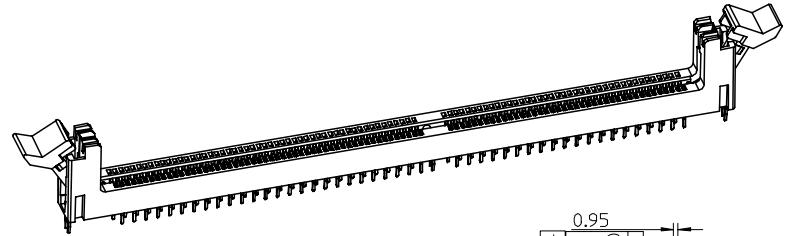
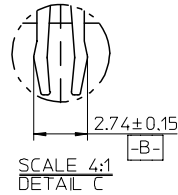
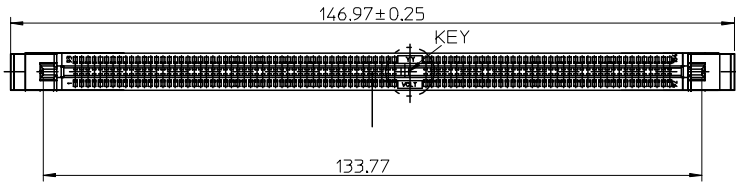
**Search Parts in this Series**

48006Series

**Mates With**

JEDEC MO-206 modules

10 9 8 7 6 5 4 3 2 1



RECOMMENDED PCB HOLE LAYOUT  
(TOLERANCE ±0.05MM)

- NOTES:
- MATERIALS: HOUSING-POLYAMIDE, GLASS FIBER FILLED, UL94V-0, COLOR: SEE TABLE.  
EAR-POLYAMIDE, GLASS FIBER FILLED, UL94V-0, COLOR: WHITE.  
TERMINAL-1, PHOSPHOR BRONZE  
2, BRASS  
LATCH-BRASS
  - FINISHES: TERMINAL:  
GOLD PLATED IN CONTACT AREA (SEE TABLE),  
TIN ALLOY IN THE SOLDER AREA;  
THICKNESS=150 MICRONCH MINIMUM,  
UNDER PLATED: NICKEL(NI)  
THICKNESS=50 MICRONCH MINIMUM,  
LATCH:  
TIN PLATED ALL OVER,  
THICKNESS=100 MICRONCH MINIMUM,  
UNDER PLATED: NICKEL(NI)  
THICKNESS=50 MICRONCH MINIMUM,  
3. RECOMMENDED PCB THICKNESS: 1.60±0.05MM  
4. PRODUCT SPECIFICATION: REFER TO PS-48006-002  
5. TEST SUMMARY: REFER TO TS-48006-002  
6. PACKAGING: REFER TO PK-48006-002  
7. LEAD-FREE AND ROHS COMPLIANCE

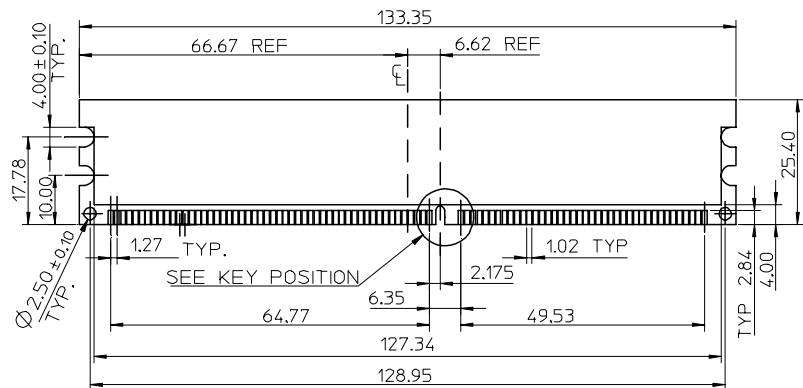
MOLEX P/N	CONTACT PLATING	MATERIAL	POWER SUPPLY	COLOR
48006-1102	15 MICRONCH	PHOSPHOR BRONZE	2.5V	BLACK
48006-2102	15 MICRONCH			BLUE 2945C
48006-5101	GOLD FLASH			YELLOW 115U
48006-4101	GOLD FLASH			LAVENDER 2736U
48006-3101	GOLD FLASH			GREEN 3258U-3268U
48006-2101	GOLD FLASH			BLUE 2945C
48006-1101	GOLD FLASH	BRASS	2.5V	BLACK
48006-2112	15 MICRONCH			BLUE 2945C
48006-1112	15 MICRONCH			BLACK
48006-5111	GOLD FLASH			YELLOW 115U
48006-4111	GOLD FLASH			LAVENDER 2736U
48006-3111	GOLD FLASH			GREEN 3258U-3268U
48006-2111	GOLD FLASH	BLUE 2945C		
48006-1111	GOLD FLASH	BLACK		

L/F FOR 48006	DESCRIPTION
EC NO: SH2005-0376	REV
DRWN: JCHEN12	2005/08/02
CHKD: CHKD:	2005/08/04
APPR: WWSCHANG	2005/08/04

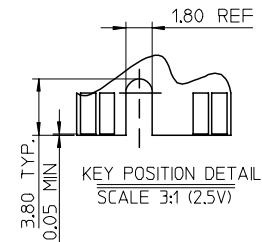
QUALITY SYMBOLS	GENERAL TOLERANCES (UNLESS SPECIFIED)
▽=0	
▽=0	

GENERAL TOLERANCES (UNLESS SPECIFIED)	DIMENSION STYLE	SCALE	DESIGN UNITS	THIRD ANGLE PROJECTION
	MM ONLY	1:1	METRIC	
4 PLACES ± --- ± ---	DRAWN BY DATE	TITLE		
3 PLACES ± --- ± ---	JIANG 2005/04/13	1.27MM PITCH DDR DIMM		
2 PLACES ± 0.25 ± ---	CHECKED BY DATE	SINGLE KEY 2.5V 184CKTS		
1 PLACE ± 0.25 ± ---	ERIC KAO 2005/04/13	(LEAD-FREE VERSION)		
ANGULAR ± 3°	APPROVED BY DATE	MOLEX MOLEX INCORPORATED		
	WCHANG 2005/04/13	MATERIAL NO. DOCUMENT NO. SHEET NO.		
		SEE TABLE SD-48006-002 1 OF 2		

DRAFT WHERE APPLICABLE MUST REMAIN WITHIN DIMENSIONS		THIS DRAWING CONTAINS INFORMATION THAT IS PROPRIETARY TO MOLEX INCORPORATED AND SHOULD NOT BE USED WITHOUT WRITTEN PERMISSION	
--	--	---	--



PLUG COMPONENT:DDR 184P FUNC. CARD



NOTE:  
SEE JEDEC SPEC M0-206 FOR COMPLETE MODULE  
DETAILS 1.27±0.10 THICK ACROSS CONTACT RADS

SEE SHEET 1 EC NO: SH2005-0376 DRWN: JCHEN12 CHKD: 2005/08/04 APPR: WWSCHANG 2005/08/04	QUALITY SYMBOLS	GENERAL TOLERANCES (UNLESS SPECIFIED)	DIMENSION STYLE	SCALE	DESIGN UNITS	THIRD ANGLE PROJECTION																		
	$\nabla=0$ $\nabla=0$	<table border="1"> <thead> <tr> <th></th> <th>mm</th> <th>INCH</th> </tr> </thead> <tbody> <tr> <td>4 PLACES</td> <td>± ---</td> <td>± ---</td> </tr> <tr> <td>3 PLACES</td> <td>± ---</td> <td>± ---</td> </tr> <tr> <td>2 PLACES</td> <td>± 0.25</td> <td>± ---</td> </tr> <tr> <td>1 PLACE</td> <td>± 0.25</td> <td>± ---</td> </tr> <tr> <td colspan="3">ANGULAR ± 3 °</td> </tr> </tbody> </table>		mm	INCH	4 PLACES	± ---	± ---	3 PLACES	± ---	± ---	2 PLACES	± 0.25	± ---	1 PLACE	± 0.25	± ---	ANGULAR ± 3 °			MM ONLY	1:1	METRIC	
		mm	INCH																					
	4 PLACES	± ---	± ---																					
3 PLACES	± ---	± ---																						
2 PLACES	± 0.25	± ---																						
1 PLACE	± 0.25	± ---																						
ANGULAR ± 3 °																								
DESCRIPTION	TITLE	DRAWN BY	DATE	MATERIAL NO.																				
REV	1.27MM PITCH DDR DIMM SINGLE KEY 2.5V 184CKTS (LEAD-FREE VERSION)	JIANG	2005/04/13	DOCUMENT NO.																				
		CHECKED BY	DATE	SHEET NO.																				
		ERIC KAO	2005/04/13	2 OF 2																				
		APPROVED BY	DATE	MATERIAL NO.																				
		WSCHANG	2005/04/13	DOCUMENT NO.																				
				SD-48006-002																				
		DRAFT WHERE APPLICABLE MUST REMAIN WITHIN DIMENSIONS		SIZE																				
				A3																				
		THIS DRAWING CONTAINS INFORMATION THAT IS PROPRIETARY TO MOLEX INCORPORATED AND SHOULD NOT BE USED WITHOUT WRITTEN PERMISSION																						