

**PLEASE CHECK WWW.MOLEX.COM FOR LATEST PART INFORMATION**

**Part Number:** [0190750014](#)  
**Status:** **Active**  
**Description:** InsulKrimp™ Star Ring Tongue Terminal for 14-16 AWG Wire, Stud Size 6, Mylar Tape Carrier

**Documents:**

[Drawing \(PDF\)](#) [RoHS Certificate of Compliance \(PDF\)](#)  
[Product Specification PS-19902-009 \(PDF\)](#)

**Agency Certification**

CSA LR18689  
 UL E32244

**General**

Product Family Ring and Spade Terminals  
 Series [19075](#)  
 Crimp Quality Equipment Yes  
 Mil-Spec N/A  
 Product Name InsulKrimp™  
 Type Ring

**Physical**

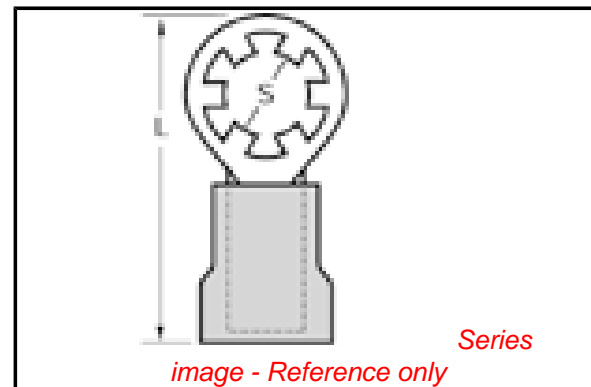
Barrel Type Closed  
 Color - Resin Natural  
 Flammability 94V-2  
 Insulation PVC  
 Material - Plating Mating Tin  
 Packaging Type Adhesive Tape on Reel  
 Stud Size 6 (M3.5)  
 Termination Interface: Style Crimp or Compression  
 Wire Insulation Diameter 4.45mm (.175")  
 Wire Size AWG 14, 16  
 Wire Size mm<sup>2</sup> 1.00 - 2.60

**Material Info**

Old Part Number SRB-229-06XT

**Reference - Drawing Numbers**

Product Specification PS-19902-009  
 Sales Drawing CD2115



**EU RoHS**

**ELV and RoHS Compliant**  
**REACH SVHC**  
 Not Reviewed  
**Halogen-Free Status**  
 Not Reviewed

**China RoHS**



**Need more information on product environmental compliance?**

Email [productcompliance@molex.com](mailto:productcompliance@molex.com)  
 For a multiple part number RoHS Certificate of Compliance, [click here](#)

Please visit the [Contact Us](#) section for any non-product compliance questions.

**Search Parts in this Series**

[19075Series](#)

**Application Tooling | [FAQ](#)**

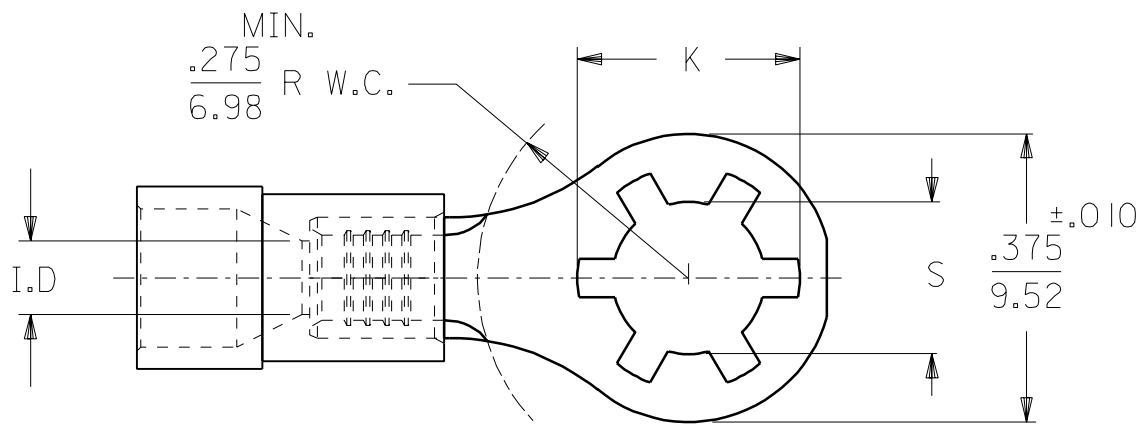
*Tooling specifications and manuals are found by selecting the products below. Crimp Height Specifications are then contained in the Application Tooling Specification document.*

**Global**

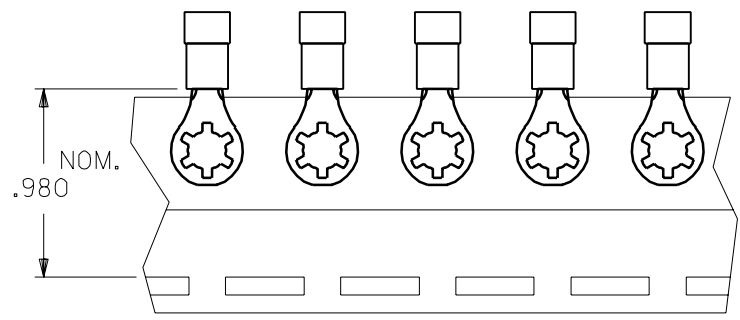
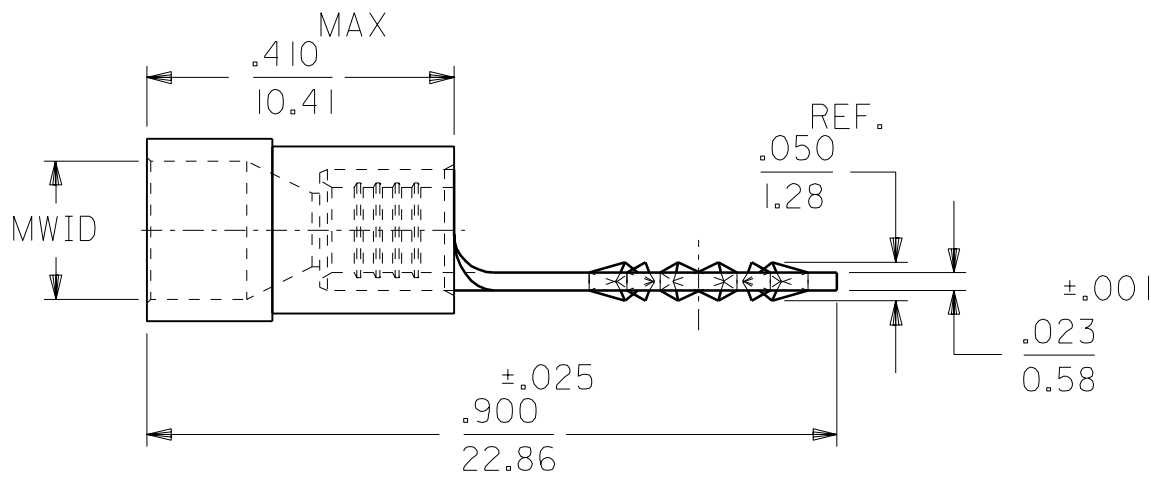
Description	Product #
Crimp Dies for MTA-100 Tape Applicator used in 3BF Press, MTA-105 Tape Applicator used in TM-2000™ Press, and ATP-301 Air Crimping Press for Mylar Tape Mounted Terminals	<a href="#">0192880135</a>
Mini-Mac™ Applicator for InsulKrimp™ and	<a href="#">0638852900</a>

This document was generated on 03/18/2010

**PLEASE CHECK [WWW.MOLEX.COM](http://WWW.MOLEX.COM) FOR LATEST PART INFORMATION**



STUD SIZE	±.007 "S" DIA.	REF. "K" DIA.
#6	.146	.236
#8	.173	.263
#10	.198	.288



TO ORDER PARTS ON TAPE ADD A "T" TO THE END OF THE PART NUMBER

INSULATION MATERIAL: PVC  
 INSULATION COLOR: SEE TABLE  
 TERMINAL MATERIAL: SEE CHART  
 TERMINAL PLATING: ELECTRO-TIN

MWID=MAXIMUM WIRE INSULATION DIAMETER

PART NO. BRASS	PART NO. STEEL	WIRE RANGE AWG / MM <sup>2</sup>	INSULATION COLOR	I.D. MIN.	MWID *
SRA-229-	SRA-S-229-	22-18/.25-1.3	RED	.062/1.57	.145/3.68
SRB-229-	SRB-S-229-	16-14/1.0-2.6	BLUE	.086/2.18	.175/4.42

A	SEE DCN# 764 10/07/91 RCM
LTR.	REVISIONS

REVISE ONLY ON CAD SYSTEM  
 TITLE  
 INSULKRIMP  
 STAR RING TONGUE  
 TERMINALS

**CUSTOMER  
DRAWING**

DRWG. BY RCM  
 CHK'D. BY JM  
 APP'D. BY FP  
 SCALE NO:NE

**molex ETC INC.**  
 PINELLAS PARK, FLA. 34665 U.S.A.

PART NO. SEE TABLE  
 FILE NAME CD2115

SHEET NO. DATE 09/05/91  
 DRWG. NO. CD-2115

THIS DRAWING CONTAINS INFORMATION THAT IS PROPRIETARY TO MOLEX-ETC INC. AND SHOULD NOT BE USED WITHOUT WRITTEN PERMISSION.

DIV. SIZE A