

PLEASE CHECK WWW.MOLEX.COM FOR LATEST PART INFORMATION

Part Number: [0190750001](#)
Status: **Active**
Description: InsulKrimp™ Star Ring Tongue Terminal for 18-22 AWG Wire, Stud Size 6

Documents:

[Drawing \(PDF\)](#) [RoHS Certificate of Compliance \(PDF\)](#)
[Product Specification PS-19902-009 \(PDF\)](#)

Agency Certification

CSA LR18689
 UL E32244

General

Product Family Ring and Spade Terminals
 Series [19075](#)
 Crimp Quality Equipment Yes
 Mil-Spec N/A
 Product Name InsulKrimp™
 Type Ring

Physical

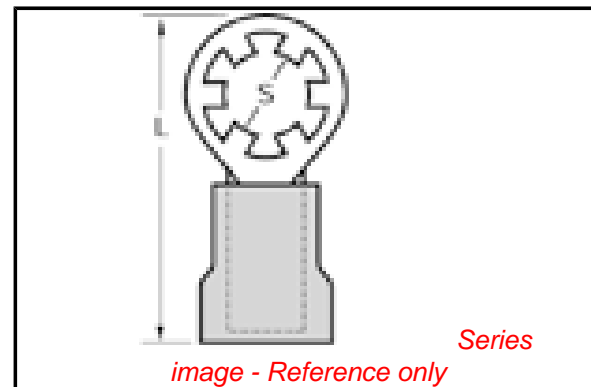
Barrel Type Closed
 Flammability 94V-2
 Insulation PVC
 Material - Plating Mating Tin
 Packaging Type Bag
 Stud Size 6 (M3.5)
 Wire Insulation Diameter 3.68mm (.145")
 Wire Size AWG 18, 20, 22
 Wire Size mm² 0.25 - 1.30

Material Info

Old Part Number SRA-229-06X

Reference - Drawing Numbers

Product Specification PS-19902-009
 Sales Drawing CD2115



EU RoHS

ELV and RoHS Compliant
REACH SVHC
 Not Reviewed
Halogen-Free Status
Not Reviewed

China RoHS



Need more information on product environmental compliance?

Email productcompliance@molex.com
 For a multiple part number RoHS Certificate of Compliance, [click here](#)

Please visit the [Contact Us](#) section for any non-product compliance questions.

Search Parts in this Series

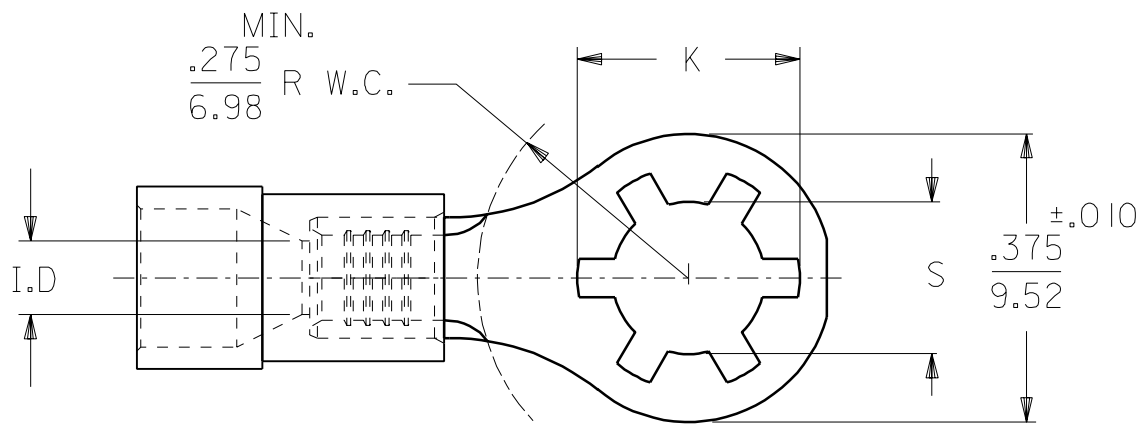
[19075Series](#)

Application Tooling | [FAQ](#)

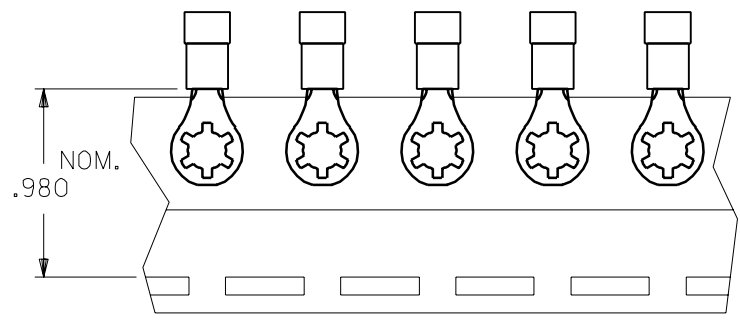
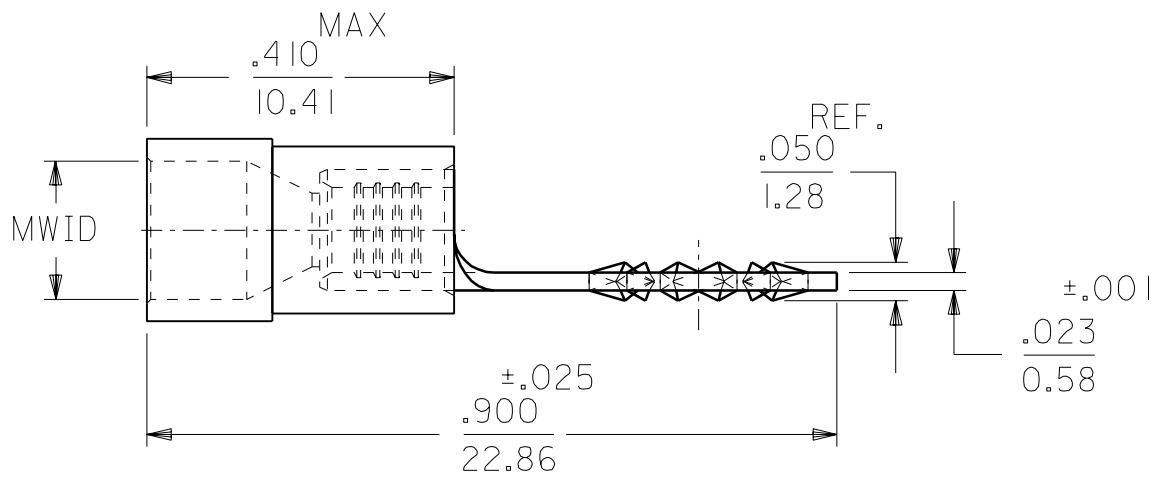
Tooling specifications and manuals are found by selecting the products below. Crimp Height Specifications are then contained in the Application Tooling Specification document.

Global

Description	Product #
Hand Crimp Tool	0640010500
Crimp Head for the AT-200™ Pneumatic Hand Tool	0640050500



STUD SIZE	±.007 "S" DIA.	REF. "K" DIA.
#6	.146	.236
#8	.173	.263
#10	.198	.288



TO ORDER PARTS ON TAPE ADD A "T" TO THE END OF THE PART NUMBER

INSULATION MATERIAL: PVC
 INSULATION COLOR: SEE TABLE
 TERMINAL MATERIAL: SEE CHART
 TERMINAL PLATING: ELECTRO-TIN

MWID=MAXIMUM WIRE INSULATION DIAMETER

PART NO. BRASS	PART NO. STEEL	WIRE RANGE AWG / MM ²	INSULATION COLOR	I.D. MIN.	MWID *
SRA-229-	SRA-S-229-	22-18/.25-1.3	RED	.062/1.57	.145/3.68
SRB-229-	SRB-S-229-	16-14/1.0-2.6	BLUE	.086/2.18	.175/4.42

A	SEE DCN# 764 10/07/91 RCM
LTR.	REVISIONS

REVISE ONLY ON CAD SYSTEM
 TITLE
 INSULKRIMP
 STAR RING TONGUE
 TERMINALS

**CUSTOMER
DRAWING**

DRWG. BY RCM
 CHK'D. BY JM
 APP'D. BY FP
 SCALE NO:NE

molex ETC INC.
 PINELLAS PARK, FLA. 34665 U.S.A.

PART NO. SEE TABLE
 FILE NAME CD2115

SHEET NO. DATE 09/05/91
 DRWG. NO. CD-2115

THIS DRAWING CONTAINS INFORMATION THAT IS PROPRIETARY TO MOLEX-ETC INC. AND SHOULD NOT BE USED WITHOUT WRITTEN PERMISSION.

DIV. SIZE A