

PLEASE CHECK WWW.MOLEX.COM FOR LATEST PART INFORMATION

Part Number: [0050362279](#)
Status: **Active**
Overview: [standard_062](#)
Description: 1.57mm (.062") Diameter Standard .062" Pin and Socket Receptacle Housing, 9 Circuits, With Standard Mounting Ears, Glow Wire Compatible

Documents:

[3D Model](#) [Product Specification PS-02-06 \(PDF\)](#)
[Drawing \(PDF\)](#) [RoHS Certificate of Compliance \(PDF\)](#)

Agency Certification

CSA	LR19980
TUV	R72081037
UL	E29179

General

Product Family	Crimp Housings
Series	1625
Comments	Polarized to Mating Part
Overview	standard_062
Product Name	Standard .062"

Physical

Circuits (maximum)	9
Circuits Detail	3x3
Color - Resin	Natural
Flammability	94V-0
Gender	Plug
Glow-Wire Compliant	Yes
Keying to Mating Part	None
Lock to Mating Part	Yes
Material - Resin	Nylon
Number of Rows	3
Packaging Type	Bag
Panel Mount	Yes
Pitch - Mating Interface (in)	0.145 In
Pitch - Mating Interface (mm)	3.68 mm
Pitch - Term. Interface (in)	0.145 In
Pitch - Term. Interface (mm)	3.96 mm
Polarized to Mating Part	Yes
Stackable	No
Temperature Range - Operating	-40°C to +105°C

Electrical

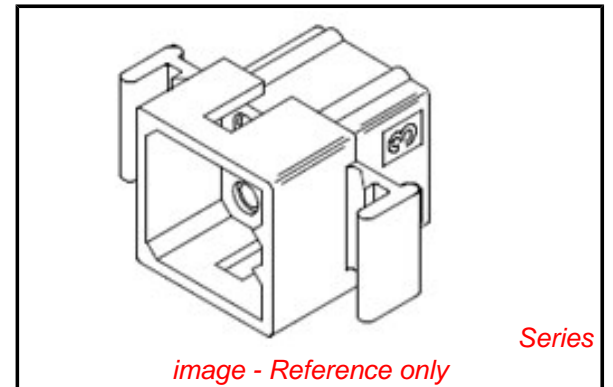
Current - Maximum per Contact	5A
-------------------------------	----

Material Info

Old Part Number	1625-9P-1
-----------------	-----------

Reference - Drawing Numbers

Packaging Specification	PK-1625-001
Product Specification	PS-02-06
Sales Drawing	SD-1625-9**



EU RoHS

ELV and RoHS Compliant
REACH SVHC
Contains SVHC: No
Halogen-Free Status

China RoHS



Halogen-Free

Need more information on product environmental compliance?

Email productcompliance@molex.com
 For a multiple part number RoHS Certificate of Compliance, [click here](#)

Please visit the [Contact Us](#) section for any non-product compliance questions.

Search Parts in this Series

[1625Series](#)

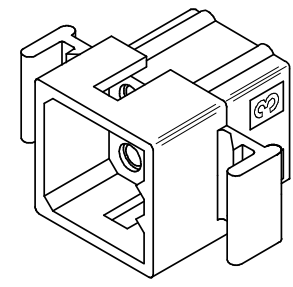
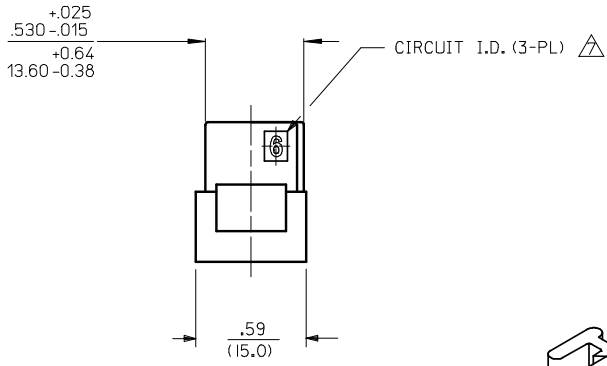
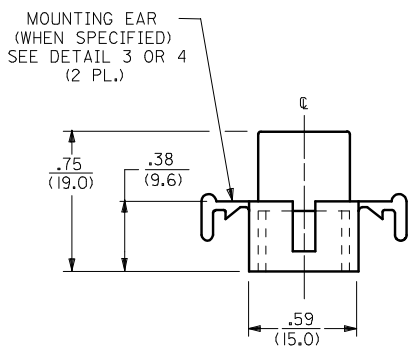
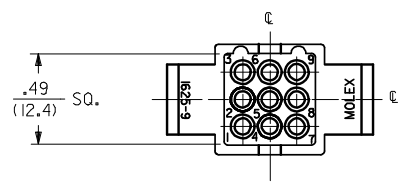
Mates With

[1625 Receptacle](#)

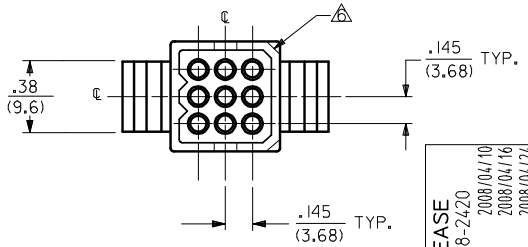
Use With

Female Crimp Terminals [1561Link:4559](#), [4529](#), [2190](#), [2189](#), [1787](#), [1855](#). Male Crimp Terminals [1560](#), [1786](#), [1854](#), [1778](#). Male PC Tail Terminals. [1779](#) Female PC Tail Terminals

PLEASE CHECK WWW.MOLEX.COM FOR LATEST PART INFORMATION



PLUG



3	A
2	A
1	A
SHT.	REV.

INITIAL RELEASE EC NO: UCP2008-2420 DRAWN:PRIDDER 2008/04/10 CHKD:LSCHMIDT 2008/04/16 APPR:FSMITH 2008/04/24	DESCRIPTION	QUALITY SYMBOLS	GENERAL TOLERANCES (UNLESS SPECIFIED)	DIMENSION STYLE	SCALE	DESIGN UNITS	THIRD ANGLE PROJECTION													
		$\nabla=0$ $\nabla=0$	<table border="1"> <tr> <th></th> <th>mm</th> <th>INCH</th> </tr> <tr> <td>4 PLACES</td> <td>±---</td> <td>±---</td> </tr> <tr> <td>3 PLACES</td> <td>±---</td> <td>±.010</td> </tr> <tr> <td>2 PLACES</td> <td>±0.25</td> <td>±.014</td> </tr> <tr> <td>1 PLACE</td> <td>±0.36</td> <td>±---</td> </tr> </table>		mm	INCH	4 PLACES	±---	±---	3 PLACES	±---	±.010	2 PLACES	±0.25	±.014	1 PLACE	±0.36	±---	IN/MM	2:1
	mm	INCH																		
4 PLACES	±---	±---																		
3 PLACES	±---	±.010																		
2 PLACES	±0.25	±.014																		
1 PLACE	±0.36	±---																		
A	REV	DRAFT WHERE APPLICABLE MUST REMAIN WITHIN DIMENSIONS	SEE CHART	DRAWN BY	DATE	TITLE	DOCUMENT NO.													
				AELHAG	2008/04/07			.062/(1.57) HOUSINGS PLUG & RECEPTACLE 9 CKT., .145/(3.68) CTRS	SD-1625-9**											
				APPROVED BY	DATE	MOLEX INCORPORATED														
				FSMITH	2008/04/07	1 OF 3														
				THIS DRAWING CONTAINS INFORMATION THAT IS PROPRIETARY TO MOLEX INCORPORATED AND SHOULD NOT BE USED WITHOUT WRITTEN PERMISSION																

13

12

11

10

9

8

7

6

5

4

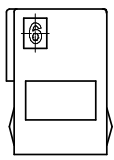
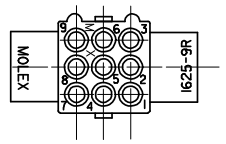
3

2

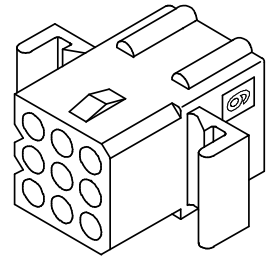
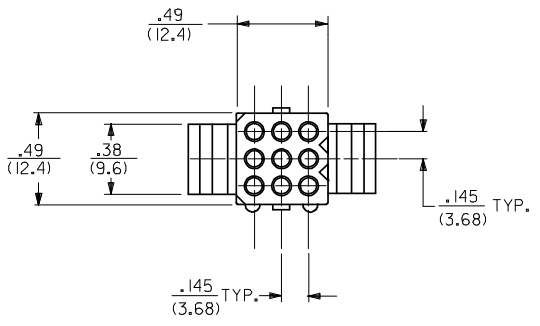
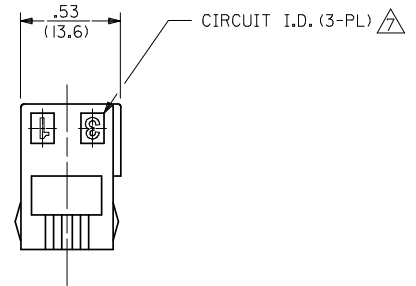
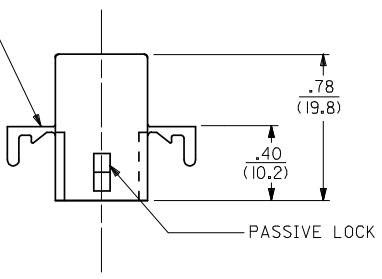
1

J
I
H
G
F
E
D
C
B
A

J
I
H
G
F
E
D
C
B
A



OPTIONAL MOUNTING EARS
SEE DETAIL 3 OR 4
FOR VERSIONS AVAILABLE



RECEPTACLE

INITIAL RELEASE EC NO: UCP2008-2420 DRAWN: PRIDDER 2008/04/10 CHKD: LSCHMIDT 2008/04/16 APPR: FSMITH 2008/04/24	DESCRIPTION A	QUALITY SYMBOLS	GENERAL TOLERANCES (UNLESS SPECIFIED)	DIMENSION STYLE	SCALE	DESIGN UNITS	THIRD ANGLE PROJECTION
		$\nabla=0$ $\nabla=0$	mm INCH 4 PLACES ± --- ± --- 3 PLACES ± --- ± .010 2 PLACES ± 0.25 ± .014 1 PLACE ± 0.36 ± --- ANGULAR ± 1/2°	IN/MM	2:1	INCH	
		DRAWN BY DATE AELHAG 2008/04/07 CHECKED BY DATE LSCHMIDT 2008/04/07 APPROVED BY DATE FSMITH 2008/04/07	MATERIAL NO. SEE CHART DOCUMENT NO. SD-1625-9**		TITLE	.062/(1.57) HOUSINGS, PLUG AND RECEPTACLE, 9 CKT., .145/(3.68) CTRS	
		DRAFT WHERE APPLICABLE MUST REMAIN WITHIN DIMENSIONS		THIS DRAWING CONTAINS INFORMATION THAT IS PROPRIETARY TO MOLEX INCORPORATED AND SHOULD NOT BE USED WITHOUT WRITTEN PERMISSION		MOLEX MOLEX INCORPORATED SHEET NO. 2 OF 3	

12

11

10

9

8

7

6

5

4

3

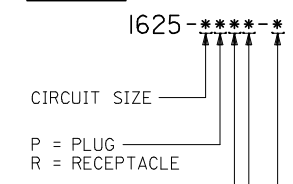
2

1

PLUG	
PART NO.	ENG. NO.
50-36-2279	1625-9P-1

RECEPTACLE	
PART NO.	ENG. NO.
50-36-2281	1625-9R4-1

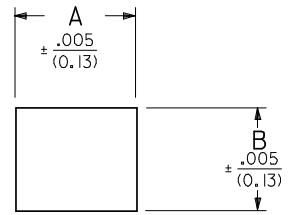
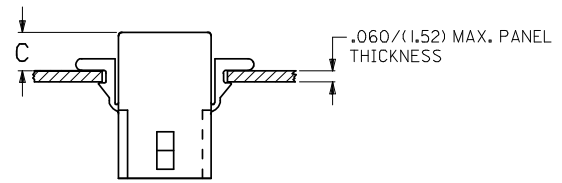
LEGEND:



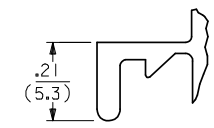
MOUNTING EAR & DETENT COMBINATIONS:
 BLANK=PLUG OR RECEPTACLE WITH STANDARD EARS
 I=PLUG OR RECEPTACLE WITHOUT EARS
 4=PLUG OR RECEPTACLE WITH PREBENT EARS

COLOR: NOT APPLICABLE

BLANK = MATERIAL CODE A
 B = MATERIAL CODE B
 C = MATERIAL CODE C
 1 = MATERIAL CODE D



RECEP.	.650 (16.51)	.552 (14.02)	.21 (5.3)	.22 (5.6)
PLUG	.752 (19.10)	.615 (15.62)	.20 (5.1)	.21 (5.3)
PART	DIM. A	DIM. B	DIM. C (STANDARD EAR)	DIM. C (PREBENT EAR)



DETAIL 3
STANDARD MOUNTING EAR
(SCALE 4:1)

RECOMMENDED HOLE PATTERN

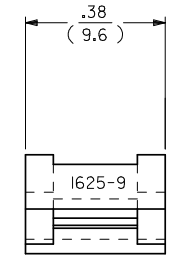
NOTES:

- MATERIAL CODES:
 A- SEE DRAWING SD-1625-9*
 B- SEE DRAWING SD-1625-9*
 C- SEE DRAWING SD-1625-9*
 D- NYLON (PA 6). UL94V-0. IEC 60335-1 4TH EDITION GLOW WIRE CAPABLE.
 COLOR BLACK
- FINISH: NONE
- PRODUCT SPECIFICATION: PS-02-06
- PACKAGING SPECIFICATION: PK-1625-001
- HOUSINGS OF USE WITH MOLEX .062 DIAMETER TERMINALS.

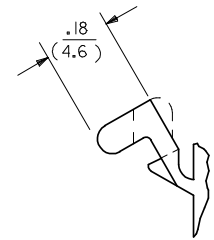
SOME PARTS MAY HAVE THIS CORNER CHAMFERED.

CIRCUIT I.D. NUMBERS APPEAR ONLY ON TOOLS BUILT AFTER 1992/11/01.

8. PARTS CONFORM TO CLASS B REQUIREMENTS OF COSMETIC SPECIFICATION PS-45499-002 EXCEPT MATERIAL OPTION D MEETS CLASS 'C' REQUIREMENTS FOR SINK AND DISCOLORATION.



DETAIL 4
PREBENT MOUNTING EAR
(SCALE 4:1)



INITIAL RELEASE EC NO: UCP2008-2420 DRAWN:PRIDDER 2008/04/10 CHKD:LSCHMIDT 2008/04/16 APPR:FSMITH 2008/04/24	QUALITY SYMBOLS ▽=0 ▽=0	GENERAL TOLERANCES (UNLESS SPECIFIED)		DIMENSION STYLE IN/MM	SCALE 2:1	DESIGN UNITS INCH	THIRD ANGLE PROJECTION	
		4 PLACES ± --- ± ---	3 PLACES ± --- ± .010	2 PLACES ± 0.25 ± .014	1 PLACE ± 0.36 ± ---	ANGULAR ± 1 °	DRAWN BY AELHAG 2008/04/07	CHECKED BY LSCHMIDT 2008/04/07
DRAFT WHERE APPLICABLE MUST REMAIN WITHIN DIMENSIONS		MATERIAL NO. SEE CHART		DOCUMENT NO. SD-1625-9**		SHEET NO. 3 OF 3		
THIS DRAWING CONTAINS INFORMATION THAT IS PROPRIETARY TO MOLEX INCORPORATED AND SHOULD NOT BE USED WITHOUT WRITTEN PERMISSION								