

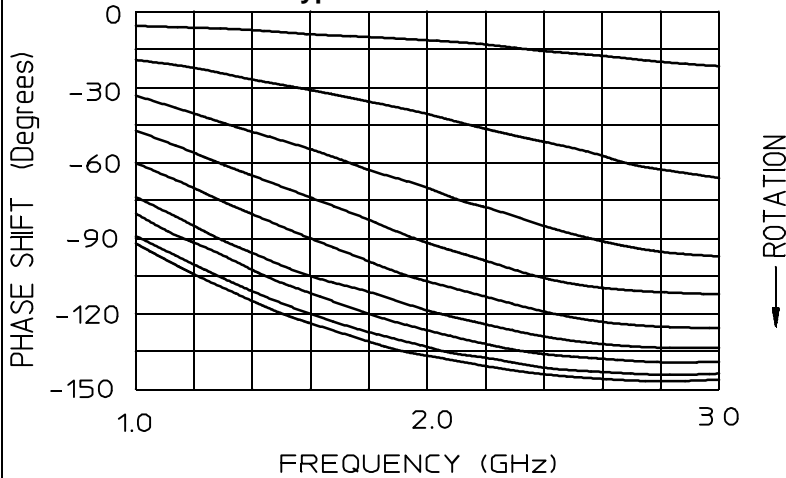
**PRINCIPAL SPECIFICATIONS**

Model Number	Operating Band, GHz	Minimum Phase Shift Range
PSM-2D-2250	2.0 to 3.0 1.0 to 2.0	- 90° - 60°

**GENERAL SPECIFICATIONS**

Insertion Loss:	1.5 dB typ.
Loss Variation:	1 dB typ.
Impedance:	50 Ω nom.
VSWR:	2.0:1 typ.
Screw Drive:	Multi-Turn
Turns for maximum shift:	16 turns nom.
CW Power:	0.5 Watts max
Signal Connectors:	SMA Female
Weight, nominal:	1 oz (28 g)
Operating Temp:	- 55° to +85°C

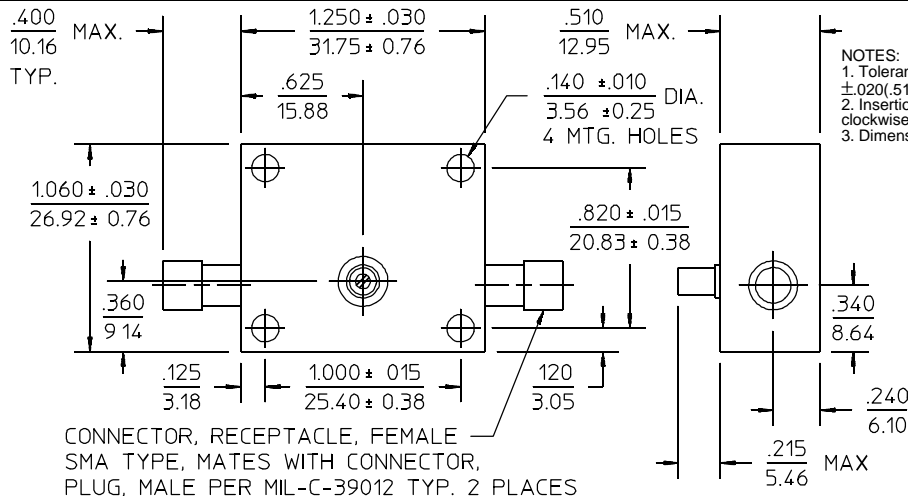
**Typical Performance**



**General Notes:**

1. The PSM-2D-2250 provides continuous phase adjustment of microwave signals with a compact package equipped with SMA connectors.
2. The phase shifter employs microstrip quadrature hybrids with dual capacitor tuned LC networks acting as sliding short circuits on the outputs. The electrical length of the short effectively delays the reflected signal which appears at the isolated port of the quadrature hybrid.
3. Similar phase shifters designed for lower frequencies are available in a variety of connectorized packages. Merrimac also makes electronically tuned models in flatpacks, surface mount and Meri-Pac™ PC mounts .

**Package Outline**



**NOTES:**

1. Tolerance on 3 place decimals ±.020(.51) except as noted.
2. Insertion phase increases with clockwise rotation of screw.
3. Dimensions in inches over millimeters.

CONNECTOR, RECEPTACLE, FEMALE  
SMA TYPE, MATES WITH CONNECTOR,  
PLUG, MALE PER MIL-C-39012 TYP. 2 PLACES

15Feb96