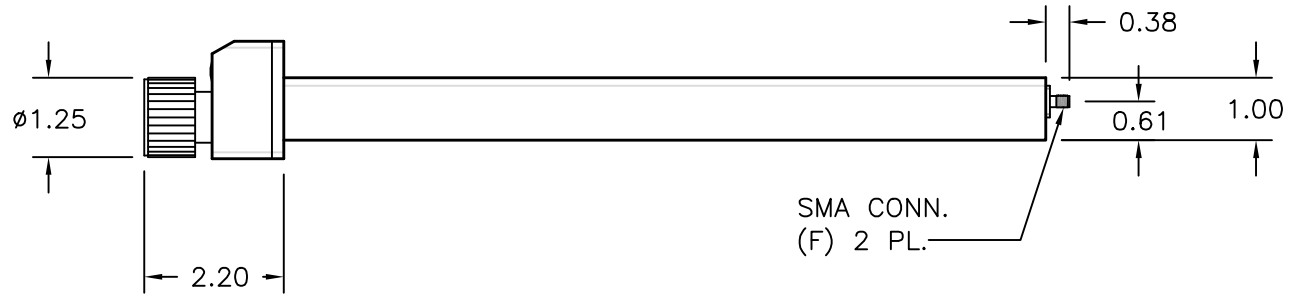
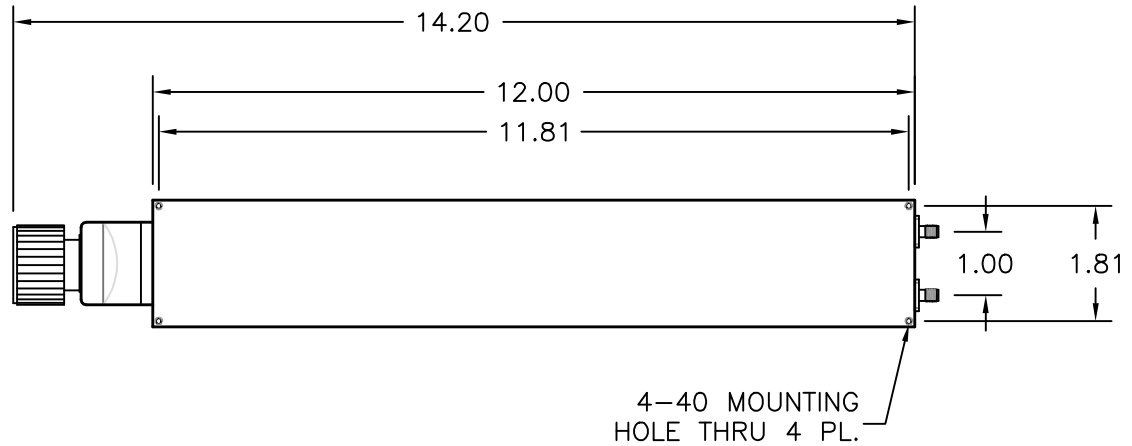
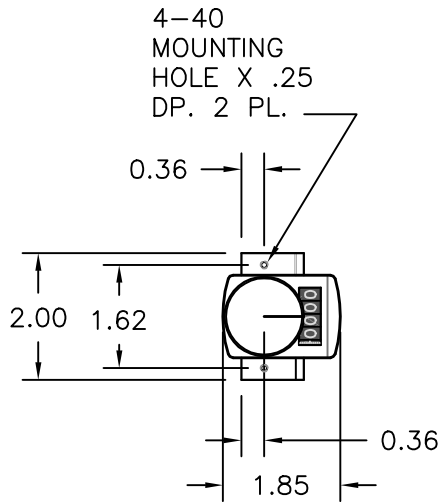


REV.	DATE	INITIAL
A	MM/DD/YY	RELEASE



NOTES:

1. ALL MODELS HAVE AN RF POWER RATING OF 100W AVERAGE & 3 KW PEAK.

MATERIAL	-	TREATMENT	-	DRAWN	R. LYNCH	DATE	7/13/01
FINISH	ATM STD. GRAY	MOD NO.	P12DXX	CHECKED		DATE	
12.00" PHASESHIFTER OUTLINE - DIGITAL COUNTING DIAL				APPROVED		DATE	
ADVANCED TECHNICAL MATERIALS, INC. 49 RIDER AVE., PATCHOGUE N.Y. 11772 TEL: (631) 289-0386 FAX: (631) 289-0358 http://www.atmmicrowave.com				UNLESS OTHERWISE NOTED DIMENSIONS ARE IN INCHES TOLERANCES ARE:		FRACTIONS ±1/64 DECIMALS ±.01 ANGLES ±1/2°	SHEET. 1/1
PROPRIETARY NOTICE: THE INFORMATION IN THIS DRAWING IS PROPRIETARY AND SHALL NOT BE USED OR DISCLOSED WITHOUT THE PRIOR WRITTEN CONSENT OF ATM, INC.				SCALE 1 : 3	DWG. NO. 4440W	REV. A	