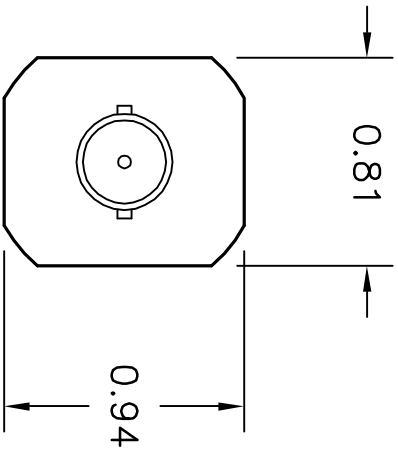
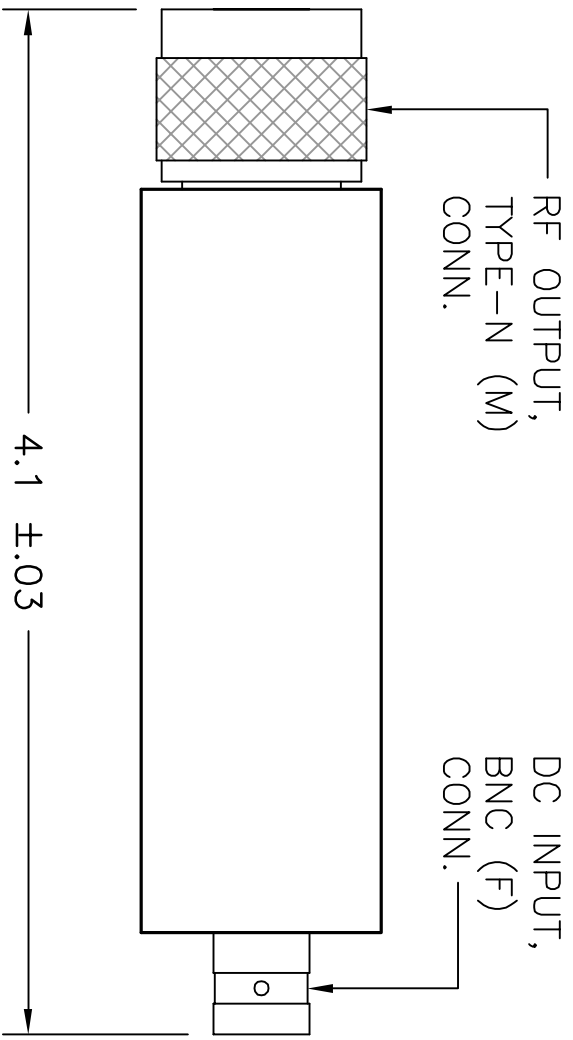




REV.	AUTH.	DATE	INITIAL RELEASE	APPROVED
REV. A	R.L.	MM/DD/03	UPDATED DIMS, ADDED PROJECTED VIEW, SPECS., REMSED NOTES	APPROVED
REV. B	R.L.	12/4/03		APPROVED
REV. C	R.L.	12/18/03	CORRECTED NOTES, SPECS.	APPROVED



**PERFORMANCE SPECS.**

MODEL NO.	FREQ RANGE (GHZ)	NOISE OUTPUT ENR (DB)	VSWR (MAX.)
NX153EZ	1.0 - 4.0	15.5+/-0.5	1.25:1
NX154FZ	2.0 - 8.0	15.5+/-0.5	1.25:1
NX153GZ	1.0 - 12.4	15.5+/-0.5	1.25:1
NX155GZ	4.0 - 12.4	15.5+/-0.5	1.25:1
NX153HZ	1.0 - 18.0	15.5+/-1.2	1.35:1

MATERIAL: <u>        </u>	TREATMENT: <u>        </u>	DRAWN: <b>R. KESNER</b>	DATE: <b>9/17/00</b>
FINISH: <b>STD. ATM GRAY</b>	MOD. NO.: <b>NX15-XX-Z</b>	CHECKED: <u>        </u>	DATE: <u>        </u>
<b>OUTLINE, Z-PACKAGE MICROWAVE NOISE SOURCE</b>		APPROVED: <u>        </u>	DATE: <u>        </u>
ADVANCED TECHNICAL MATERIALS, INC. 49 RIDER AVE., PATCHOGUE N.Y. 11772 TEL: (631) 289-0363 FAX: (631) 289-0358 http://www.dtmmicrowave.com		CAGE CODE: <b>0R8N4</b>	DO NOT SCALE DWG
UNLESS OTHERWISE NOTED DIMENSIONS ARE IN INCHES TOLERANCES ARE: FRACTIONS DECIMALS ANGLES ±1/64 ±.01 ±1/2°		SCALE: <b>NO SCALE</b>	DWG. NO. <b>2270W</b>
			REV. <b>C</b>

THE INFORMATION IN THIS DRAWING IS UNCLASSIFIED EXCEPT WHERE SHOWN OTHERWISE. IT IS TO BE USED OR DISCLOSED WITHOUT OF THE PRIOR WRITTEN CONSENT OF ATM, INC.