



**PRINCIPAL SPECIFICATIONS**

Model Number	Frequency Limits, MHz	DC Supply Power, Nom.
IAM-01-75	10 - 150	+28V @ 75 mA
IAM-01-200	10 - 400	+28V @ 75 mA
IAM-01-250	10 - 500	+15V @ 75 mA

**GENERAL SPECIFICATIONS**

Reverse Isolation:  
 10 - 100 MHz      40 dB min.  
 100 - 300 MHz    30 dB min.  
 300 - 500 MHz    23 dB min.

Impedance:      50 Ω nom.

VSWR:  
 Input            1.65:1 max.  
 Output          1.50:1 max.

Insertion Loss/Gain :    0 ± 1 dB (mid-band)

Flatness:            ± 1 dB

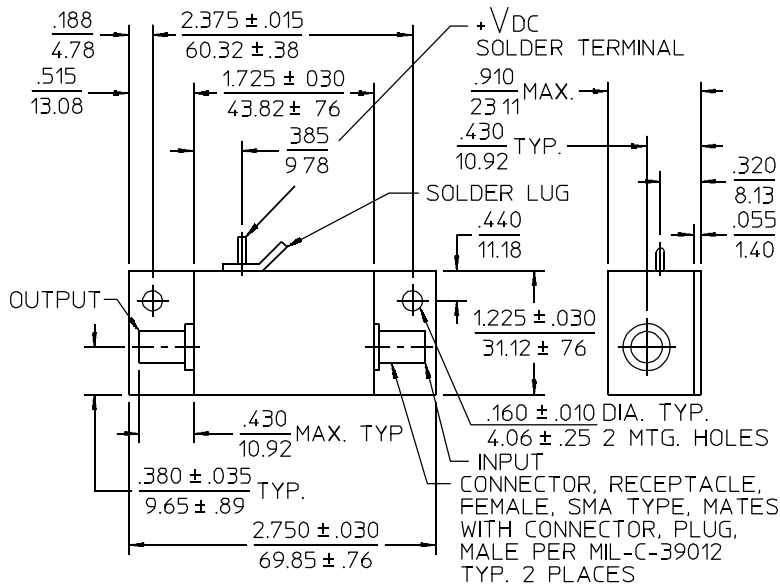
Power Input, 1 dB Comp: +15 dBm min.

Input Intercept Points:  
 3rd Order:        +26 dBm typ.  
 2nd Order:        +30 dBm typ.

DC Supply Connections:  
 Terminal:        Solder Pin  
 Ground:          Solder Lug

Weight, nominal:      3 oz. (86 g)  
 Operating Temp:      - 55° to +71°C

**Package Outline**



NOTES: 1. Tolerance on 3 place decimals ± .020(.51) except as noted.  
 2. Dimensions in inches over millimeters.

**General Notes:**

- Merrimac's IAM series consists of broadband, nontuned, nonreciprocal networks realized in solid state devices. They are intended for applications from HF through UHF and are ideally suited for isolating signal sources from mismatched or "swinging" loads.
- Versions to cover specific frequencies with higher isolation or tighter tolerances are available as options.

13Mar96

