

EPR1572S

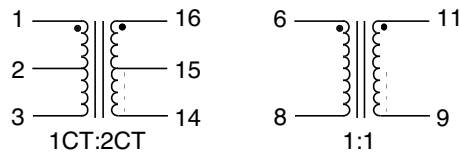
- Low Profile Surface Mount Package •
- 1500 Vrms Isolation •
- Operating Temperature Range : 0°C to +70°C •

Electrical Parameters @ 25° C

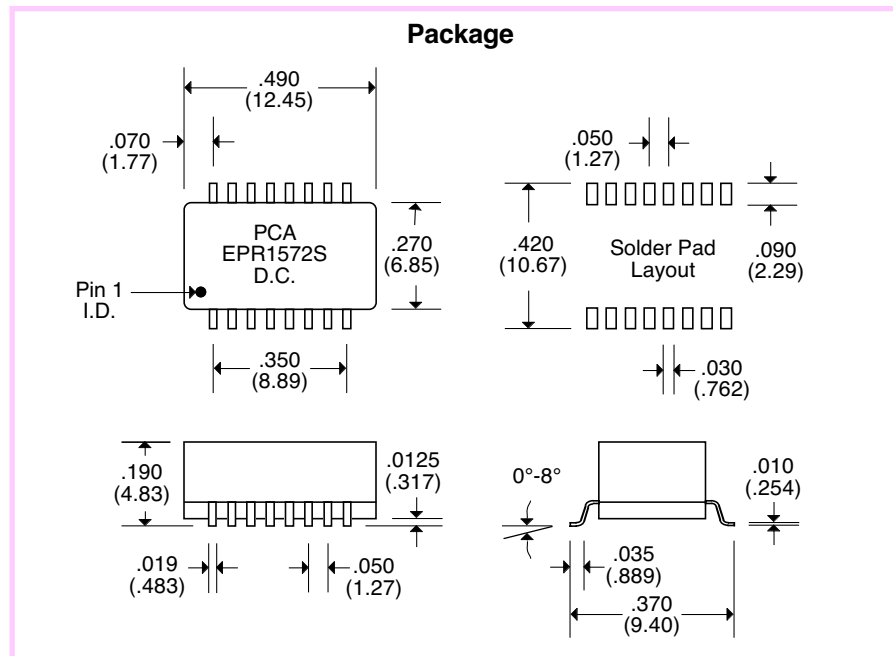
OCL (mH Typ.)	Turns Ratio (± 5%)	Cw/w (pF Max.)	Le (μH Max.)	DCR (Ω Max.)	Pri. Pins	Crosstalk (dB Typ.)
Pri.				Pri.		0.1 MHz-10 MHz
1.2	1CT:2CT& 1:1	30	0.4	0.7	1-3, 6-8	-60

• Crosstalk : Between Channels •

Schematic



Package



Unless Otherwise Specified Dimensions are in Inches /mm ± .010 /.25