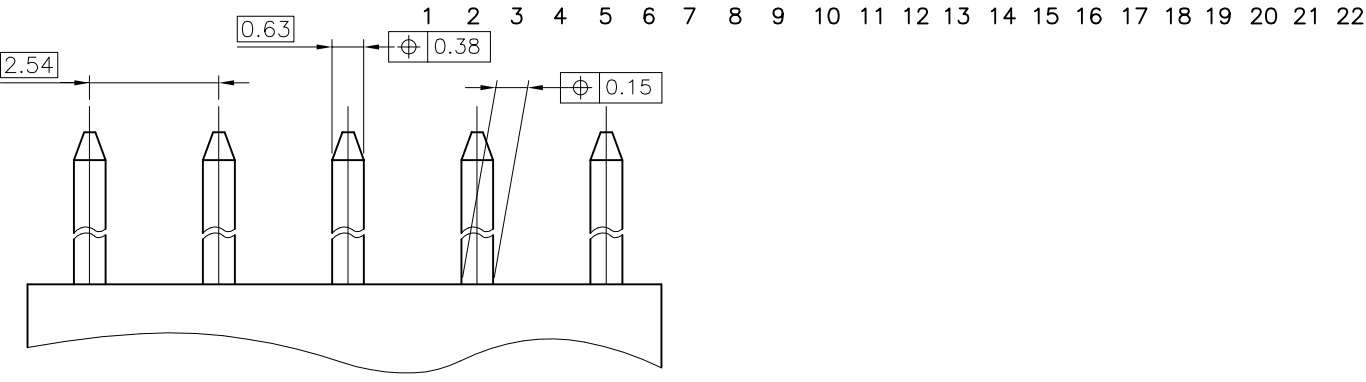
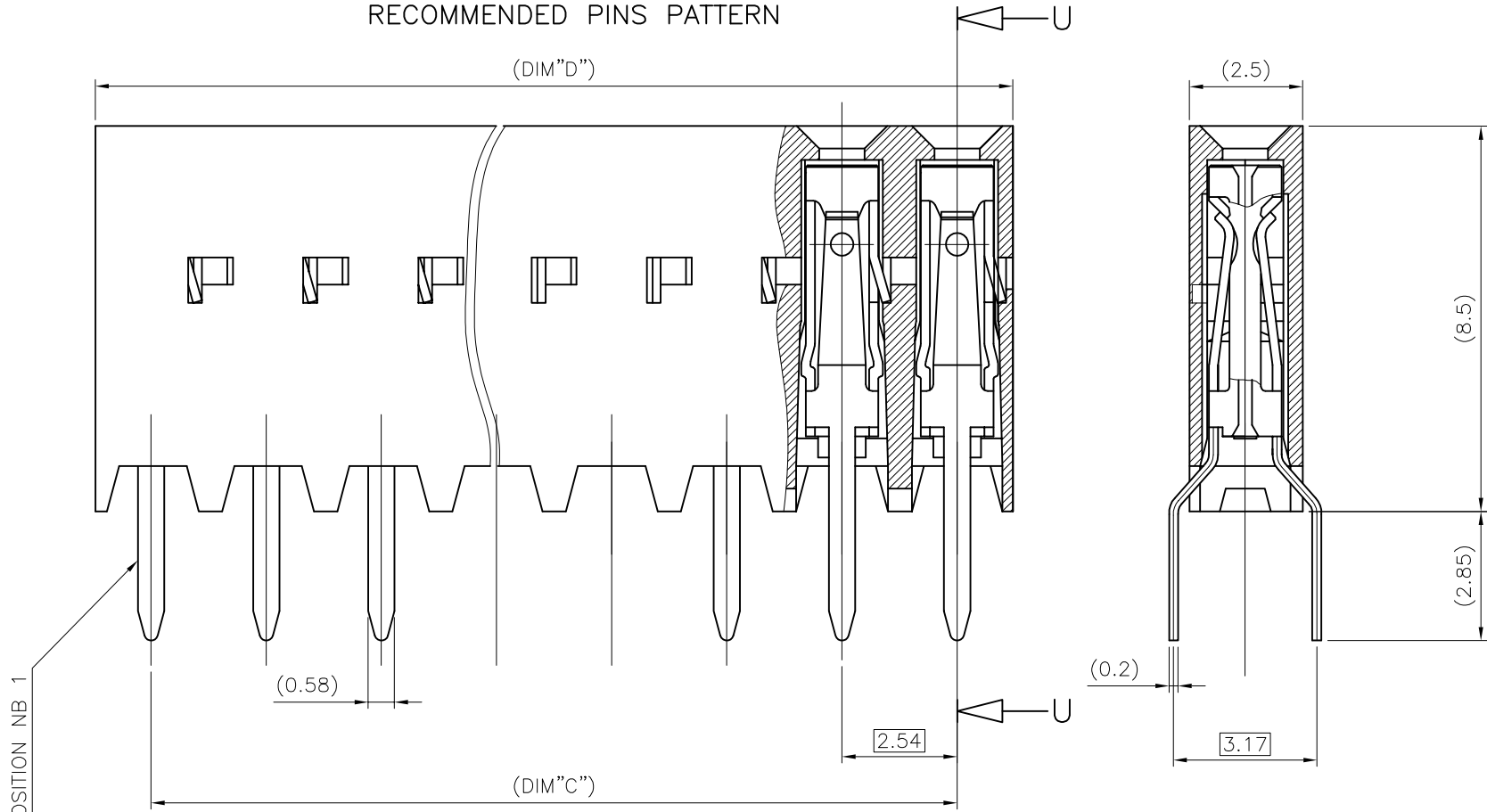


PRODUCT N°	DIM"C"	DIM"D"	CONTACT PLACED IN CAVITY																					
95200-Y01(LF)	48.26	50.72	X	X	X				X	X	X	X	X	X	X	X	X	X	X	X	X	X	X	
95200-Y02(LF)	7.62	10.08	X		X																			
95200-Y03(LF)	53.34	55.80	X		X			X		X		X		X		X		X		X		X	X	
95200-Y04(LF)	53.34	55.80	X	X	X	X	X	X	X	X	X	X	X	X	X	X	X	X	X	X	X	X	X	

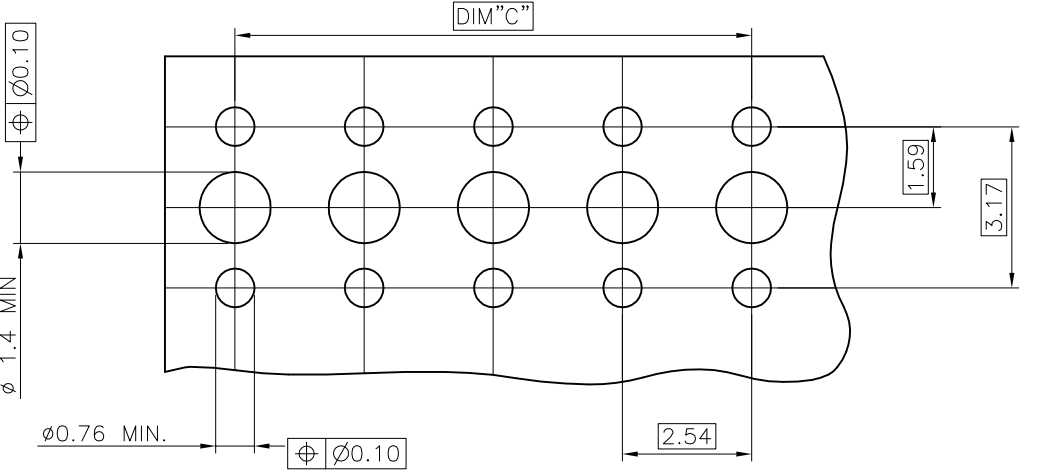
WHEN NEEDED, SUFFIX LETTER "LF" INDICATES THE PRODUCT IS RoHS COMPATIBLE, SEE NOTE 3



MINIMUM MATING PIN LENGTH: 5 mm.
RECOMMENDED PINS PATTERN



SECTION U-U



RECOMMENDED HOLE PATTERN.

NOTES:

- 1 - MATERIAL HOUSING: THERMOPLASTIC POLYESTER, 30% GLASS FILLED, COLOUR BLUE, FLAME RETARDANT: PER UL-94 CATEGORY V0. MATERIAL TERMINAL: PHOSPHORE BRONZE EXTRA HARD.
- 2 - CONNECTOR MEANT TO BE USED FOR PC BOARD WITH NON PLATED THROUGH HOLES.
- 3 - RoHS COMPATIBLE PRODUCT SPECIFICATIONS
 - a - PLATING:
 - "LF" MEANS THE PRODUCT IS LEAD-FREE, 2μm MINIMUM MATTE TIN OVER 1.27μm MINIMUM NICKEL UNDERPLATE.
 - b - MANUFACTURING PROCESS COMPATIBILITY
 - THE HOUSING WILL WITHSTAND EXPOSURE TO 260°C ±5°C SOLDER BATH TEMPERATURE FOR 5 SECONDS IN A WAVE SOLDER APPLICATION WITH A 1.6mm MIN THICK CIRCUIT BOARD.
 - c - LABELING:
 - MEETS PACKAGING SPECS AS PER GS-14-920
 - d - LEGAL STATEMENT: SEE GS-22-008

95200-4XX	5 μm SnPb	SnPb
95200-3XX	0.75 μm GOLD	SnPb
PLATING CODE	CONTACT AREA	SOLDER TAIL
	PLATING THICKNESS OVER 1.27μm Ni	

95200-4XXLF	5 μm Sn	Sn
95200-3XXLF	0.76 μm GOLD	SnPb
PLATING CODE	CONTACT AREA	SOLDER TAIL
	PLATING THICKNESS OVER 1.27μm Ni	

mat'l. code		surface		tolerance		projection		product family	
SEE NOTES		ISO 1302		ISO 406 ISO 1101		mm		DX VCC SR	
ltr	ecn no	dr	date	tolerances unless otherwise specified		mm		title	
H	F04-0347	DLE	04.11.15	.0±.x		mm		OFF SET LEGS	
J	F06-0233	DLE	06.07.13	.00±.0x		mm		SELECTED LOADED	
K	F07-0271	LMU	07.12.06	.000±.00x		mm		scale 10:1	
		dr	D.LEGRAND	01.12.05		mm		dwg no	
E	F10724	PNZ	01.12.05	engr		P.NIZZI		01.12.05	
F	F20337	DLE	02/05/29	chr		D.LEGRAND		01.12.05	
G	F03-0284	DLE	03.10.15	appd		PNZ		01.12.05	
sheet		revision				FCJ		95200	
index		sheet						CUSTOMER Drawing	