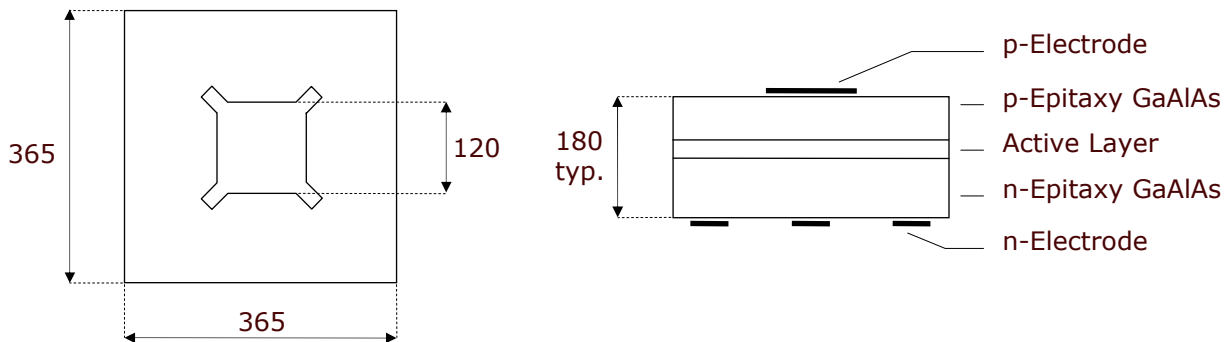


**INFRA-RED**
**Item No.: 126284**

1. This specification applies to GaAlAs / GaAlAs Chips (substrate removed)
2. Structure
  - 2.1 Mesa structure
  - 2.2 Electrodes
 

p-side (anode)	Au alloy
n-side (cathode)	Au alloy
3. Outlines (dimensions in microns)



Wire bond contact can also be square

4. Electrical and optical characteristics (T=25°C)

Parameter	Symbol	Conditions	min	typ	max	Unit
Forward voltage	$V_F$	$I_F = 20 \text{ mA}$		1,35	1,60	V
Reverse voltage	$V_R$	$I_R = 10 \mu\text{A}$	5			V
output Power *	$\Phi_e$	$I_F = 20 \text{ mA}$	3,7	4,5		mW
Switching time	$t_r, t_f$	$I_F = 20 \text{ mA}$		20		ns
Peak wavelength	$\lambda_p$	$I_F = 20 \text{ mA}$		870		nm

Power measurement at OSA on gold plate

5. Packing
  - 1) wire bond side on top
  - 2) back contact on top

6. Labeling

Type	Lot No.	$\Phi_e$ typ min max	Quantity
------	---------	----------------------------	----------