

**PLEASE CHECK WWW.MOLEX.COM FOR LATEST PART INFORMATION**

**Part Number:** [0740621021](#)  
**Status:** **Active**  
**Overview:** vhdm  
**Description:** 2.00mm (.079") Pitch VHDM® Board-to-Board Backplane Header, Vertical, 8-Row, Guide Pin Signal Module, Shield End Version, 80 Circuits, Pin Length 4.75mm (.187"), Keying Pin Orientation B

**Documents:**

[3D Model](#) [RoHS Certificate of Compliance \(PDF\)](#)  
[Drawing \(PDF\)](#)

**Agency Certification**

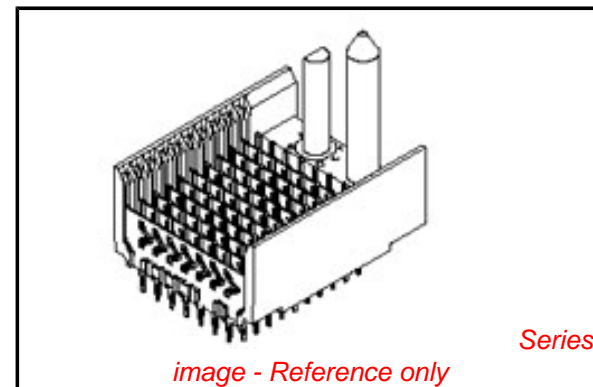
UL E29179

**General**

Product Family Backplane Connectors  
 Series [74062](#)  
 Application Backplane  
 Application Tooling Documents <a href="http://www.molex.com/pdm\_docs/ats/TM-622010999.pdf">Tooling Manual</a>  
 Comments Keying Position B  
 Component Type PCB Header  
 Overview [vhdm](#)  
 Product Name VHDM®  
 Style N/A

**Physical**

Circuits (Loaded) 80  
 Circuits (maximum) 80  
 Color - Resin Black  
 Durability (mating cycles max) 200  
 First Mate / Last Break No  
 Flammability 94V-0  
 Guide to Mating Part Yes  
 Keying to Mating Part Yes  
 Material - Metal Beryllium Copper, High Performance Alloy (HPA), Stainless Steel  
 Material - Plating Mating Gold  
 Material - Plating Termination Tin-Lead  
 Material - Resin High Temperature Thermoplastic  
 Number of Columns N/A  
 Number of Pairs Open Pin Field  
 Number of Rows 8  
 Orientation Vertical  
 PC Tail Length (in) 0.098 In  
 PC Tail Length (mm) 2.50 mm  
 PCB Locator No  
 PCB Retention None  
 PCB Thickness Recommended (in) 0.070 In  
 PCB Thickness Recommended (mm) 1.80 mm  
 Packaging Type Tube  
 Pitch - Mating Interface (in) 0.079 In  
 Pitch - Mating Interface (mm) 2.00 mm  
 Pitch - Term. Interface (in) 0.079 In  
 Pitch - Term. Interface (mm) 2.00 mm  
 Plating min: Mating (µin) 30



**EU RoHS**

**RoHS Compliant by Exemption**

**REACH SVHC**

Not Reviewed

**Halogen-Free**

**Status**

**Not Reviewed**

**China RoHS**



**Need more information on product environmental compliance?**

Email [productcompliance@molex.com](mailto:productcompliance@molex.com)  
 For a multiple part number RoHS Certificate of Compliance, [click here](#)

Please visit the [Contact Us](#) section for any non-product compliance questions.

**Search Parts in this Series**

[74062Series](#)

**Mates With**

[74040 VHDM® Board-to-Board Daughtercard Receptacle](#)

**Application Tooling | FAQ**

*Tooling specifications and manuals are found by selecting the products below. Crimp Height Specifications are then contained in the Application Tooling Specification document.*

**Global**

Description	Product #
Flat Rock Tooling for Pneumatic Press	<a href="#">0622013700</a>
VHDM® Signal Pin	<a href="#">0622015700</a>
Insertor Repair Tool	
VHDM® 8 Row Pin and Shield Repair Tool	<a href="#">0622015900</a>

Plating min: Mating (µm)	0.75
Plating min: Termination (µin)	30
Plating min: Termination (µm)	0.75
Polarized to PCB	Yes
Stackable	Yes
Surface Mount Compatible (SMC)	Yes
Temperature Range - Operating	-55°C to +105°C
Termination Interface: Style	Through Hole - Compliant Pin

### Electrical

Current - Maximum per Contact	1A
Data Rate	3.125 Gbps
Real Signals (per 25mm)	100
Shield Type	Ground Plane Shield
Shielded	Yes
Voltage - Maximum	120V AC (RMS)/DC

### Material Info

#### Reference - Drawing Numbers

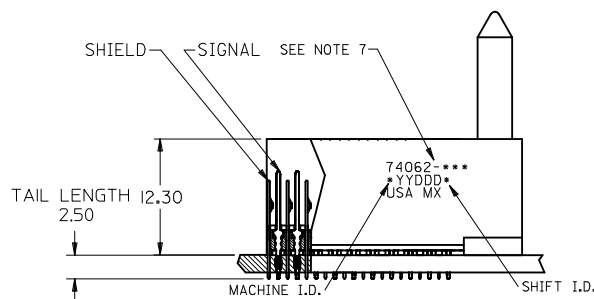
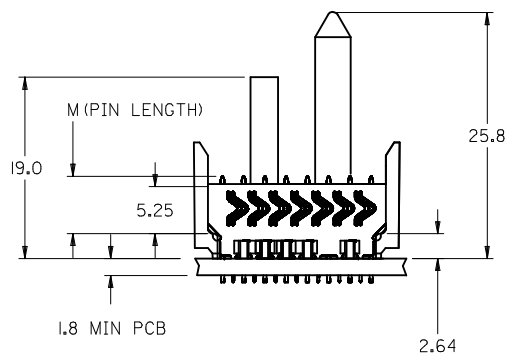
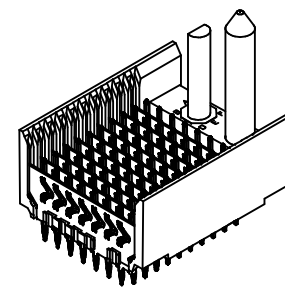
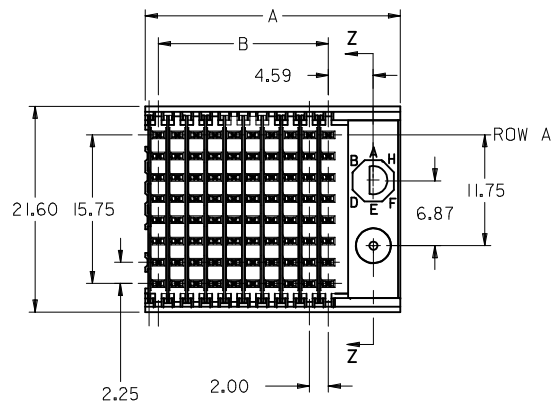
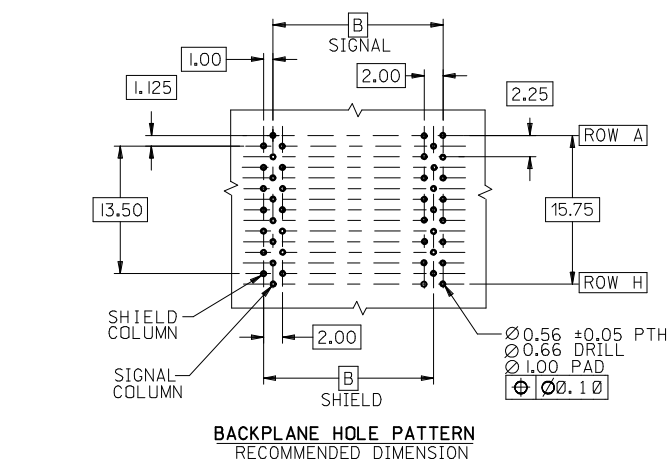
Sales Drawing	SD-74062-002
---------------	--------------

VHDM and Very High Density Metric are trademarks of Amphenol Corporation

VHDM® 8 Row Shield Extraction Tool	<u>0622016100</u>
VHDM® Insertion Module for Advanced Mate Signal Header, 8 Row by 10 Wide, 20.00mm (.787")	<u>0622020205</u>
VHDM® Insertion Module for Standard Shield Signal Header, 8 Row by 10 Wide, 20.00mm (.787")	<u>0622020209</u>

This document was generated on 05/19/2010

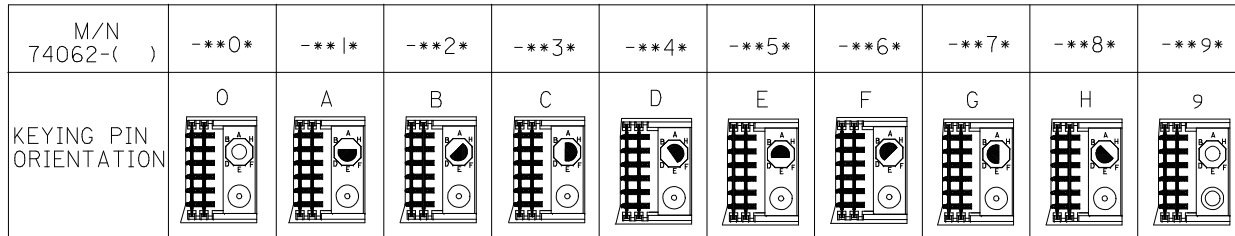
**PLEASE CHECK WWW.MOLEX.COM FOR LATEST PART INFORMATION**



**NOTES:**

- MATERIALS:**  
HOUSING - LIQUID CRYSTAL POLYMER (LCP),  
GLASS-FILLED, UL 94V-0, COLOR: BLACK  
SIGNAL PIN & SHIELD - COPPER ALLOY
- FINISHES:**  
CONTACT AREA: SELECTIVE GOLD (Au)  
PCB TAILS: SELECTIVE TIN/LEAD (Sn/Pb)  
OR SELECTIVE MATTE TIN (Sn)  
NICKEL (Ni) OVERALL.
- THIS PART CONFORMS TO MOLEX PRODUCT SPECIFICATION PS-74031-999
- FOR MIXED CONTACT LENGTHS CONSULT MOLEX FOR AVAILABILITY
- FOR SPECIFIC MATERIAL NUMBERS & MATING INFORMATION REFER TO SHEET 2
- PACKAGE PER PK-74061-003
- EITHER MARK PART WITH PART NUMBER & DATE CODE APPROXIMATELY WHERE SHOWN OR PLACE LABEL ON THE TUBE.

ADD NO GDE/NO KEY EC NO: UCP2009-2089 DRW:BSMART 2009/02/23 CHKD:SDANNELLEY 2009/02/23 APPR:SMILLER 2009/02/23	DESCRIPTION N	QUALITY SYMBOLS ▼=0 ▽=0	GENERAL TOLERANCES (UNLESS SPECIFIED) <table border="1"> <tr> <th></th> <th>mm</th> <th>INCH</th> </tr> <tr> <td>4 PLACES</td> <td>± ---</td> <td>± ---</td> </tr> <tr> <td>3 PLACES</td> <td>± ---</td> <td>± ---</td> </tr> <tr> <td>2 PLACES</td> <td>± ---</td> <td>± ---</td> </tr> <tr> <td>1 PLACE</td> <td>± ---</td> <td>± ---</td> </tr> </table>		mm	INCH	4 PLACES	± ---	± ---	3 PLACES	± ---	± ---	2 PLACES	± ---	± ---	1 PLACE	± ---	± ---	DIMENSION STYLE <b>MM ONLY</b> DRAWN BY DATE MWANG 1998/11/12 CHECKED BY DATE JLAURX 1998/11/12 APPROVED BY DATE CBIXLER 1998/11/12	SCALE <b>METRIC</b>	DESIGN UNITS <b>METRIC</b>	THIRD ANGLE PROJECTION
			mm	INCH																		
		4 PLACES	± ---	± ---																		
		3 PLACES	± ---	± ---																		
2 PLACES	± ---	± ---																				
1 PLACE	± ---	± ---																				
DRAFT WHERE APPLICABLE MUST REMAIN WITHIN DIMENSIONS			MATERIAL NO. <b>SEE SHEET 2</b>	TITLE <b>VHDM 8 ROW          SHIELD END BACKPLANE          SALES ASSEMBLY</b>	MOLEX INCORPORATED	SHEET NO. <b>1 OF 2</b>																
THIS DRAWING CONTAINS INFORMATION THAT IS PROPRIETARY TO MOLEX INCORPORATED AND SHOULD NOT BE USED WITHOUT WRITTEN PERMISSION			SIZE <b>C</b>	DOCUMENT NO. <b>SD-74062-002</b>																		

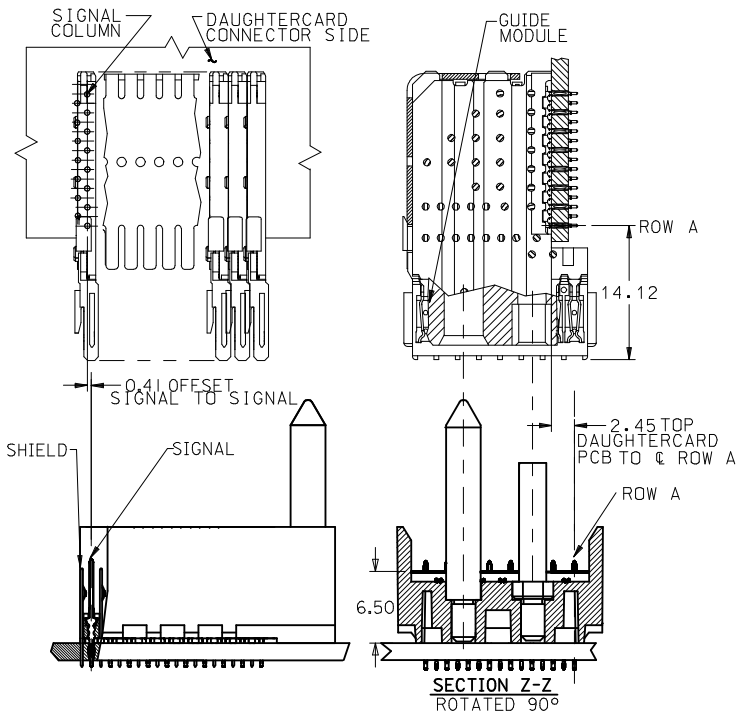


74062 - \* \* \* \*

NUMBER OF COLUMNS/PLATING  
 10 = 10 COLUMN TIN/LEAD  
 25 = 25 COLUMN TIN/LEAD  
 90 = 10 COLUMN MATTE TIN  
 85 = 25 COLUMN MATTE TIN

CONTACT LOAD  
 (PIN LENGTH)  
 1 & 6 = 4.75  
 2 & 7 = 6.25  
 3 & 8 = 4.25  
 4 & 9 = 5.15

NO GUIDE PIN  
 NO KEYING PIN



PART NUMBER	COLUMN	NUMBER OF SIGNAL	NUMBER OF PIN	NUMBER OF SHIELD	A	B	M	Au (um) THICKNESS	Sn (um) THICKNESS
74062-*0*1	10	80	10	10	27.00	18.00	4.75	0.76	0.76-1.52
74062-*0*6								1.27	
74062-*5*1	25	200	25	25	57.00	48.00	6.25	0.76	
74062-*5*6								1.27	
74062-*0*2	10	80	10	10	27.00	18.00	4.25	0.76	
74062-*0*7								1.27	
74062-*5*2	25	200	25	25	57.00	48.00	5.15	0.76	
74062-*5*7								1.27	
74062-*0*3	10	80	10	10	27.00	18.00	4.25	0.76	
74062-*0*8								1.27	
74062-*5*3	25	200	25	25	57.00	48.00	5.15	0.76	
74062-*5*8								1.27	
74062-*0*4	10	80	10	10	27.00	18.00	5.15	0.76	
74062-*0*9								1.27	
74062-*5*4	25	200	25	25	57.00	48.00	5.15	0.76	
74062-*5*9								1.27	

<b>ADD NO GDE/NO KEY</b> EC NO: UCP2009-2089 DRW:BSMART 2009/02/23 CHKD:SDANNELLEY 2009/02/23 APPR:SMILLER 2009/02/23	QUALITY SYMBOLS ▽=0 ▽=0	GENERAL TOLERANCES (UNLESS SPECIFIED)		DIMENSION STYLE <b>MM ONLY</b>		SCALE METRIC	DESIGN UNITS METRIC		THIRD ANGLE PROJECTION	
		4 PLACES ± --- ± --- 3 PLACES ± --- ± --- 2 PLACES ± --- ± --- 1 PLACE ± --- ± ---	mm INCH ± --- ± --- ± --- ± --- ± --- ± --- ± --- ± ---	DRAWN BY MWANG	DATE 1998/11/12	TITLE <b>VHDM 8 ROW SHIELD END BACKPLANE SALES ASSEMBLY</b>				
		ANGULAR ±1/2°		CHECKED BY JLAURX	DATE 1998/11/12	MOLEX INCORPORATED				
		DRAFT WHERE APPLICABLE MUST REMAIN WITHIN DIMENSIONS		APPROVED BY CBIXLER	DATE 1998/11/12	MATERIAL NO. <b>SEE CHART</b>		DOCUMENT NO. <b>SD-74062-002</b>	SHEET NO. <b>2 OF 2</b>	

THIS DRAWING CONTAINS INFORMATION THAT IS PROPRIETARY TO MOLEX INCORPORATED AND SHOULD NOT BE USED WITHOUT WRITTEN PERMISSION