

PLEASE CHECK WWW.MOLEX.COM FOR LATEST PART INFORMATION

Part Number: **0740621003**
Status: **Active**
Overview: vhdm
Description: 2.00mm (.079") Pitch VHDM® Board-to-Board Backplane Header, Vertical, 8-Row, Guide Pin Signal Module, Shield End Version, Pin End Version, 80 Circuits, Pin Length 4.25mm (.167")

Documents:

[Drawing \(PDF\)](#) [RoHS Certificate of Compliance \(PDF\)](#)

Agency Certification

UL E29179

General

Product Family Backplane Connectors
 Series [74062](#)
 Application Backplane
 Application Tooling Documents http://www.molex.com/pdm_docs/ats/TM-622010999.pdf>Tooling Manual
 Comments No Keying Position
 Component Type PCB Header
 Overview [vhdm](#)
 Product Name VHDM®
 Style N/A

Physical

Circuits (Loaded) 80
 Circuits (maximum) 80
 Color - Resin Black
 Durability (mating cycles max) 200
 First Mate / Last Break No
 Flammability 94V-0
 Guide to Mating Part Yes
 Keying to Mating Part None
 Material - Metal Beryllium Copper, High Performance Alloy (HPA), Stainless Steel
 Material - Plating Mating Gold
 Material - Plating Termination Tin-Lead
 Material - Resin High Temperature Thermoplastic
 Number of Columns N/A
 Number of Pairs Open Pin Field
 Number of Rows 8
 Orientation Vertical
 PC Tail Length (in) 0.098 In
 PC Tail Length (mm) 2.50 mm
 PCB Locator No
 PCB Retention None
 PCB Thickness Recommended (in) 0.070 In
 PCB Thickness Recommended (mm) 1.80 mm
 Packaging Type Tube
 Pitch - Mating Interface (in) 0.079 In
 Pitch - Mating Interface (mm) 2.00 mm
 Pitch - Term. Interface (in) 0.079 In
 Pitch - Term. Interface (mm) 2.00 mm
 Plating min: Mating (µin) 30
 Plating min: Mating (µm) 0.75

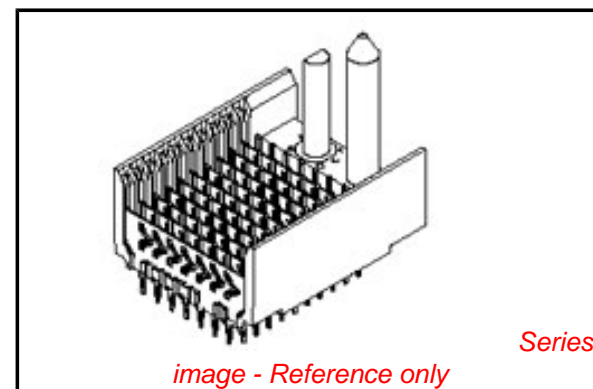


image - Reference only

EU RoHS

Not RoHS Compliant
REACH SVHC
Not Reviewed
Halogen-Free
Status
Not Reviewed

China RoHS



Need more information on product environmental compliance?

Email productcompliance@molex.com
 For a multiple part number RoHS Certificate of Compliance, [click here](#)

Please visit the [Contact Us](#) section for any non-product compliance questions.

Search Parts in this Series

[74062Series](#)

Mates With

74040 VHDM® Board-to-Board Daughtercard Receptacle

Application Tooling | FAQ

Tooling specifications and manuals are found by selecting the products below. Crimp Height Specifications are then contained in the Application Tooling Specification document.

Global

Description	Product #
Flat Rock Tooling for Pneumatic Press	0622013700
VHDM® Signal Pin Inserter Repair Tool	0622015700
VHDM® 8 Row Pin and Shield Repair Tool	0622015900
VHDM® 8 Row Shield Extraction Tool	0622016100

Plating min: Termination (μ in)	30
Plating min: Termination (μ m)	0.75
Polarized to PCB	Yes
Stackable	No
Surface Mount Compatible (SMC)	Yes
Temperature Range - Operating	-55°C to +105°C
Termination Interface: Style	Through Hole - Compliant Pin

Electrical

Current - Maximum per Contact	1A
Data Rate	3.125 Gbps
Real Signals (per 25mm)	100
Shield Type	Ground Plane Shield
Shielded	Yes
Voltage - Maximum	120V AC (RMS)/DC

Material Info

Reference - Drawing Numbers

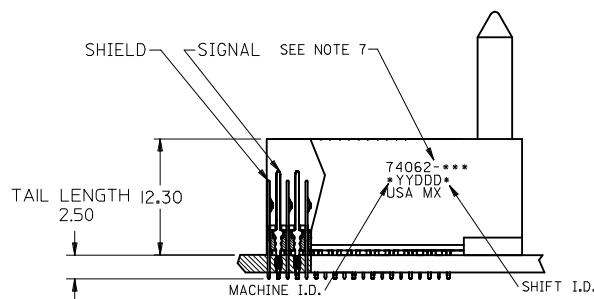
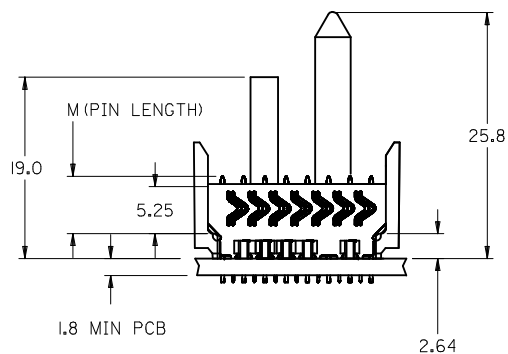
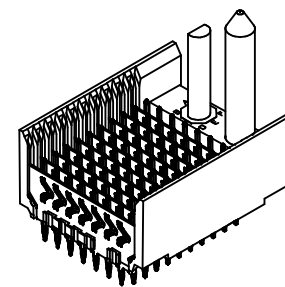
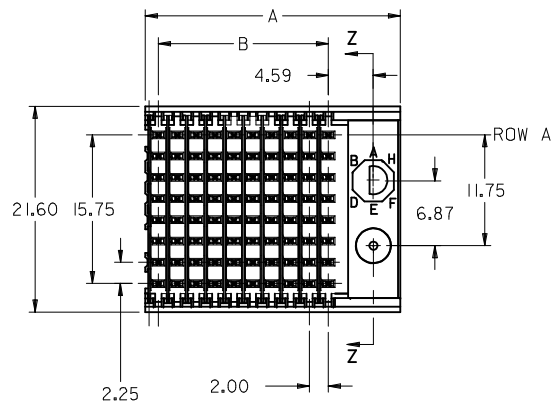
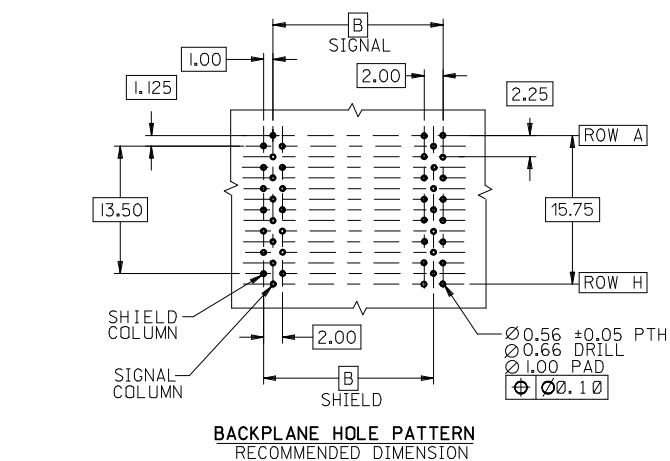
Sales Drawing	SD-74062-002
---------------	--------------

VHDM and Very High Density Metric are trademarks of Amphenol Corporation

VHDM® Insertion	<u>0622020205</u>
Module for Advanced Mate Signal Header, 8 Row by 10 Wide, 20.00mm (.787")	
VHDM® Insertion	<u>0622020209</u>
Module for Standard Shield Signal Header, 8 Row by 10 Wide, 20.00mm (.787")	

This document was generated on 05/19/2010

PLEASE CHECK WWW.MOLEX.COM FOR LATEST PART INFORMATION

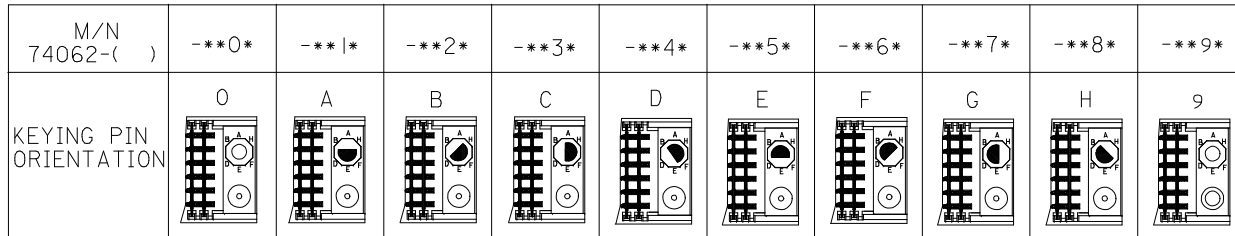


NOTES:

1. MATERIALS:
HOUSING - LIQUID CRYSTAL POLYMER (LCP),
GLASS-FILLED, UL 94V-0, COLOR: BLACK
SIGNAL PIN & SHIELD - COPPER ALLOY
2. FINISHES:
CONTACT AREA: SELECTIVE GOLD (Au)
PCB TAILS: SELECTIVE TIN/LEAD (Sn/Pb)
OR SELECTIVE MATTE TIN (Sn)
NICKEL (Ni) OVERALL.
3. THIS PART CONFORMS TO MOLEX PRODUCT
SPECIFICATION PS-74031-999
4. FOR MIXED CONTACT LENGTHS CONSULT
MOLEX FOR AVAILABILITY
5. FOR SPECIFIC MATERIAL NUMBERS & MATING
INFORMATION REFER TO SHEET 2
6. PACKAGE PER PK-74061-003
7. EITHER MARK PART WITH PART NUMBER & DATE
CODE APPROXIMATELY WHERE SHOWN OR PLACE
LABEL ON THE TUBE.

ADD NO GDE/NO KEY EC NO: UCP2009-2089 DRW:BSMART 2009/02/23 CHKD:SDANNELLEY 2009/02/23 APPR:SMILLER 2009/02/23 N	QUALITY SYMBOLS ▽=0 ▽=0	GENERAL TOLERANCES (UNLESS SPECIFIED)		DIMENSION STYLE MM ONLY	SCALE METRIC	DESIGN UNITS METRIC	THIRD ANGLE PROJECTION		
		4 PLACES ± --- ± --- 3 PLACES ± --- ± --- 2 PLACES ± --- ± --- 1 PLACE ± --- ± ---	mm INCH	DRAWN BY MWANG	DATE 1998/11/12	TITLE VHDM 8 ROW SHIELD END BACKPLANE SALES ASSEMBLY			
		ANGULAR ±1/2°		CHECKED BY JLAURX	DATE 1998/11/12	MOLEX INCORPORATED			
		DRAFT WHERE APPLICABLE MUST REMAIN WITHIN DIMENSIONS		APPROVED BY CBIXLER	DATE 1998/11/12	MATERIAL NO. SEE SHEET 2	DOCUMENT NO. SD-74062-002	SHEET NO. 1 OF 2	

SIZE C THIS DRAWING CONTAINS INFORMATION THAT IS PROPRIETARY TO MOLEX INCORPORATED AND SHOULD NOT BE USED WITHOUT WRITTEN PERMISSION

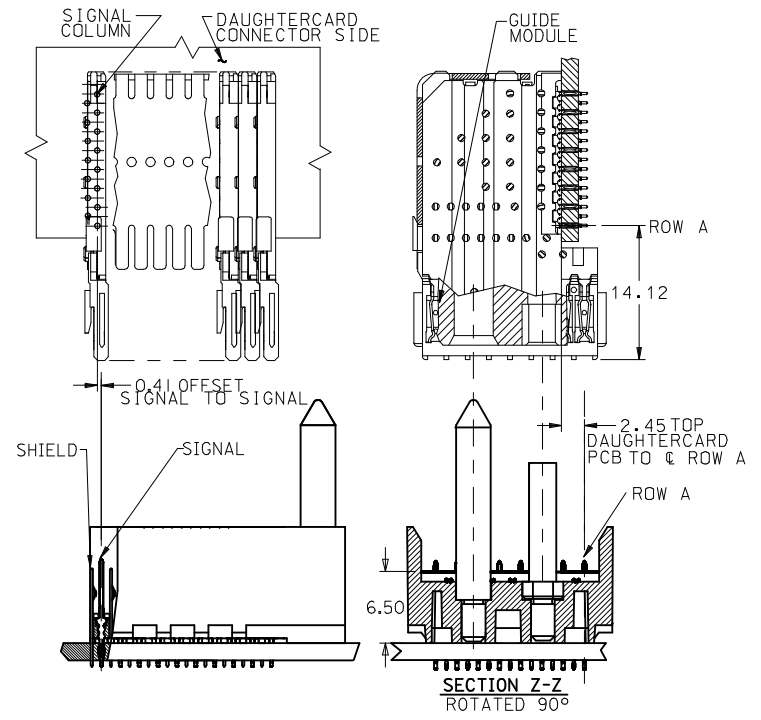


74062 - * * * *

NUMBER OF COLUMNS/PLATING
 10 = 10 COLUMN TIN/LEAD
 25 = 25 COLUMN TIN/LEAD
 90 = 10 COLUMN MATTE TIN
 85 = 25 COLUMN MATTE TIN

CONTACT LOAD
 (PIN LENGTH)
 1 & 6 = 4.75
 2 & 7 = 6.25
 3 & 8 = 4.25
 4 & 9 = 5.15

NO GUIDE PIN
 NO KEYING PIN



PART NUMBER	COLUMN	NUMBER OF SIGNAL	NUMBER OF PIN	NUMBER OF SHIELD	A	B	M	Au (um) THICKNESS	Sn (um) THICKNESS
74062-*0*1	10	80	10	10	27.00	18.00	4.75	0.76	0.76-1.52
74062-*0*6								1.27	
74062-*5*1	25	200	25	25	57.00	48.00	6.25	0.76	
74062-*5*6								1.27	
74062-*0*2	10	80	10	10	27.00	18.00	4.25	0.76	
74062-*0*7								1.27	
74062-*5*2	25	200	25	25	57.00	48.00	5.15	0.76	
74062-*5*7								1.27	
74062-*0*3	10	80	10	10	27.00	18.00	4.25	0.76	
74062-*0*8								1.27	
74062-*5*3	25	200	25	25	57.00	48.00	5.15	0.76	
74062-*5*8								1.27	
74062-*0*4	10	80	10	10	27.00	18.00	5.15	0.76	
74062-*0*9								1.27	
74062-*5*4	25	200	25	25	57.00	48.00	5.15	0.76	
74062-*5*9								1.27	

ADD NO GDE/NO KEY EC NO: UCP2009-2089 DRW:BSMART 2009/02/23 CHKD:SDANNELLEY 2009/02/23 APPR:SMILLER 2009/02/23	QUALITY SYMBOLS ▽=0 ▽=0	GENERAL TOLERANCES (UNLESS SPECIFIED) <table border="1"> <tr> <th></th> <th>mm</th> <th>INCH</th> </tr> <tr> <td>4 PLACES</td> <td>± ---</td> <td>± ---</td> </tr> <tr> <td>3 PLACES</td> <td>± ---</td> <td>± ---</td> </tr> <tr> <td>2 PLACES</td> <td>± ---</td> <td>± ---</td> </tr> <tr> <td>1 PLACE</td> <td>± ---</td> <td>± ---</td> </tr> </table>		mm	INCH	4 PLACES	± ---	± ---	3 PLACES	± ---	± ---	2 PLACES	± ---	± ---	1 PLACE	± ---	± ---	DIMENSION STYLE MM ONLY DRAWN BY DATE MWANG 1998/11/12 CHECKED BY DATE JLAURX 1998/11/12 APPROVED BY DATE CBIXLER 1998/11/12	SCALE DESIGN UNITS METRIC THIRD ANGLE PROJECTION	TITLE VHDM 8 ROW SHIELD END BACKPLANE SALES ASSEMBLY MOLEX INCORPORATED MOLEX
			mm	INCH																
		4 PLACES	± ---	± ---																
		3 PLACES	± ---	± ---																
2 PLACES	± ---	± ---																		
1 PLACE	± ---	± ---																		
DRAFT WHERE APPLICABLE MUST REMAIN WITHIN DIMENSIONS	MATERIAL NO. SEE CHART	DOCUMENT NO. SD-74062-002	SHEET NO. 2 OF 2																	
SIZE C	THIS DRAWING CONTAINS INFORMATION THAT IS PROPRIETARY TO MOLEX INCORPORATED AND SHOULD NOT BE USED WITHOUT WRITTEN PERMISSION																			
REV N																				