



Data Sheet

telephone
949 252 0522

BACK

Product Category: Filters

Series Number	Package	Description	Last Modified
754 ~ 755	Ceramic Trap	Double / Triple Peak	Jan. 01 2007

Filter FEATURES

- Ceramic Trap
- Double
- Triple Peak
- RoHS Compliant



OPERATING CONDITIONS / ELECTRICAL CHARACTERISTICS / PART NUMBER GUIDE

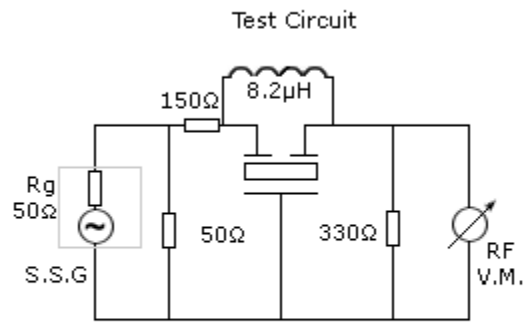
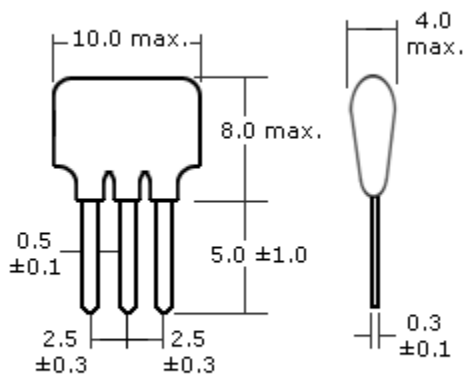
Double Ceramic Trap					
Part Number	Center Frequency (fn1)	Center Frequency (fn2)	Attenuation (at fn1)	Attenuation (at fn2)	30 dB Attenuation BW (fn1)
	MHz	MHz	dB min.	dB min.	KHz min.
754-4.47M	4.500	4.724	30	30	50
754-4.6M	4.500	6.000	30	30	50
754-5.57M	4.500	5.742	30	30	60
754-5.6M	5.500	6.000	30	30	60
754-5.65M	5.500	6.500	30	30	60
754-6.65M	6.000	6.500	30	30	70

Triple Peak Ceramic Trap							
Part Number	Center Freq. (fn1)	Center Freq. (fn2)	Center Freq. (fn3)	Attenuation (at fn1)	Attenuation (at fn2)	Attenuation (at fn3)	30 dB Attenuation BW (fn1)
	MHz	MHz	MHz	dB min.	dB min.	dB min.	KHz min.
755-0001M	5.500	6.000	6.500	30	30	30	50
755-0002M	5.500	5.742	6.500	30	30	30	50
755-0003M	5.500	5.742	6.000	30	30	30	50

REFERENCE: The level at 1MHz shall be made for a reference (0dB)

NOTE: Deviations on all parameters available. Please consult Oscilent for details.

DEFINITIONS: Click on the characteristic names above, for definitions of the particular characteristic.

PACKAGE DIMENSIONS (mm)

Oscilent Corporation - CALL **949.252.0522**
 18195 East McDermott Street . Building D . Irvine . CA 92614 . USA
 Fax: 949.252.0599 . E-Mail: Sales@Oscilent.com

Series No.: 754 to 755