

IEC Appliance Inlet C18 with Fuseholder 1-pole



C18

 70 °C

**Description**

- Panel Mount:
Screw-on mounting from front or rear-side
- 2 Functions:
Appliance Inlet Protection class II, Fuseholder for fuse-links 5 x 20 mm 1-pole
- Solder terminals or quick connect terminals Alternative: Version in protection class I [6200](#)

Approvals

- VDE License Number: 40011091
- UL License Number: E93617
- CSA License Number: 32338

Characteristics

- All single elements are already wired
- Plug removal necessary for fuse-link replacement
The fuseholder is accessible from the equipment front
With spare fuse compartment
- Qualified for use in equipment according IEC/EN 60950

Other versions on request

- Types for rivet mounting available upon request

References

[General Product Information](#)

Weblinks

[Approvals](#), [RoHS](#), [CHINA-RoHS](#), [Mating Connectors](#), [e-Store](#), [Distributor-Stock-Check](#), [Accessories](#)

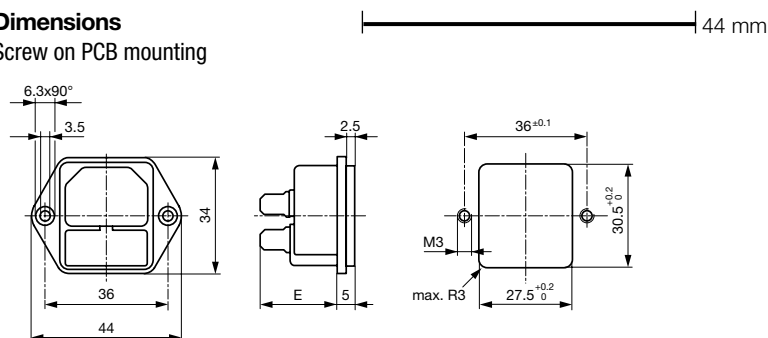
Technical Data

| | |
|---------------------------|---|
| Ratings IEC | 10 A / 250 VAC; 50 Hz |
| Ratings UL/CSA | 10 A / 250 VAC; 60 Hz |
| Dielectric Strength | > 4 kVAC between L-N (1 min/50 Hz) |
| Allowable Operation Temp. | -25 °C to 70 °C |
| Degree of Protection | from front side IP 40 acc. to IEC 60529 |
| Protection Class | Suitable for appliances with protection class 2 acc. to IEC 61140 |
| Terminal | Solder terminals or quick connect terminals, tin-plated |
| Panel Thickness s | Screw: max 6 mm Mounting screw torque max 0.5 Nm |
| Material: Housing | Thermoplastic, black, UL 94V-0 |

| | |
|-----------------------------------|--|
| Appliance Inlet | C18 acc. to IEC/EN 60320-1, UL 498, CSA C22.2 no. 42 (for cold conditions) pin-temperature 70 °C, 10 A, Protection Class 2 |
| Fuseholder | 1-pole, Shocksafe category PC2 acc. to IEC 60127-6, for fuse-links 5 x 20 mm |
| Rated Power Acceptance @ Ta 23 °C | 5 x 20: 2 W (1 pole) |
| Power Acceptance @ Ta > 23 °C | Admissible power acceptance at higher ambient temperature see derating curves |

Dimensions

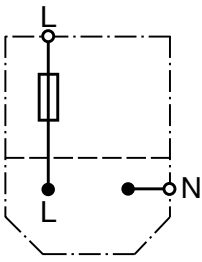
Screw on PCB mounting



E: Solder terminals 20.5 mm

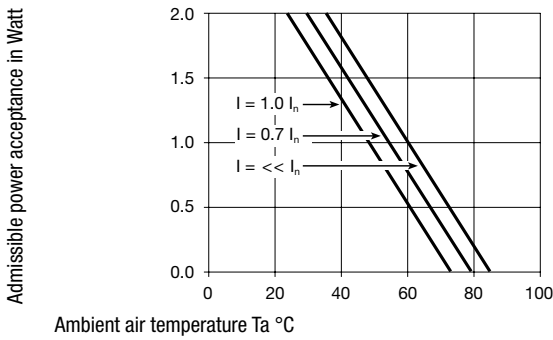
E: Quick connect terminals 23.5 mm

Diagrams

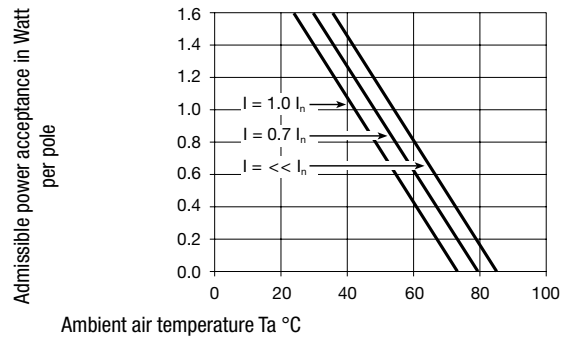


Derating Curves

1-pole



2-pole



Variants

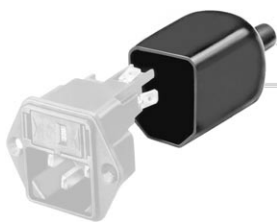
Socket and fuse-carrier included

| Protection Class | Panel mounting | Panel Thickness s [mm] | Fuseholder | Terminal | Internally wired | Order Number |
|------------------|----------------|------------------------|------------|--------------------------------------|------------------|--------------|
| 2 | Screw | - | 1-pole | Quick connect terminals 4.8 x 0.8 mm | | 6202.2200 |
| 2 | Screw | - | 1-pole | Quick connect terminals 6.3 x 0.8 mm | | 6202.2300 |
| 2 | Screw | - | 1-pole | Solder terminals 3.8 x 0.8 mm | | 6202.2100 |

Packaging unit 50 Pcs

Accessories

Description



Assorted Covers
Rear Cover

0859.0047

4311.9403

Mating Outlets/Connectors

Category / Description

[Connector Overview complete](#)



IEC Connector C15, Rewireable, Straight

0101

IEC Connector C15A, Rewireable, Straight

0102

IEC Connector C15A, Rewireable, Straight

0102-G

IEC Connector C15A, Rewireable, Angled

0112

IEC Connector C13, Rewireable, Angled

4012

[Connector further types to 6202](#)

...



Power Cord Overview complete

| | |
|---|------|
| Power Cord with IEC Connector C17, Angled | 0301 |
| Power Cord with IEC Connector C13, Angled | 0311 |
| Power Cord with IEC Connector C13, Angled | 3011 |
| Power Cord with IEC Connector C13, Angled | 3012 |
| Power Cord with IEC Connector C13, Angled | 3013 |
| Power Cord further types to 6202 | ... |