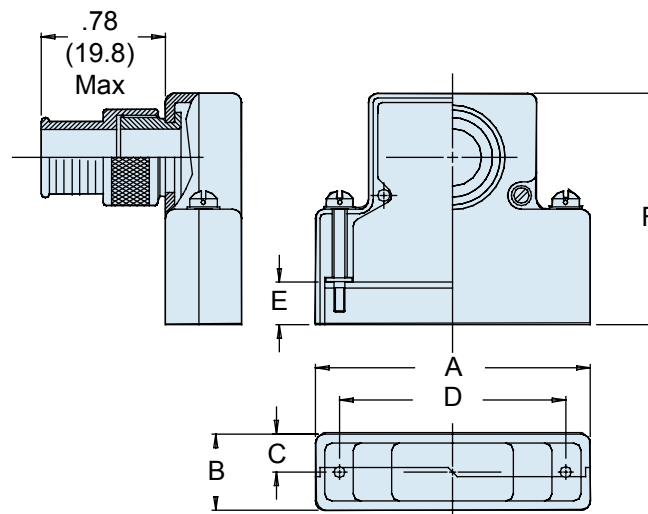
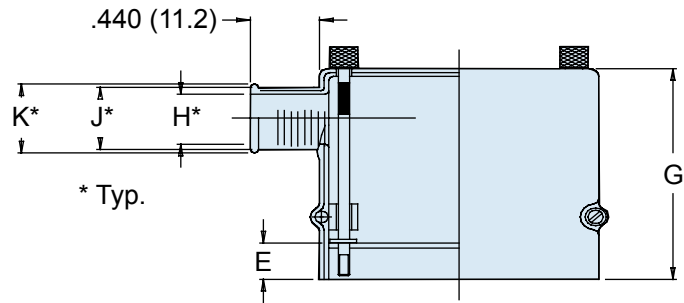
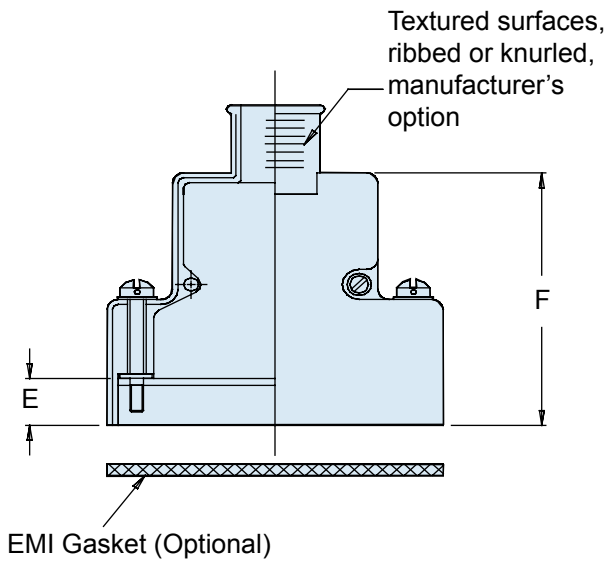
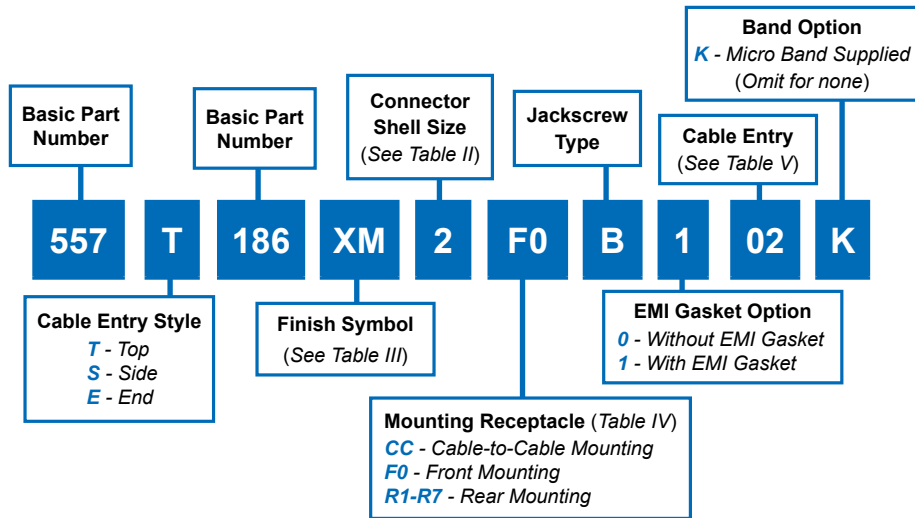


A



557-186
Composite RFI/EMI Banding Backshell
for MIL-DTL-24308 D-Subminiature Connectors



TABLE II: CONNECTOR SHELL SIZE & COMMON BACKSHELL DIMENSIONS

Shell Size	Com'l Shell Size Ref	B			D		Max Dash No. Table 3 For Entry Styles T & E
		A	Max	C Ref.	±.005	(.1)	
1	E/09	1.363 (34.6)	.624 (15.8)	.312 (7.9)	.984 (25.0)		05
2	A/15	1.691 (43.0)	.624 (15.8)	.312 (7.9)	1.312 (33.3)		05
3	B/25	2.250 (57.2)	.624 (15.8)	.312 (7.9)	1.852 (47.0)		05
4	C/37	2.879 (73.1)	.624 (15.8)	.312 (7.9)	2.500 (63.5)		05
5	D/50	2.785 (70.7)	.735 (18.7)	.375 (9.5)	2.406 (61.1)		07

TABLE IV: CABLE MOUNTING DIMENSIONS

Dash No.	Panel Thickness	E Ref.	F		G	
			Sizes 1 & 2	Sizes 3 - 5	Sizes 1 & 2	Sizes 3 - 5
CC	n/a	.174 (4.4)	1.455 (37.0)	1.673 (42.5)	1.750 (44.5)	2.000 (50.8)
F0	n/a	.343 (8.7)	1.451 (36.9)	1.671 (42.4)	1.583 (40.2)	1.831 (46.5)
R1	.031 (.8)	.247 (6.3)	1.525 (38.7)	1.745 (44.3)	1.656 (42.1)	1.904 (48.4)
R2	.047 (1.2)	.231 (5.9)	1.509 (38.3)	1.728 (43.9)	1.640 (41.7)	1.888 (48.0)
R3	.062 (1.6)	.216 (5.5)	1.500 (38.1)	1.720 (43.7)	1.625 (41.3)	1.873 (47.6)
R4	.093 (2.4)	.185 (4.7)	1.470 (37.3)	1.690 (42.9)	1.594 (40.5)	1.842 (46.8)
R5	.104 (2.6)	.174 (4.4)	1.451 (36.9)	1.671 (42.4)	1.583 (40.2)	1.831 (46.5)
R6	.125 (3.2)	.153 (3.9)	1.430 (36.3)	1.650 (41.9)	1.563 (39.7)	1.811 (46.0)
R7	.156 (4.0)	.125 (3.2)	1.400 (35.6)	1.620 (41.1)	1.531 (38.9)	1.781 (45.2)

TABLE V: CABLE ENTRY

Entry Code	H Dia		J Dia		K Dia	
01	.125	(3.2)	.250	(6.4)	.312	(7.9)
02	.250	(6.4)	.375	(9.5)	.438	(11.1)
03	.312	(7.9)	.438	(11.1)	.500	(12.7)
04	.375	(9.5)	.500	(12.7)	.562	(14.3)
05	.438	(11.1)	.562	(14.3)	.625	(15.9)
06	.500	(12.7)	.625	(15.9)	.688	(17.5)
07	.562	(14.3)	.688	(17.5)	.750	(19.1)
08	.625	(15.9)	.750	(19.1)	.812	(20.6)
09	.750	(19.1)	.875	(22.2)	.937	(23.8)
10	.875	(22.2)	1.000	(25.4)	1.062	(27.0)
11	1.000	(25.4)	1.125	(28.6)	1.188	(30.2)

TABLE III: FINISH

Symbol	Finish Description
XM	2000 Hour Corrosion Resistant Electroless Nickel
XMT	2000 Hour Corrosion Resistant Ni-PTFE, Nickel-Fluorocarbon Polymer. 1000 Hour Grey™
XW	2000 Hour Corrosion Resistant Cadmium/Olive Drab over Electroless Nickel

APPLICATION NOTES

1. Metric dimensions (mm) are in parentheses and are for reference only.
2. DO NOT USE CONNECTORS WITH FLOAT MOUNTINGS.