

PLEASE CHECK WWW.MOLEX.COM FOR LATEST PART INFORMATION

Part Number: [1120955008](#)
Status: **Active**
Overview: [brad industrial ethernet products](#)
Description: BradControl™ Class 60mm 8 Port IO module, 14 Inputs, 2 Outputs PNP

Documents:

[Drawing \(PDF\)](#) [RoHS Certificate of Compliance \(PDF\)](#)

Agency Certification

UL E200650

General

Product Family Industrial I/O Modules
 Series [112095](#)
 IP Rating IP67
 Mechanical Shock 10G, 11ms, 3 AXIS
 Overview [brad industrial ethernet products](#)
 Product Name HarshIO Ethernet
 Protocol EtherNet/IP
 Style Classic

Physical

Bus Input 5-pole Micro-Change® (M12)
 Bus Output 5-pole Micro-Change® (M12)
 Housing Width 60.00mm (2.362")
 I/O Connector 5-pole Micro-Change® (M12)
 I/O Signal Mix 14 input / 2 output
 Ports 8
 Power Input 4-pole Mini-Change®
 Power Output 4-pole Mini-Change®
 Temperature Range - Operating -25°C to +70°C
 Vibration IEC 60068-2-6 Conformance

Electrical

Current - Maximum per Contact 2A per channel
 EMC IEC 61000-6-2
 Input Delay 2.5ms
 Input Device Supply 200 mA per port at 25°C
 Input Type PNP or Dry Contact

Material Info

Old Part Number TCDEI-8C2P-D1U

Reference - Drawing Numbers

Sales Drawing SD-112095-5003

EU RoHS
ELV and RoHS
Compliant
REACH SVHC
Not Reviewed
Halogen-Free
Status
Not Reviewed

China RoHS



Need more information on product environmental compliance?

Email productcompliance@molex.com
 For a multiple part number RoHS Certificate of Compliance, [click here](#)

Please visit the [Contact Us](#) section for any non-product compliance questions.

Search Parts in this Series

[112095Series](#)



The BradControl™ IP67 I/O modules provide a reliable solution for connecting industrial controllers to I/O devices in harsh environments.

EtherNet/IP™ Discrete I/O Module

IP67 Classic Module

Features

- Scrolling 4 characters status display for IP addressing and module status
- Built-in 2-port Ethernet switch
 - 10/100 Mbps auto-sensing and crossover capability
- Built-in web server for remote monitoring, configuration and diagnostics
- Configurable I/O capability (through web interface & EtherNet/IP commands)
- Accepts M12 threaded connectors or BradConnectivity™ Ultra-Lock™ connection system
- Supports PNP & NPN input devices
- Several I/O configurations to choose from
 - TCDEM-8YYX-DIU offers 16 points of configurable I/O where the user can configure each point as either an input or output
- Visible LEDs provide maintenance personnel with the ability to easily determine I/O, module & network status
- Error-memory for diagnostics via EtherNet/IP
- Rated IP67 for harsh environments
- Designed for direct machine mount applications
- IP addressing via Bootp, DHCP or static (through web interface, push button & Modbus commands)
- Standard hole pattern allows for interchangeability with popular I/O modules
- Watchdog

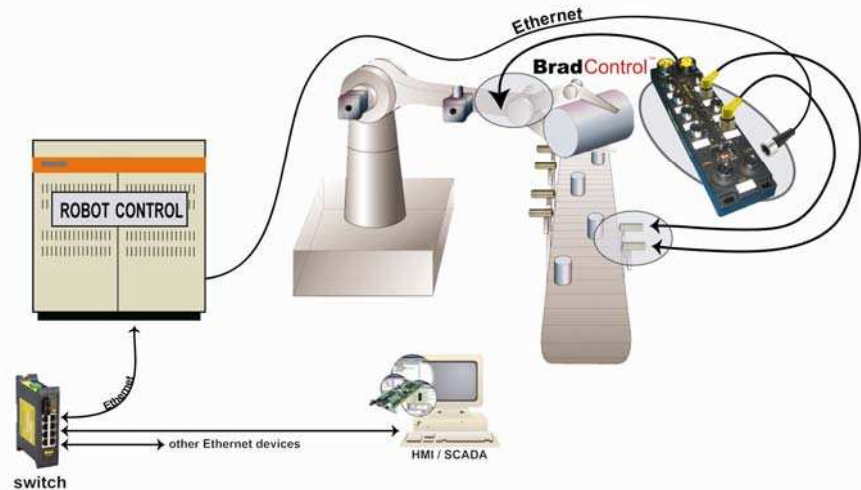
Typical Applications

- Machine tool industry
- Material handling systems
- Filling & packaging
- Steel industry



I/O Systems for Harsh Duty Environments

BradControl™ EtherNet/IP I/O modules provide a reliable solution for connecting industrial controllers to I/O devices in harsh duty environments.



Contained in an IP67 rated housing, BradControl I/O modules can be machine mounted and are able to withstand areas where liquids, dust or vibration may be present. This makes them ideally suited for many applications including material handling equipment and automated assembly machinery.

Advanced network features such as 10/100 Mbps auto-sensing, web server capabilities and a flexible IP address setup method, make configuration and operation simple. Following traditional industrial fieldbus practices, standard M12 connectors from sensing devices or actuators plug directly into the I/O module. An environmentally sealed IP67 connection between the I/O module and the Ethernet network is created using the Ultra-Lock™ connection system built into the BradControl EtherNet/IP I/O module.



LED Indicators

Module & Input Power (I):

Green –power present
Off –power not connected

Output Power (O):

Green –power present
Off –power not connected

Display Box:

Inform about Ethernet address, IO and Watchdog status

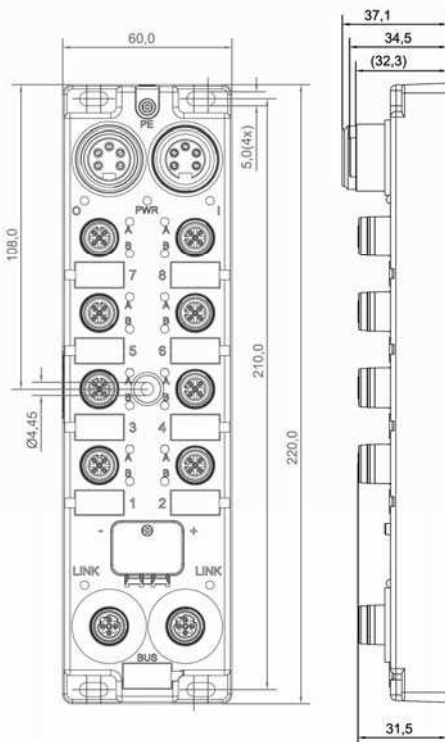
Input / Output (Ix / Ox):

Green – input/output on
Red – input/output fault
Off – input/output off

Ethernet Link (LNK 1/2):

Solid Green– Ethernet link at 100 Mbit/s without activity.
Flashing Green– Ethernet link at 100 Mbit/s with activity.

Solid Yellow– Ethernet link at 10 Mbit/s without activity.
Flashing Yellow – Ethernet link at 10 Mbit/s with activity.



Technical Information

I/O Configurations	16 inputs 14 inputs / 2 outputs 12 inputs / 4 outputs 8 inputs / 8 outputs Universal & user configurable input / output channels
I/O Connectors	Micro-Change® 5-pole M12 female BradConnectivity™ Ultra-Lock™, internally threaded
Ethernet Connectors	2 connectors 4-pole female M12 D-Coded Ultra-Lock Acting as a switch. Crossover capability
Power Connectors	Power in : male Mini-Change® 5-pole Power out : female Mini-Change 5-pole
Power Requirements	Module & input power : 24 Vdc, Module output power : 24 Vdc (13 to 28 V), 8A max per module
Communications Rate	10/100 Mbps auto-sensing, auto-detecting, full duplex
IP Address Capabilities	BOOTP (default), DHCP, static address
Protocol	EtherNet/IP
Input Type	Compatible with dry contact and PNP or NPN 3-wire switches. Electronic short circuit protection
Input Delay	2.5 ms default or configurable through Modbus messaging
Input Device Supply	200 mA per port at 25°C
Output Load Current	Maximum 2.0 A per channel Electronic short circuit protection
Maximum Switching Frequency	200 Hz
Housing Dimensions	60mm x 220mm x 20mm (2.36 x 8.66 x .78 inches)
Mounting Dimensions	37.5 mm (1.48 inches) horizontal on centers 210 mm (8.27 inches) vertical on centers Center hole
Operating Temperature	-20°C to 70°C (-4°F to 158°F)
Storage Temperature	-40°C to 85°C (-40°F to 185°F)
Protection	IP67 according to IEC 60529
Vibration	IEC 60068-2-6
Mechanical Shock	10G, 11ms, 3 axis
Approvals	CE, UL, cUL, ODVA

Ordering Information

Catalog Number	SAP Material Number	Product Description
TCDEI-8DON-D1U	1120955003	8-port, M12 Ultra-Lock, 16 input, NPN
TCDEI-8C2N-D1U	1120955004	8-port, M12 Ultra-Lock, 14 input, 2 output, NPN
TCDEI-8B4N-D1U	1120955005	8-port, M12 Ultra-Lock, 12 input, 4 output, NPN
TCDEI-888N-D1U	1120955006	8-port, M12 Ultra-Lock, 8 input, 8 output, NPN
TCDEI-8DOP-D1U	1120955007	8-port, M12 Ultra-Lock, 16 input, PNP
TCDEI-8C2P-D1U	1120955008	8-port, M12 Ultra-Lock, 14 input, 2 output, PNP
TCDEI-8B4P-D1U	1120955009	8-port, M12 Ultra-Lock, 12 input, 4 output, PNP
TCDEI-888P-D1U	1120955010	8-port, M12 Ultra-Lock, 8 input, 8 output, PNP
TCDEI-8YYX-D1U	1120955011	8-port, M12 Ultra-Lock, 16 I/O user configurable

To contact us: www.woodhead.com

Reference Number: DW2008237 Date Published: June 2008

North America: US: + 1-800-225-7724 – Canada: +1 (905) 624-6518

Europe: France: +33 (0)1 64 30 91 36 – Germany: +49 7252/94 96-0 – Italy: +39 026-6400321

United Kingdom: +44 1495 356300

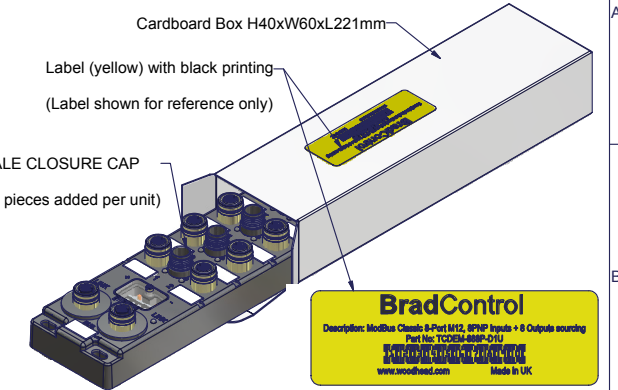
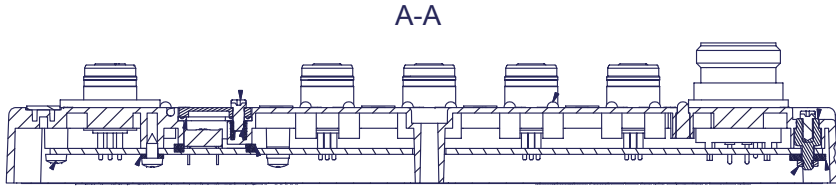
Asia: Shanghai, China: +86 21-5835-9885 – Tianjin, China: +86 22-23321717

Singapore: +65 6268-6868 – Yamato, Japan: +81 46-265-2428 – Nagoya, Japan: +81 52-221-5950

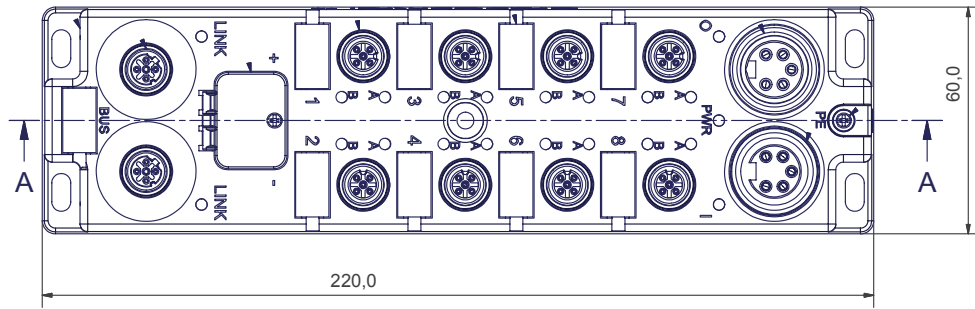
Brad[®]
from **molex**

Micro-Change & Mini-Change are registered trademarks and BradControl, BradConnectivity and Ultra-Lock are trademarks of Molex Incorporated. © 2008 Molex

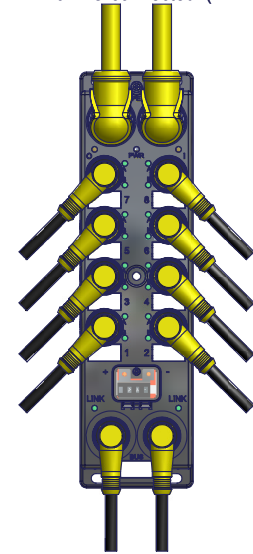
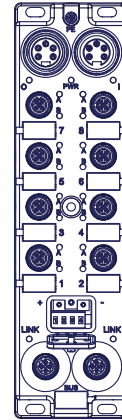
REVISIONSVERLAUF				
ZONE	REV	BEZEICHNUNG	DATUM	GENEHMIGT
-	01	INITIAL RELEASE	12.7.2006	FP



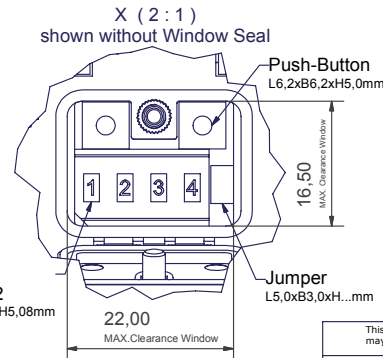
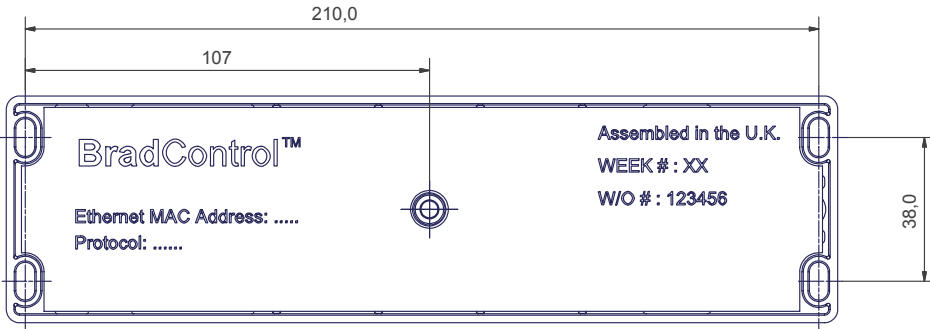
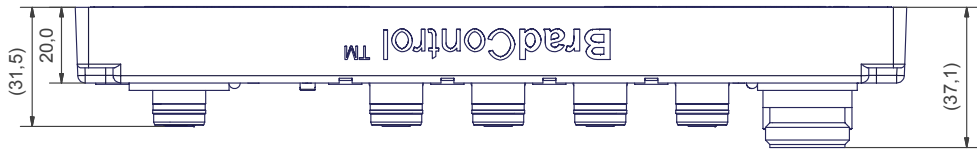
M12 MALE CLOSURE CAP
(4 loose pieces added per unit)



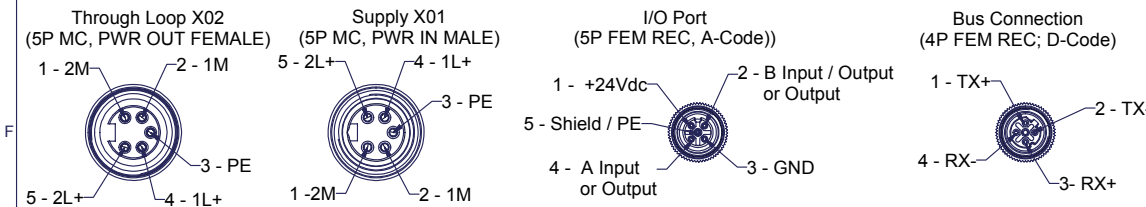
IP67 I/O connected (1:2)
Window open (105°)



- FINAL PART NUMBERS (Configured Variations):**
- TCDEI-8D0P-D1U 16 inputs PNP
 - TCDEI-8C2P-D1U 14 inputs PNP, 2 outputs sourcing (twin wired)
 - TCDEI-8B4P-D1U 12 inputs PNP, 4 outputs sourcing
 - TCDEI-888P-D1U 8 inputs PNP, 8 outputs sourcing
 - TCDEI-8D0N-D1U 16 inputs NPN
 - TCDEI-8C2N-D1U 14 inputs NP N, 2 outputs sinking (twin wired)
 - TCDEI-8B4N-D1U 12 inputs NPN, 4 outputs sinking
 - TCDEI-888N-D1U 8 inputs NPN, 8 outputs sinking
 - TCDEI-8YYX-D1U 16 User configurable input / output channels



Display
HCMS 2902
L17,78xB10,16xH5,08mm



BOM / Stückliste			
This drawing and its contents are the proprietary and confidential property of Woodhead Industries Inc. and/or its subsidiaries and may not be used or disclosed to others without the express prior written consent of Woodhead Industries Inc. and/or its subsidiaries.			
PROJECTION 1: GER	UNLESS OTHERWISE SPECIFIED X = ± 1 XX = ± 0,1 XXX = ± 0,05 Winkel = 1°	Scale 1>1	Dimensions mm
Date 12.07.2006	Name FP	Material -	Finish -
PROC 12.07.2006	CHK Norm.	IP67 Ethernet/IP I/O CLASSIC DIGITAL - 60MM HSG	
Woodhead Connectivity GmbH			
Gewerbstraße 60 75015 Bretten-Gölshausen Tel.: 07252/8496-0 Fax: 07252/8496-199			
01	SEE REV TABLE	12.07.06	FP
Rev.	Change	Date	Name
TCDEI-8			Sheet 1
Filename Y:\CAD\ETHERNET ModBus IP67 I/O\DRAWINGS\TCDEM-8.lw			A2