

PLEASE CHECK WWW.MOLEX.COM FOR LATEST PART INFORMATION

Part Number: [0885234503](#)
Status: **Active**
Overview: [fiber optic product families](#)
Description: SC/APC-to-SC/APC, Singlemode, 9/125µm/G652, Simplex, 3.00mm (.118"), Standard Fiber Optic Cable Assembly, 6.0m (19.68' ;)

Documents:

[Drawing \(PDF\)](#) [RoHS Certificate of Compliance \(PDF\)](#)

General

Product Family	Fiber Optic Assemblies
Series	88523
Connector to Connector	SC/APC-to-SC/APC
Mode	Singlemode
Overview	fiber optic product families
Product Name	SC

Physical

Cable Length	6.0m (19.68')
Cable Size	3.00mm (.118")
Fiber (Core/Cladding)	9/125µm/G652
Single Ended	No
Wire/Cable Type	Simplex

Material Info

Reference - Drawing Numbers

Sales Drawing	SD-88523-058
---------------	--------------

EU RoHS

**ELV and RoHS
Compliant**
**REACH SVHC
Not Reviewed**
**Halogen-Free
Status
Not Reviewed**

China RoHS



Need more information on product environmental compliance?

Email productcompliance@molex.com
 For a multiple part number RoHS Certificate of Compliance, [click here](#)

Please visit the [Contact Us](#) section for any non-product compliance questions.

Search Parts in this Series

[88523Series](#)

E

D

C

B

A

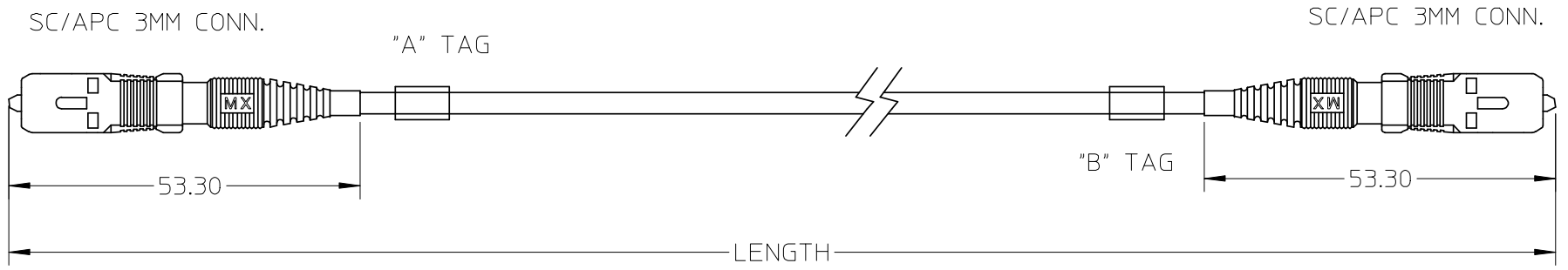
E

D

C

B

A



885234598	SC/APC-SC/APC SIM SM 3MM 1.5M	1500(+150/-0)
885234514	SC/APC-SC/APC SIM SM 3MM 15M	15000(+200/-0)
885234511	SC/APC-SC/APC SIM SM 3MM 12M	12000(+200/-0)
885234509	SC/APC-SC/APC SIM SM 3MM 10M	10000(+200/-0)
885234507	SC/APC-SC/APC SIM SM 3MM 8M	8000(+200/-0)
885234506	SC/APC-SC/APC SIM SM 3MM 7M	7000(+200/-0)
885234504	SC/APC-SC/APC SIM SM 3MM 5M	5000(+200/-0)
885234503	SC/APC-SC/APC SIM SM 3MM 6M	6000(+200/-0)
885234502	SC/APC-SC/APC SIM SM 3MM 3M	3000(+200/-0)
885234501	SC/APC-SC/APC SIM SM 3MM 2M	2000(+200/-0)
885234500	SC/APC-SC/APC SIM SM 3MM 1M	1000(+100/-0)
MX P/N	DESCRIPTION	LENGTH

NOTES:
 1. DUST CAPS ARE NOT SHOWN
 2. PER CHANNEL @ 1310nm
 IL<=0.4dB, RL>60dB

ENTER DESCRIPTION EC NO: DG2008-0155 DRWN:XPCHEN CHKD: APPR: JOWANG	2008/06/13	DESCRIPTION
	2008/06/13	
	2008/06/16	
	REV	

QUALITY SYMBOLS
▽=0
▽=0

GENERAL TOLERANCES (UNLESS SPECIFIED)	DIMENSION STYLE	
	MM ONLY	
	mm	INCH
	4 PLACES	± --- ± ---
	3 PLACES	± --- ± ---
DRAFT WHERE APPLICABLE MUST REMAIN WITHIN DIMENSIONS	2 PLACES	± --- ± ---
	1 PLACE	± --- ± ---
	ANGULAR ± --- °	

DRAWN BY	DATE
XP	2008/06/11
CHECKED BY	DATE
LISA	2008/06/11
APPROVED BY	DATE
JOHNNY	2008/06/11
MATERIAL NO.	SEE TABLE

SCALE	DESIGN UNITS	THIRD ANGLE PROJECTION
---	METRIC	
TITLE		
SC/APC-SC/APC SIM SM 3MM		
MOLEX INCORPORATED		
DOCUMENT NO.	SHEET NO.	
SD-88523-058	1 OF 1	
THIS DRAWING CONTAINS INFORMATION THAT IS PROPRIETARY TO MOLEX INCORPORATED AND SHOULD NOT BE USED WITHOUT WRITTEN PERMISSION		