

PLEASE CHECK WWW.MOLEX.COM FOR LATEST PART INFORMATION

Part Number: [0521160243](#)
Status: **Active**
Overview: [splash_proof](#)
Description: 2.50mm (.098") Pitch Splash Proof Wire-to-Wire Plug Housing for AVSS 0.3, 2 Circuits

Documents:

[3D Model](#) [Product Specification PS-52117-002 \(PDF\)](#)
[Drawing \(PDF\)](#) [RoHS Certificate of Compliance \(PDF\)](#)

General

Product Family Crimp Housings
 Series [52116](#)
 Overview [splash_proof](#)
 Product Name Splash Proof

Physical

Circuits (maximum) 2
 Color - Resin White
 Gender Plug
 Glow-Wire Compliant No
 Lock to Mating Part Yes
 Material - Resin Polyester
 Number of Rows 1
 Packaging Type Tray
 Panel Mount No
 Pitch - Mating Interface (in) 0.197 In
 Pitch - Mating Interface (mm) 5.00 mm
 Stackable No
 Temperature Range - Operating -40°C to +105°C

Electrical

Current - Maximum per Contact 3A

Material Info

Reference - Drawing Numbers

Packaging Specification SPK-52116-001
 Product Specification PS-52117-002
 Sales Drawing SD-52116-02**

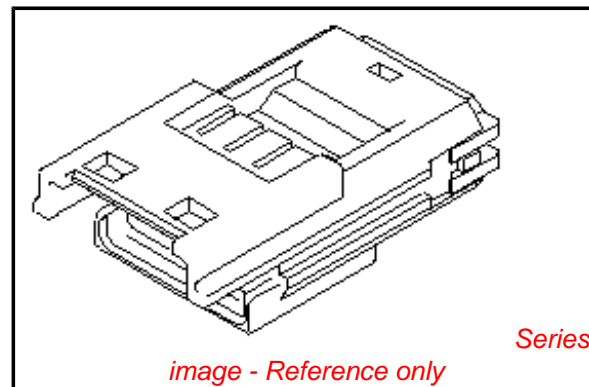


image - Reference only

EU RoHS

**ELV and RoHS
 Compliant**
REACH SVHC
 Not Reviewed
**Halogen-Free
 Status**

China RoHS



**Need more information on product
 environmental compliance?**

Email productcompliance@molex.com
 For a multiple part number RoHS Certificate of
 Compliance, [click here](#)

Please visit the [Contact Us](#) section for any
 non-product compliance questions.

Search Parts in this Series

[52116Series](#)

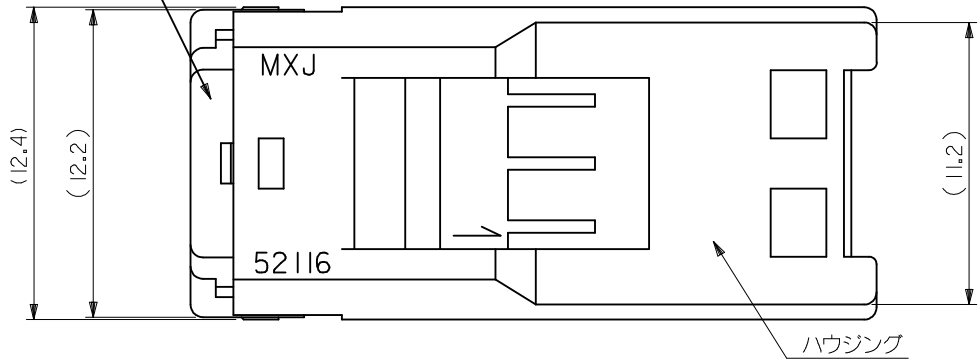
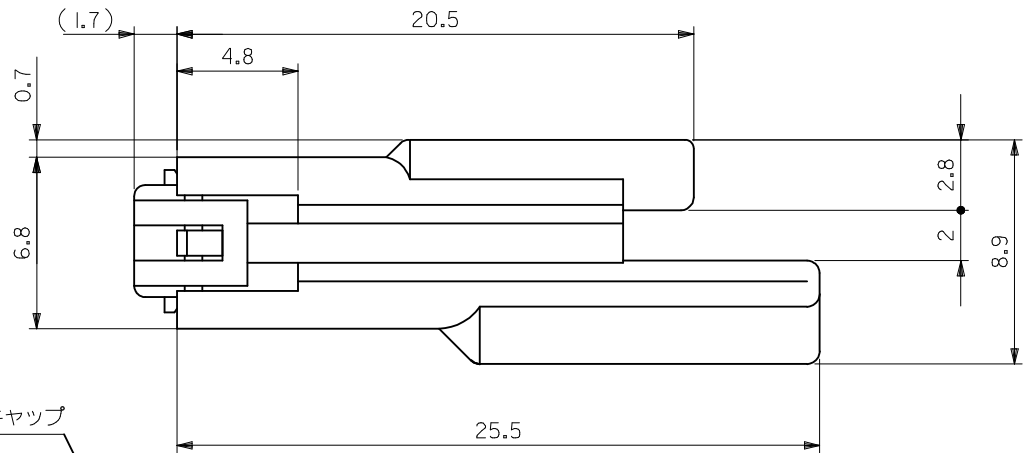
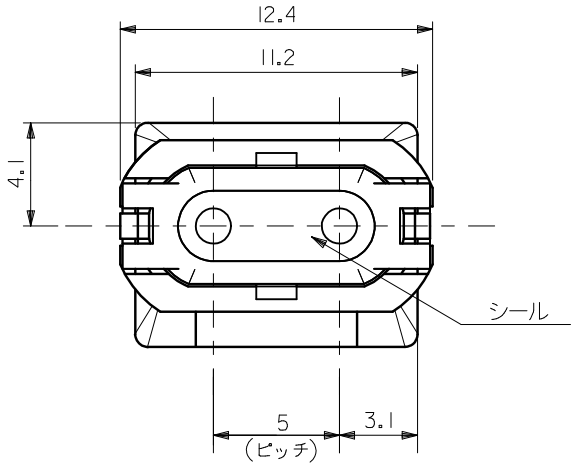
Mates With

[52117](#)

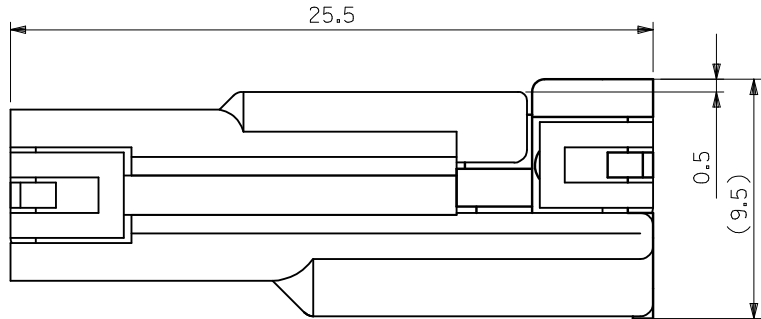
Use With

[50038](#)

10 9 8 7 6 5 4 3 2 1



- 1.適合ターミナル: 50038-8*00
APPLICABLE TERMINAL: 50038-8*00
- 2.材料
MATERIAL
キャップ: ポリエステル (ガラス入り)
CAP: POLYESTER (GLASS FILLED)
ハウジング: ポリエステル (ガラス入り)
HOUSING: POLYESTER (GLASS FILLED)
シール: シリコンゴム
SEAL: SILICONE RUBBER
- 3.嵌合相手: 52117-02**
MATE WITH: 52117-02**
- 4.表の色はハウジング色を表す.
HOUSING COLOR IS SHOWN IN CHART
- 5.ELV及びRoHS適合品
ELV AND RoHS COMPLIANT



嵌合状態図
FULLY MATED CONDITION

| | | |
|---------------------------------|---------|------------------|
| AVSS0.3, AWG#20-22 | 白 WHITE | 52116-0243 |
| AVS0.3, AWG#20-22 | 赤 RED | 52116-0242 |
| AVS0.3, AWG#20-22 | 黒 BLACK | 52116-0241 |
| AVS0.3, AWG#20-22 | 白 WHITE | 52116-0240 |
| 適応電線範囲 APPLICABLE WIRE RANGE | | 色 COLOR ENG. NO. |

| | | | | | | | | | | |
|---------|---------------------|---------------------------|------------------------|------------------------------|-------------|---------------------------------------|--|---|----------------------------|---|
| REVISED | EC NO: JTR2009-0109 | DRWN: MSHIBATA 2009/03/31 | CHKD: TAITO 2009/03/31 | APPR: AKANESHIIGE 2009/04/03 | DESCRIPTION | GENERAL TOLERANCES (UNLESS SPECIFIED) | DIMENSION STYLE | SCALE | DESIGN UNITS | THIRD ANGLE PROJECTION |
| | | | | | | 10 UNDER ±0.2 | MM ONLY | 5:1 | METRIC | ⊙ □ |
| | | | | | | 10 OVER 30 UNDER ±0.25 | ANGULAR ±3 ° | DRAWN BY: Y. ASHIZAWA | DATE: 1988/7/8 | TITLE: 2.5 SPLASH PROOF CONN. PLUG HSG ASSY W/POSITIVE LOCK |
| | | | | | | 30 OVER ±0.3 | DRAFT WHERE APPLICABLE MUST REMAIN WITHIN DIMENSIONS | CHECKED BY: M. SAKANO | DATE: 1988/7/8 | MOLEX INCORPORATED |
| | | | | | | | APPROVED BY: M. ENOMOTO | DATE: 1988/7/8 | DOCUMENT NO. SD-52116-02** | SHEET NO. 1 OF 1 |
| | | | | | | | MATERIAL NO. | THIS DRAWING CONTAINS INFORMATION THAT IS PROPRIETARY TO MOLEX INCORPORATED AND SHOULD NOT BE USED WITHOUT WRITTEN PERMISSION | | |