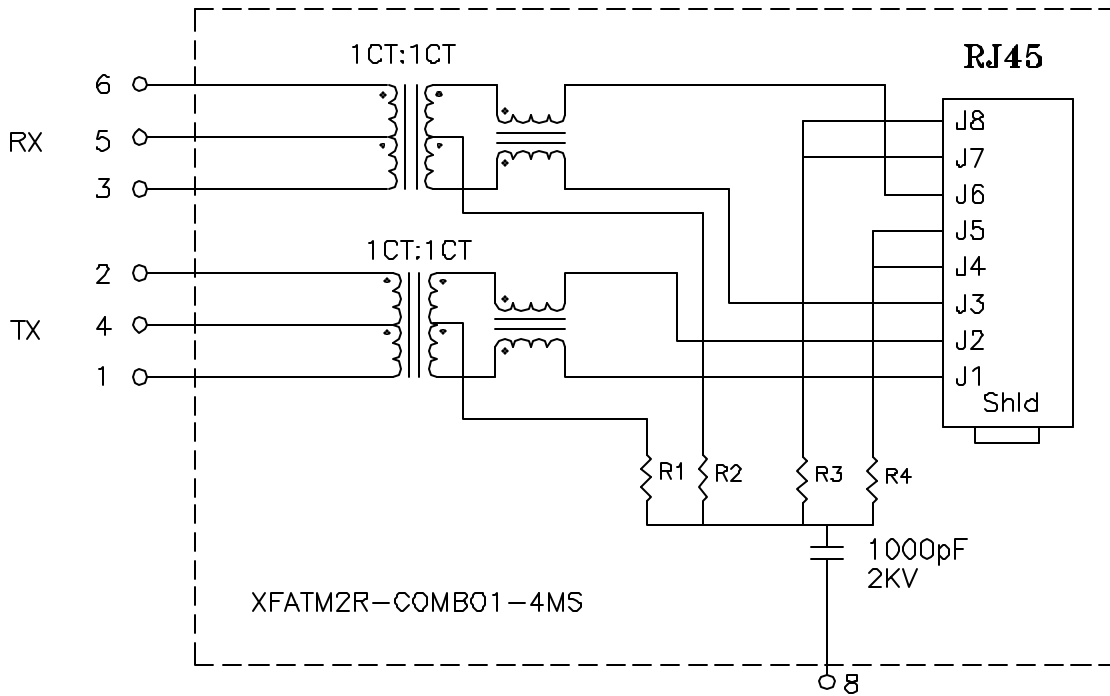


Schematic:



R1,R2,R3,R4: 75 ±5% OHMS

Electrical Specifications: @25°C

Isolation Voltage: 1500 Vac
 Isolation Voltage: 500 Vac (1+4+2 to 3+5+6)
 UTP SIDE OCL: 350uH Min @100KHz 100mV 8mADC
 Q: 16 Min @100KHz 100mV
 Rise Time (10-90%): 2.5ns Typ
 Insertion Loss (100KHz-100MHz): -1.2dB Max
 Return Loss: -18dB Min @1MHz - 30MHz
 Return Loss: -12dB Min @60MHz - 80MHz
 Crosstalk: 40dB Typ @1MHz to 100MHz
 Common Mode to Differential Mode Rejection:
 30MHz-100MHz -35dB Typ (Tx) / -35dB Typ (Rx)

Notes:

1. Solderability: Leads shall meet MIL-STD-202G, Method 208H for solderability.
2. Flammability: UL94V-0
3. ASTM oxygen index: > 28%
4. Insulation System: Class F 155°C, UL file E151556
5. Operating Temperature Range: All listed parameters are to be within tolerance from -40°C to +85°C
6. Storage Temperature Range: -55°C to +125°C
7. Aqueous wash compatible
8. Electrical and mechanical specifications 100% tested
9. RoHS Compliant Component

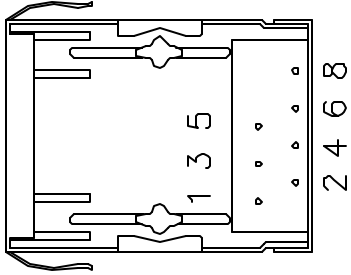
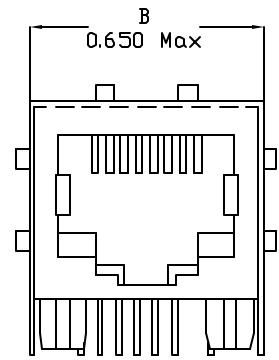
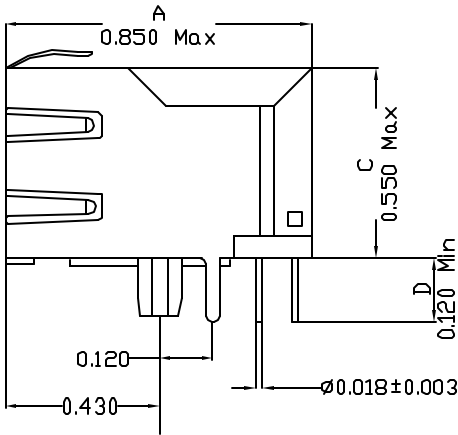
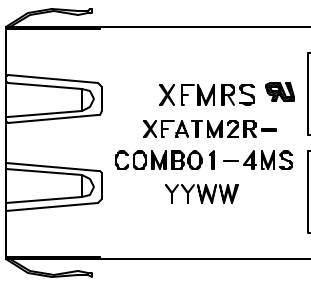
DOC. REV: A/6

XFMRs Inc. www.XFMRs.com UNLESS OTHERWISE SPECIFIED TOLERANCES: .xxx ±0.010 Dimensions in Inch SHEET 1 OF 2	Title: SINGLE PORT COMBO		
	P/N: XFATM2R-COMBO1-4MS		REV. A
DWN.	Juan Mao	Jul-01-08	
CHK.	YK Liao	Jul-01-08	
APP.	BW	Jul-01-08	

PROPRIETARY:

Document is the property of XFMRs Group & is not allowed to be duplicated without authorization.

Mechanical Dimensions:

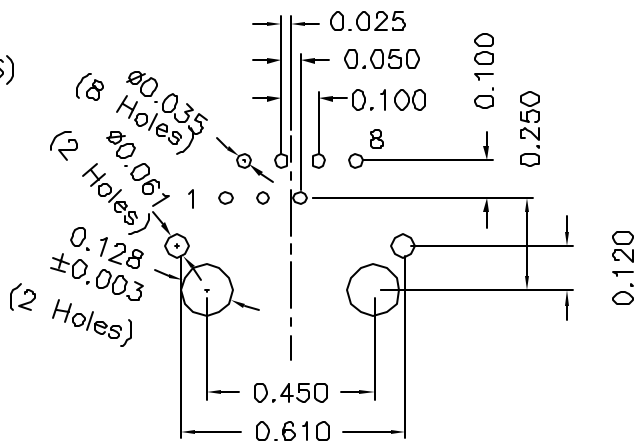


(BOTTOM VIEW)

*Remove Pin#7

Mounting Pattern:

(FOR COMBO1-4MS)
(COMP SIDE)



DOC. REV: A/6

XFMRs Inc. www.XFMRS.com	Title: Mechanical Dimensions For COMBO1-4MS Series		
	UNLESS OTHERWISE SPECIFIED TOLERANCES: .xxx ±0.010 Dimensions in Inch	P/N: XFATM2R-COMBO1-4MS	REV. A
SHEET 2 OF 2	APP. BW	Jul-01-08	Jul-01-08

PROPRIETARY:

Document is the property of XFMRs Group & is not allowed to be duplicated without authorization.