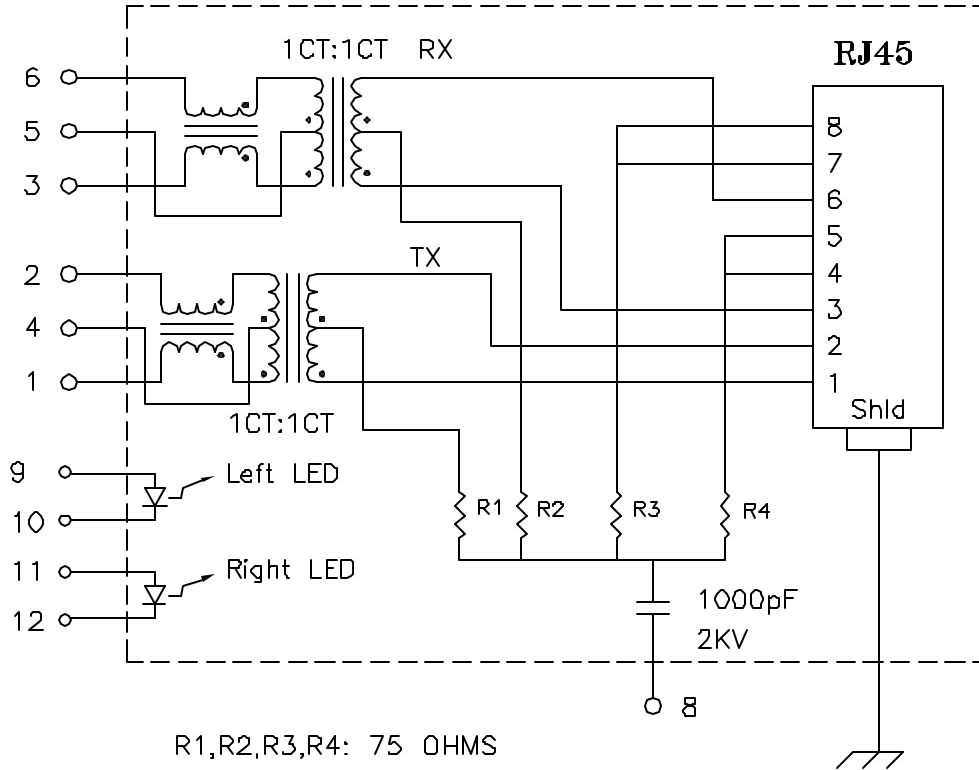


Schematic:



R1,R2,R3,R4: 75 OHMS

Electrical Specifications: @25°C

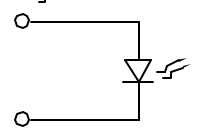
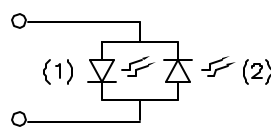
- Isolation Voltage: 1500 Vrms (Input to Output)
- Isolation Voltage: 500 Vrms (P1+2+3 to P4+5+6)
- Turns Ratio: TX 1CT:1CT ±3% RX 1CT:1CT ±3%
- CABLE SIDE OCL: 350uH Minimum @100KHz 100mV 8mADC
- Insertion Loss (300KHz-100MHz): -1.0dB Maximum
- Return Loss: @30MHz -20dB Minimum
- @80MHz -15dB Typ

Complete the Combo P/N as follows:

Replace 'x' & 'u' in the part number with one of the LED color letters:
 Y=Yellow
 G=Green
 A=Amber
 R=Red

'x' = Left LED Color
 'u' = Right LED Color

C=Green(1)/Amber(2) Bicolor
 D=Amber(1)/Green(2) Bicolor
 M=Green(1)/Yellow(2) Bicolor
 N=Yellow(1)/Green(2) Bicolor
 P=Red(1)/Green(2) Bicolor
 Q=Green(1)/Red(2) Bicolor

Single Color LED:  Bi-Color LED: 

Notes:

1. Solderability: Leads shall meet MIL-STD-202G, Method 208H for solderability.
2. Flammability: UL94V-0
3. ASTM oxygen index: > 28%
4. Insulation System: Class F 155°C. UL file E151556
5. Operating Temperature Range: All listed parameters are to be within tolerance from 0°C to +70°C
6. Storage Temperature Range: -55°C to +125°C
7. Aqueous wash compatible
8. Electrical and mechanical specifications 100% tested
9. RoHS Compliant Component

DOC. REV: A/2

XFMRs Inc. www.XFMRs.com		Title: SINGLE PORT COMBO	
UNLESS OTHERWISE SPECIFIED TOLERANCES: .xxx ±0.010		P/N: XFATM11F-CLxu1-4MS	REV. A
Dimensions in Inch	DWN.	Juan Mao	May-07-08
	CHK.	YK Liao	May-07-08
SHEET 1 OF 2	APP.	Joe Huff	May-07-08

PROPRIETARY:

Document is the property of XFMRs Group & is not allowed to be duplicated without authorization.

