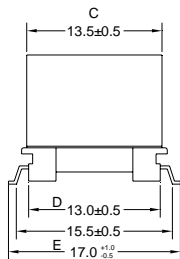
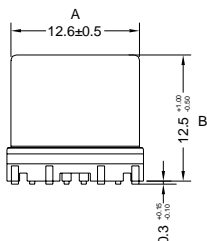
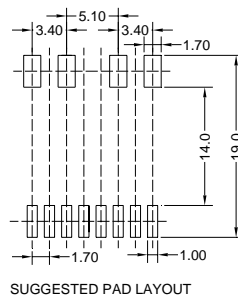
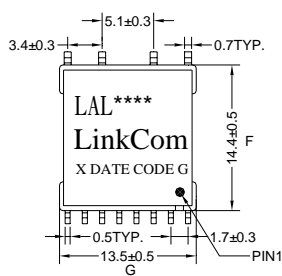


Broadband Access Transformer

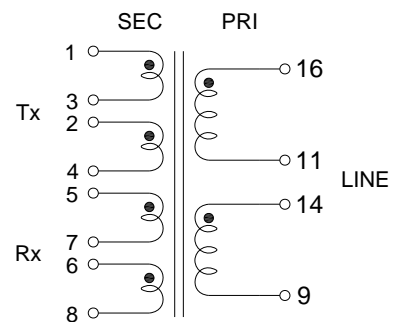
- Designed to meet UL 60950 and EN 60950 requirements for supplementary insulation and 250V working voltage
- RoHS Compliant
- Excellent THD performance
- Operating Temperature -40°C to 85°C

Electrical Specifications @25°C	
OCL:	PIN 16-9= 400uH ±5% @ 10KHz/0.1V/Ser.
Leakage Inductance:	PIN 1-4= 1.0uH Max. @ 10MHz/0.1V
	PIN 5-8= 2.5uH Max. PIN 16-9= 2.5uH Max.
Interwinding Capacitance	PIN 1-16= 40 pF Max. @ 100KHz/0.1V
	PIN 9-16= 100 pF Max. @ 100KHz/0.1V
T.H.D	PIN 16-9 to PIN 1-4= -80dB Max. @ 30KHz/3.162V
	PIN 16-9 to PIN 5-8= -80dB Max. @ 30KHz/3.162V
D.C.R:	PIN 1-3 = 70 mohm Max. PIN 2-4 = 70 mohm Max.
	PIN 5-7 = 290 mohm Max. PIN 6-8 = 290 mohm Max.
	PIN 14-9 = 575 mohm Max. PIN 16-11 = 575 mohm Max.
Hi-POT :	PRI. – SEC. =1875VAC/60Hz/2Seconds/1mA
	PIN16-9 : PIN 1-4 = 4.2±2% :1
Turn Ratio:	PIN16-9 : PIN 5-8 = 1±2% :1

Dimensions (Units: mm)



Schematic



Mark

- 1.LAL ****----LAL2061
2. X----PRODUCT LINE
3. DATE CODE----YYWW
4. G----RoHS