



Data Sheet



Product Category: IF SAW Filter

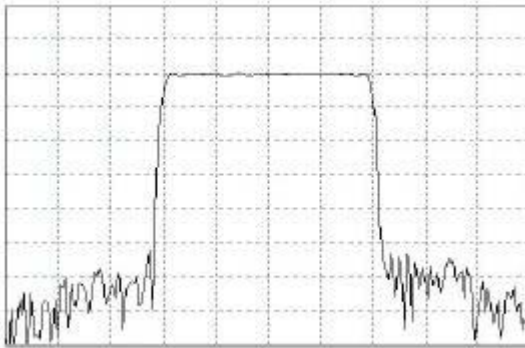
Part Number	Package	Application	Last Modified
820-IF70.0M-T	20.2 x 12.6 Thru Hole	Base Station & Repeater	Jan. 01, 2007

TYPE :
70.0 MHz Bandpass Filter
19.5 MHz Bandwidth

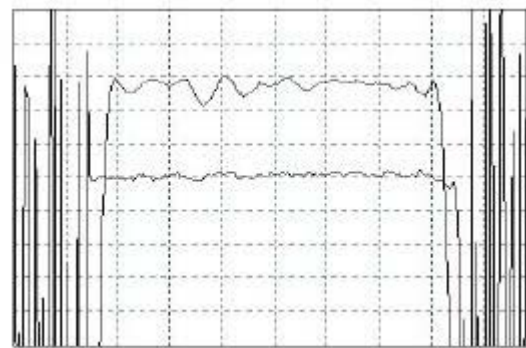
PART NUMBER :
820-IF70.0M-T



FREQUENCY CHARACTERISTICS



Horizontal : 5.0 MHz/Div
Vertical : 10 dB/Div



Horizontal : 3.0 MHz/Div
Vertical : 1.0 dB/Div
Vertical : 100 ns/Div

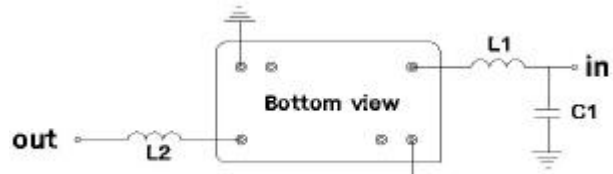
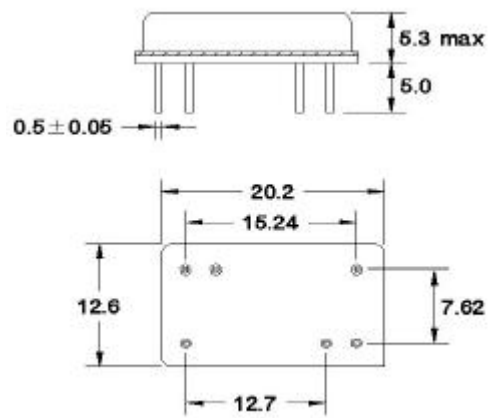
OPERATING CONDITIONS / ELECTRICAL CHARACTERISTICS

PARAMETERS	Minimum	Typical	Maximum	Units
Center Frequency	69.94	70	70.06	MHz
Insertion Loss	-	24.5	26.0	dB
1dB Bandwidth	19.0	19.1	-	MHz
3dB Bandwidth	19.5	19.57	-	MHz
40dB Bandwidth	-	21.43	21.7	MHz
Passband Ripple	-	0.85	1.0	dB
Group Delay Variation	-	25	50	nsec
Absolute Delay	-	1.98	-	µsec
Ultimate Rejection	50	55	-	dB
Substrate Material	-	LN	-	-
Ambient Temperature	-	25	-	°C

* Custom SAW IF Filters available. Contact Oscilent for assistance.

PACKAGE OUTLINE (mm)

TEST FIXTURE



$L1 = 220\text{nH}$ $C1 = 43\text{pF}$
 $L2 = 120\text{nH}$
 Source/Load Impedance = 50 ohms

Oscilent Corporation - CALL **949.252.0522**

Part No.: 820-IF70.0M-T

18195 East McDermott Street, Building D, Irvine, CA 92614, USA
 Fax: 949.252.0599, E-Mail: Sales@Oscilent.com