

**PLEASE CHECK WWW.MOLEX.COM FOR LATEST PART INFORMATION**

**Part Number:** [0737711101](#)  
**Status:** **Active**  
**Overview:** [hdm](#)  
**Description:** 2.00mm (.079") Pitch HDM® Board-to-Board Stacking Header, High Rise Vertical, SMC, Press-Fit, Guide Pin Option, 144 Circuits

**Documents:**

[3D Model](#) [Product Specification PS-73780-999 \(PDF\)](#)  
[Drawing \(PDF\)](#) [RoHS Certificate of Compliance \(PDF\)](#)

**Agency Certification**

CSA LR19980  
 UL E29179

**General**

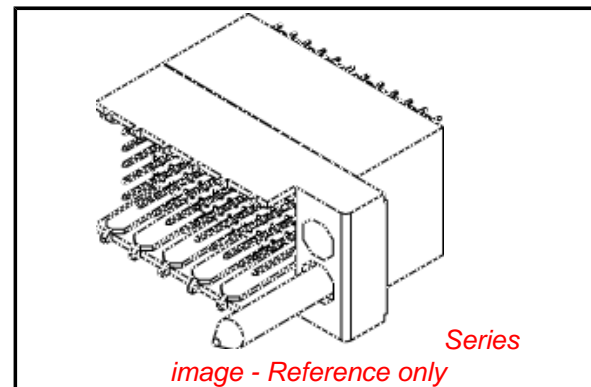
Product Family Backplane Connectors  
 Series [73771](#)  
 Application Midplane  
 Component Type PCB Header  
 Overview [hdm](#)  
 Product Name HDM®  
 Style N/A

**Physical**

Circuits (Loaded) 144  
 Circuits (maximum) 144  
 Color - Resin Black  
 Durability (mating cycles max) 250  
 Flammability 94V-0  
 Keying to Mating Part Yes  
 Material - Metal Phosphor Bronze, Stainless Steel  
 Material - Plating Mating Gold  
 Material - Plating Termination Tin-Lead  
 Material - Resin High Temperature Thermoplastic  
 Number of Columns 24  
 Number of Pairs Open Pin Field  
 Number of Rows 6  
 Orientation Vertical  
 PCB Retention Yes  
 PCB Thickness Recommended (in) 0.098 In  
 PCB Thickness Recommended (mm) 2.50 mm  
 Packaging Type Tube  
 Pitch - Mating Interface (in) 0.079 In  
 Pitch - Mating Interface (mm) 2.00 mm  
 Plating min: Mating (µin) 30  
 Plating min: Mating (µm) 0.75  
 Plating min: Termination (µin) 15  
 Plating min: Termination (µm) 0.375  
 Polarized to PCB No  
 Surface Mount Compatible (SMC) Yes  
 Temperature Range - Operating -55°C to +105°C  
 Termination Interface: Style Through Hole - Compliant Pin

**Electrical**

Current - Maximum per Contact 1A  
 Data Rate 1.0 Gbps



**EU RoHS**

**RoHS Compliant by Exemption**  
**REACH SVHC Not Reviewed**  
**Halogen-Free Status Not Reviewed**

**China RoHS**



**Need more information on product environmental compliance?**

Email [productcompliance@molex.com](mailto:productcompliance@molex.com)  
 For a multiple part number RoHS Certificate of Compliance, [click here](#)

Please visit the [Contact Us](#) section for any non-product compliance questions.

**Search Parts in this Series**

[73771Series](#)

**Mates With**

[73632 HDM PLUS® Board-to-Board Daughterboard Receptacle](#), [73780 HDM® Board-to-Board Daughtercard Receptacle](#)

**Application Tooling | FAQ**

*Tooling specifications and manuals are found by selecting the products below. Crimp Height Specifications are then contained in the Application Tooling Specification document.*

**Global**

Description	Product #
HDM® Backplane Insertion Signal Contact Tool	<a href="#">0621001400</a>
HDM® Backplane Insertion Head for 144 Positions Extraction Tool	<a href="#">0622005703</a> <a href="#">0621001000</a>

Voltage - Maximum

250V AC

**Material Info**

**Reference - Drawing Numbers**

Packaging Specification

PK-70873-0870

Product Specification

PS-73780-999

Sales Drawing

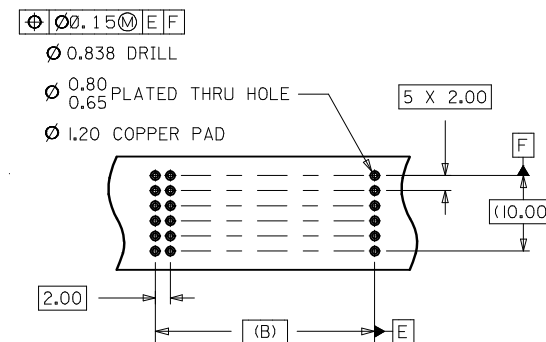
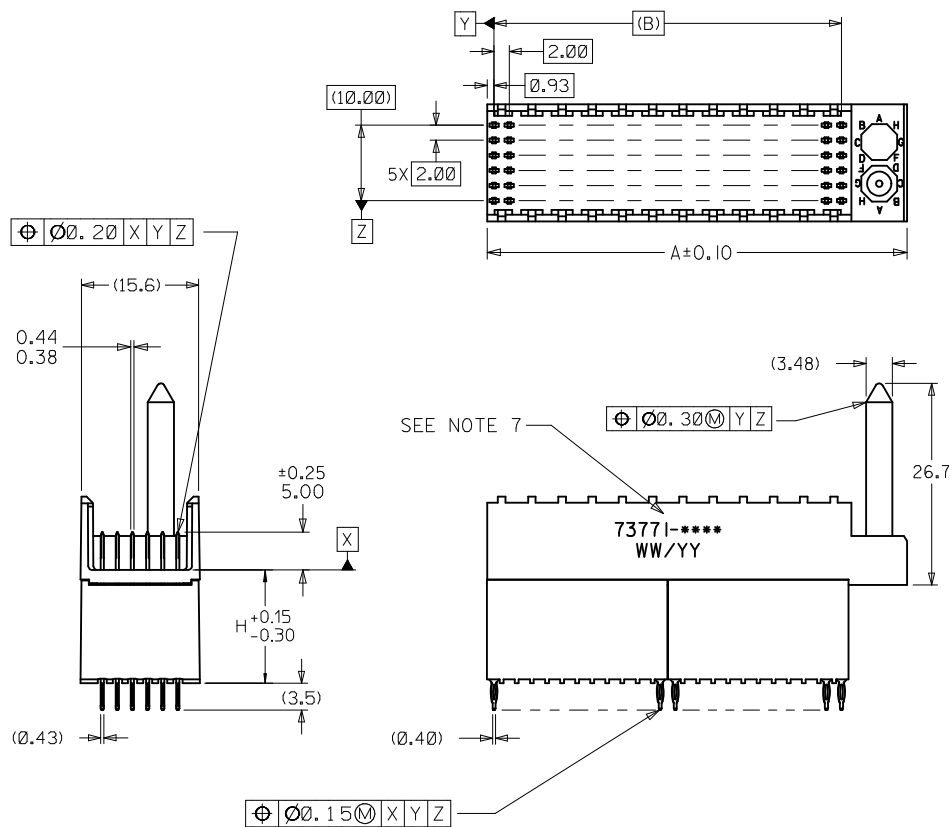
SD-73771-001

HDM and High Density Metric are trademarks of Amphenol Corporation

This document was generated on 05/14/2010

**PLEASE CHECK [WWW.MOLEX.COM](http://WWW.MOLEX.COM) FOR LATEST PART INFORMATION**

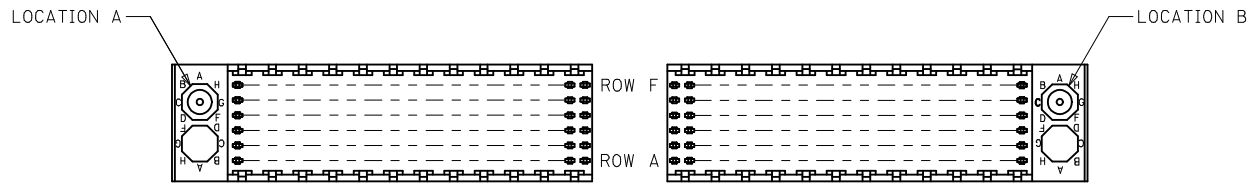
ASSEMBLY P/N	TOTAL NUMBER OF SIGNAL CONTACTS	DIM "A"	DIM "B"	DIM "H"
73771-01**	72	31.6	22.00	15.05
73771-02**	72	31.6	22.00	6.05
73771-03**	72	31.6	22.00	10.05
73771-11**	144	55.6	46.00	15.05
73771-12**	144	55.6	46.00	6.05
73771-13**	144	55.6	46.00	10.05



NOTES:

1. MATERIALS: HOUSING-LIQUID CRYSTAL POLYMER (LCP), GLASS FILLED, UL 94V-0, COLOR: BLACK, TERMINAL-PHOSPHOR BRONZE
2. FINISH: SELECTIVE GOLD (Au) IN CONTACT AREA, 0.00076 mm MINIMUM THICKNESS; SELECTIVE TIN/LEAD (Sn/Pb) ON TAILS, NICKEL (Ni) OVERALL.
3. THIS PART CONFORMS TO MOLEX PRODUCT SPECIFICATION PS-73780-999.
4. THIS PART CONFORMS TO COSMETIC SPECIFICATION PS-45499-002 CLASS C.
5. RECOMMENDED PCB THICKNESS: 2.50 MM.
6. PACKAGE PER PK-70873-0870, PK-70873-0871 OR PK-70873-0875.
7. PART MARKED WITH PART NUMBER AND DATE CODE APPROXIMATELY WHERE SHOWN.

REVISE H DIM TOL IEC NO: UCP2008-3186 DRWN:SDANWELLEY 2008/07/29 CHK:DMSIBARRA 2008/09/11 APPR:SMILLER 2008/09/16	QUALITY SYMBOLS ▽=0 ▽=0	GENERAL TOLERANCES (UNLESS SPECIFIED)		DIMENSION STYLE <b>MM ONLY</b>	SCALE <b>2:1</b>	DESIGN UNITS <b>METRIC</b>	THIRD ANGLE PROJECTION
		4 PLACES ± --- ± --- 3 PLACES ± --- ± --- 2 PLACES ± 0.05 ± --- 1 PLACE ± 0.10 ± --- ANGULAR ± 1/2°	mm INCH ± --- ± --- ± 0.05 ± --- ± 0.10 ± ---	DRAWN BY JB INGHAM	DATE 1997/03/07	CHECKED BY SREED	DATE 1997/03/07
DRAFT WHERE APPLICABLE MUST REMAIN WITHIN DIMENSIONS		MATERIAL NO. <b>SEE CHART</b>		APPROVED BY CB1XLER		DATE 1997/03/07	
				MOLEX MOLEX INCORPORATED		DOCUMENT NO. <b>SD-73771-001</b>	
				SIZE <b>C</b>		SHEET NO. <b>1 OF 2</b>	
THIS DRAWING CONTAINS INFORMATION THAT IS PROPRIETARY TO MOLEX INCORPORATED AND SHOULD NOT BE USED WITHOUT WRITTEN PERMISSION							



REF. MATERIAL NUMBER 73771-1100  
GUIDE PIN IS IN LOCATION A

REF. MATERIAL NUMBER 73771-1101  
GUIDE PIN IS IN LOCATION B

**MATERIAL NUMBER ASSIGNMENT**

73771- \* \* \* \*

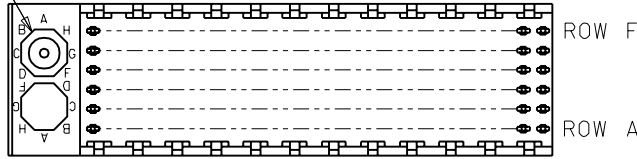
0 = 72-CIRCUIT  
1 = 144-CIRCUIT

1 = 15.05 STACKING HEIGHT  
2 = 6.05 STACKING HEIGHT  
3 = 10.05 STACKING HEIGHT

NUMBER	GUIDE POST LOCATION
00	A
01	B
02	N/A

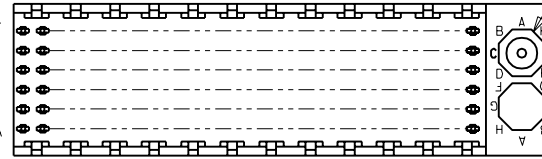
SEE SHEET 1 EC NO: UCP2008-3186 DRWN:SDANWELLY 2008/07/29 CHK:DMSTBARRA 2008/09/11 APPR:SMILLER 2008/09/16	QUALITY SYMBOLS ▽=0 ▽=0	GENERAL TOLERANCES (UNLESS SPECIFIED) <table border="1"> <thead> <tr> <th></th> <th>mm</th> <th>INCH</th> </tr> </thead> <tbody> <tr> <td>4 PLACES</td> <td>± .---</td> <td>± .---</td> </tr> <tr> <td>3 PLACES</td> <td>± .---</td> <td>± .---</td> </tr> <tr> <td>2 PLACES</td> <td>± 0.05</td> <td>± .---</td> </tr> <tr> <td>1 PLACE</td> <td>± 0.10</td> <td>± .---</td> </tr> </tbody> </table> ANGULAR ±1/2°		mm	INCH	4 PLACES	± .---	± .---	3 PLACES	± .---	± .---	2 PLACES	± 0.05	± .---	1 PLACE	± 0.10	± .---	DIMENSION STYLE <b>MM ONLY</b> DRAWN BY DATE JB INGHAM 1997/03/07 CHECKED BY DATE SREED 1997/03/07 APPROVED BY DATE CBIXLER 1997/03/07	SCALE <b>1:1</b> DESIGN UNITS <b>METRIC</b> THIRD ANGLE PROJECTION	TITLE <b>SALES ASSEMBLY HDM                  BACKPLANE STACKING MOD                  CLOSED END OPT PRESSFIT</b>
		mm	INCH																	
	4 PLACES	± .---	± .---																	
	3 PLACES	± .---	± .---																	
2 PLACES	± 0.05	± .---																		
1 PLACE	± 0.10	± .---																		
MATERIAL NO. <b>SEE TABLE</b>	DOCUMENT NO. <b>SD-73771-001</b>	SHEET NO. <b>2 OF 2</b>																		
DRAFT WHERE APPLICABLE MUST REMAIN WITHIN DIMENSIONS	THIS DRAWING CONTAINS INFORMATION THAT IS PROPRIETARY TO MOLEX INCORPORATED AND SHOULD NOT BE USED WITHOUT WRITTEN PERMISSION																			
REV G																				

LOCATION A



REF. MATERIAL NUMBER 73771-1100  
GUIDE PIN IS IN LOCATION A

LOCATION B



REF. MATERIAL NUMBER 73771-1101  
GUIDE PIN IS IN LOCATION B

### MATERIAL NUMBER ASSIGNMENT

73771- \* \* \* \*

0 = 72-CIRCUIT  
1 = 144-CIRCUIT

1 = 15.05 STACKING HEIGHT  
2 = 6.05 STACKING HEIGHT  
3 = 10.05 STACKING HEIGHT

NUMBER	GUIDE POST LOCATION
00	A
01	B
02	N/A

SEE SHEET 1 EC NO. UDT2000-1073 DRWN: BINGHAM 00/05/08 CHK: REED 00/05/08 APPR: BIXLER 00/05/08	QUALITY SYMBOLS MAJOR $\blacktriangledown = 0$ CRITICAL $\nabla = 0$	GENERAL TOLERANCES: (UNLESS SPECIFIED)		SCALE NO: NE	DESIGN UNITS <input checked="" type="checkbox"/> mm <input type="checkbox"/> INCH	DIMENSIONS: <input type="checkbox"/> mm <input type="checkbox"/> INCH <input checked="" type="checkbox"/> mm ONLY	SHT	REV	
				4 PLACES $\pm 0.$	$\pm .$	DRAWN BY & DATE	THIRD ANGLE PROJECTION <input type="checkbox"/> <input checked="" type="checkbox"/>	REVISION ON CAD ONLY	
				3 PLACES $\pm 0.$	$\pm .$	JBINGHAM 97/03/07		TITLE: SALES ASSEMBLY	
				2 PLACES $\pm 0, N/A$	$\pm .$	97/03/07	HDM BACKPLANE STACKING MODULE		
		1 PLACE $\pm 0, N/A$	$\pm .$	CBIXLER 97/03/07	POLAR/GUIDE OPTION PRESSFIT				
		ANGULAR: $\pm$ $^{\circ}$		APPROVED BY & DATE	MOLEX INCORPORATED				
		DRAFT WHERE APPLICABLE MUST REMAIN WITHIN DIMENSIONS		CAD FILENAME	MATERIAL NO. SEE CHART		DRAWING NO. SD-73771-001	SHEET NO. 2	
				THIS DRAWING CONTAINS INFORMATION THAT IS PROPRIETARY TO MOLEX INCORPORATED AND SHOULD NOT BE USED WITHOUT WRITTEN PERMISSION.				SIZE B	