

M24758/4 90° Conduit Fitting



Conduit & Accessories

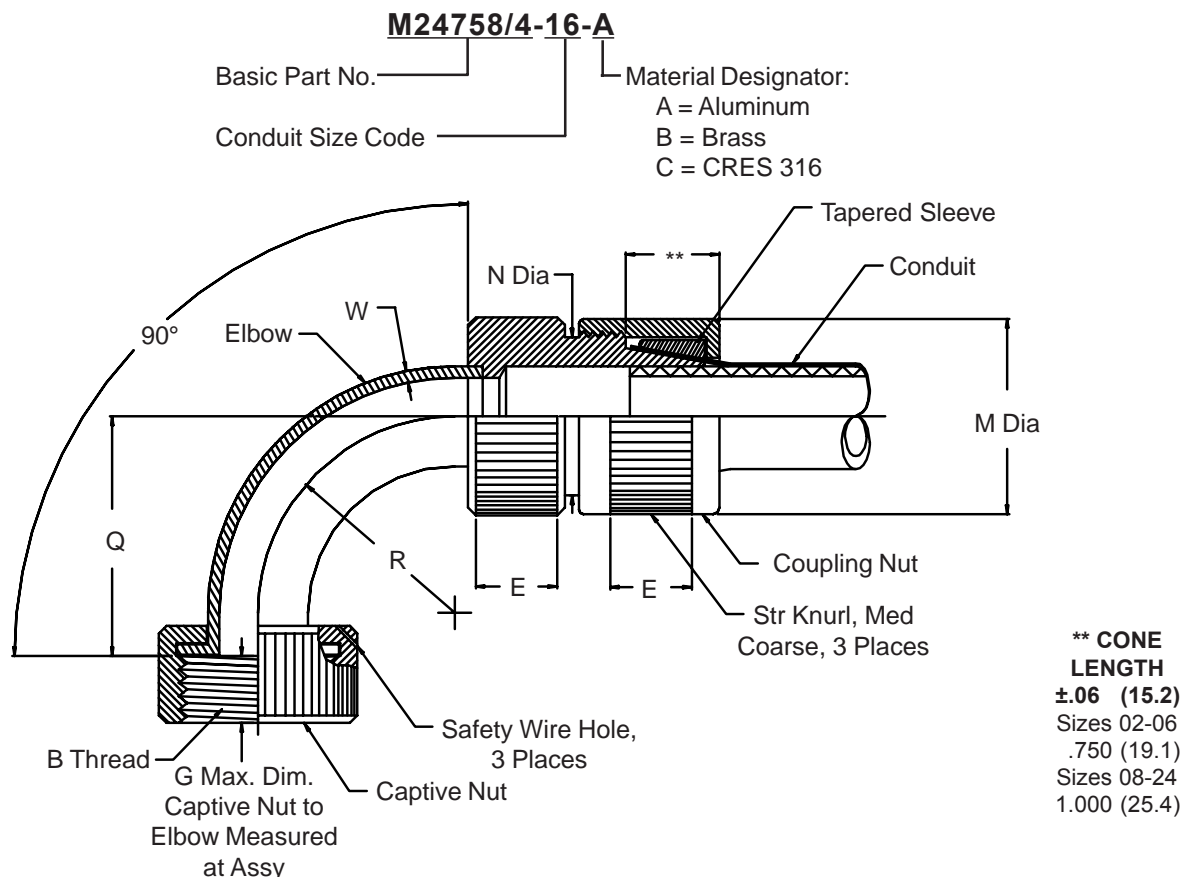


TABLE I

| Conduit Size Code | B Thread (Class 2B) | E Knurl Length ±.06 (15.2) | G +.01 (-02) (.3) | M Dia (Maximum) | N Dia (Maximum) | Q +.06 (15.2) | R Bend Radius ±.06 (15.2) | W Wall Thickness (Minimum) |
|-------------------|---------------------|----------------------------|-------------------|-----------------|-----------------|---------------|---------------------------|----------------------------|
| 02 | 0.438- 28 UNEF | .500 (12.7) | .140 (3.6) | .930 (23.6) | .700 (17.8) | .810 (20.6) | .430 (10.9) | .028 (.7) |
| 03 | 0.563- 24 UNEF | .500 (12.7) | .170 (4.3) | 1.120 (28.4) | .820 (20.8) | .930 (23.6) | .560 (14.2) | .028 (.7) |
| 04 | 0.688- 24 UNEF | .620 (15.7) | .170 (4.3) | 1.250 (31.8) | .970 (24.6) | 1.120 (28.4) | .750 (19.1) | .028 (.7) |
| 05 | 0.813- 20 UNEF | .620 (15.7) | .230 (5.8) | 1.430 (36.3) | 1.120 (28.4) | 1.250 (31.8) | .870 (22.1) | .028 (.7) |
| 06 | 0.938- 20 UNEF | .750 (19.1) | .230 (5.8) | 1.620 (41.1) | 1.220 (31.0) | 1.700 (43.2) | 1.060 (26.9) | .028 (.7) |
| 08 | 1.250- 18 UNEF | .750 (19.1) | .290 (7.4) | 1.810 (46.0) | 1.530 (38.9) | 1.810 (46.0) | 1.370 (34.8) | .028 (.7) |
| 10 | 1.563- 18 UNEF | .870 (22.1) | .290 (7.4) | 2.180 (55.4) | 1.810 (46.0) | 2.120 (53.8) | 1.680 (42.7) | .028 (.7) |
| 12 | 1.875- 16 UN | .870 (22.1) | .350 (8.9) | 2.560 (65.0) | 2.120 (53.8) | 2.500 (63.5) | 2.060 (52.3) | .058 (1.5) |
| 16 | 2.375- 16 UN | 1.000 (25.4) | .350 (8.9) | 3.060 (77.7) | 2.620 (66.5) | 3.120 (79.2) | 2.680 (68.1) | .058 (1.5) |
| 20 | 2.875- 16 UN | 1.000 (25.4) | .350 (8.9) | 3.680 (93.5) | 3.120 (79.2) | 3.250 (82.6) | 3.310 (84.1) | .058 (1.5) |
| 24 | 3.375- 16 UN | 1.000 (25.4) | .350 (8.9) | 4.380(111.3) | 3.620 (91.9) | 4.500(114.3) | 4.500(114.3) | .058 (1.5) |

1. The function of the M24758/4 fitting is to terminate flexible shielding conduit and to provide a standard thread for attaching all M24758/9 through M24758/19 fittings.
2. Metric dimensions (mm) are indicated in parentheses.
3. For complete dimensions see applicable Military Specification.