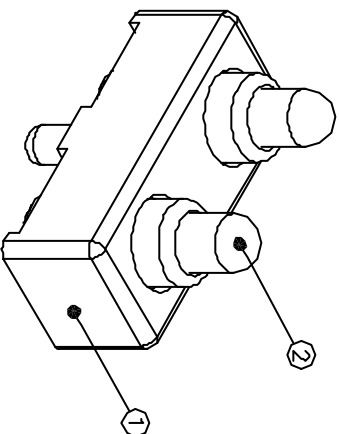
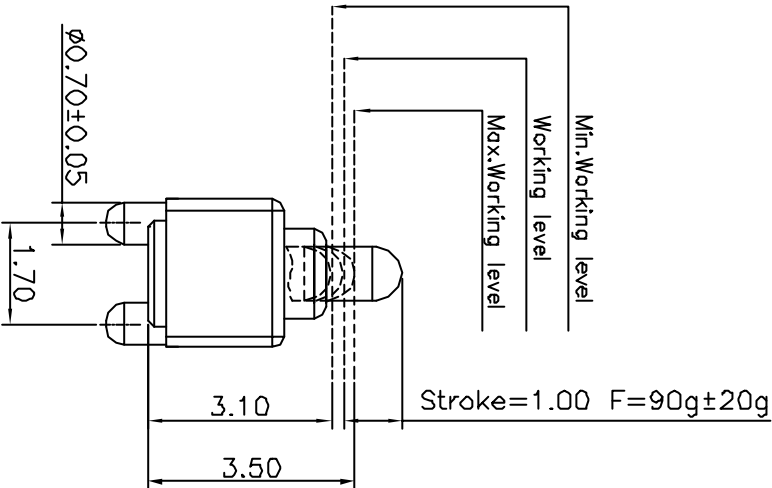
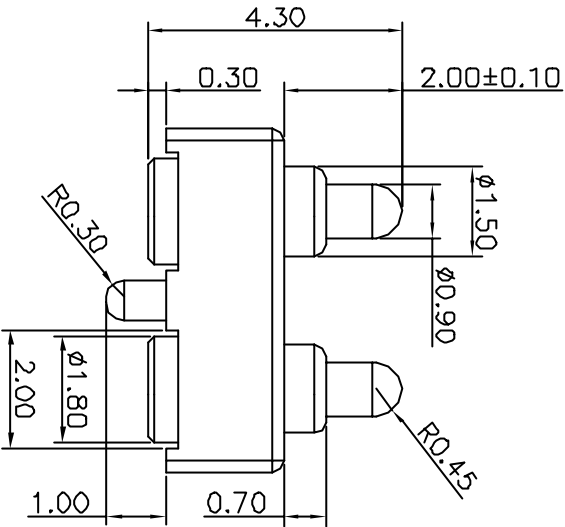
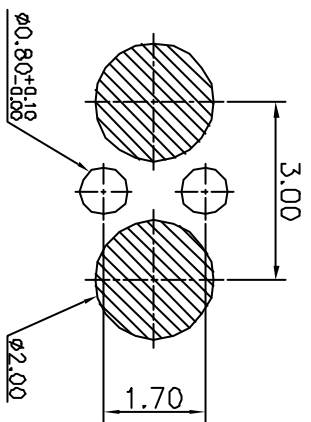


NOTE:
300005MA002GXD0ZL

1. Selective plating
- G1-05u" gold over nickel
- G2-Indicate gold flash
- G3-10u" gold over nickel
- G4-15u" gold over nickel
- G5-30u" gold over nickel

Recommended P.C.B Layout(Component Side)



4			
3			
2	TERMINAL	Phosphor bronze	GOLD PLATED OVER Ni
1	HOUSING	High Temperature BLACK	UL-94V
NO.	DESCRIPTION	MATERIAL	COLOR
			REMARK

SUYIN
CONNECTOR

CUSTOMER TITLE: 3.00mm Pitch Probe Pin BATT.CONN.
COPY

PART NO. 300005MA002GX00ZL

PART NO. (OLD)

DRAWING NO. D 300005MA002GX00ZL

SCALE B:1 UNIT mm A4

ECN NO.	REV	DATE	DESCRIPTION	CHANGE	APPRO.	GENERAL TOLERANCE UNLESS OTHERWISE NOTED	ANGLE	±2°	DRAW
	0		NEW				30 ~	±0.50	DESIGN
							10 ~ 30	±0.30	CHECK
							~ 10	±0.15	APPRO.