

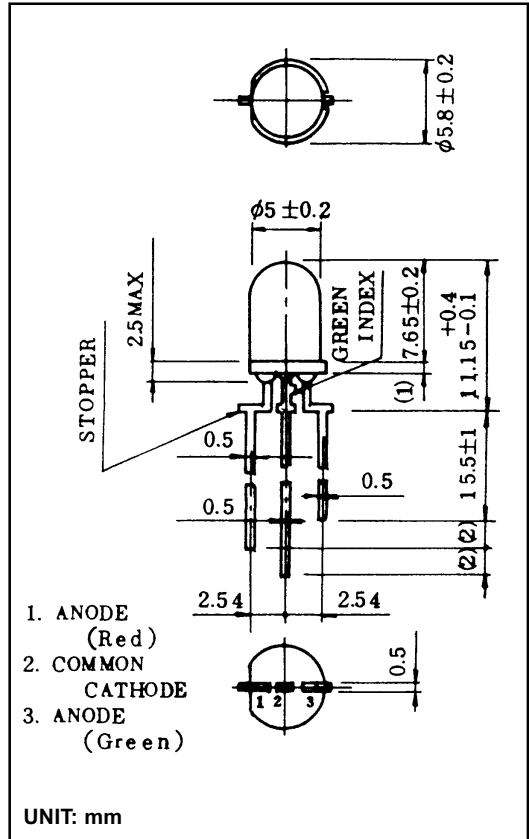
# TLSG116

## Product Features -

- Red/Green Three Lead Device
- T1¼ (5 mm) Package
- White Diffused Lens

### MAXIMUM RATINGS (Ta = 25°C)

| CHARACTERISTIC        | SYMBOL    | RATING    | UNIT |
|-----------------------|-----------|-----------|------|
| Forward Current       | $I_F$     | 25        | mA   |
| Reverse Voltage       | $V_R$     | 4         | V    |
| Power Dissipation     | $P_D$     | 75        | mW   |
| Operating Temperature | $T_{opr}$ | -20 ~ 75  | °C   |
| Storage Temperature   | $T_{stg}$ | -30 ~ 100 | °C   |



### OPTO-ELECTRICAL CHARACTERISTICS (Ta = 25°C)

| CHARACTERISTIC           | SYMBOL | TEST CONDITION      | MIN. | TYP. | MAX. | UNIT          |
|--------------------------|--------|---------------------|------|------|------|---------------|
| Forward Voltage          | Red    | $I_F = 20\text{mA}$ | —    | 2.15 | 2.8  | V             |
|                          | Green  |                     | —    | 2.05 | 2.8  |               |
| Reverse Current          | $I_R$  | $V_R = 4\text{V}$   | —    | —    | 100  | $\mu\text{A}$ |
| Luminous Intensity       | Red    | $I_F = 20\text{mA}$ | 2    | 10   | —    | mcd           |
|                          | Green  |                     | 2    | 7    | —    |               |
| Peak Wavelength          | Red    | $I_F = 20\text{mA}$ | —    | 635  | —    | nm            |
|                          | Green  |                     | —    | 565  | —    |               |
| Spectral Line Half Width | Red    | $I_F = 20\text{mA}$ | —    | 40   | —    | nm            |
|                          | Green  |                     | —    | 25   | —    |               |

## TLSG116 Graphs -

High Performance  
Ultra Bright LEDs

